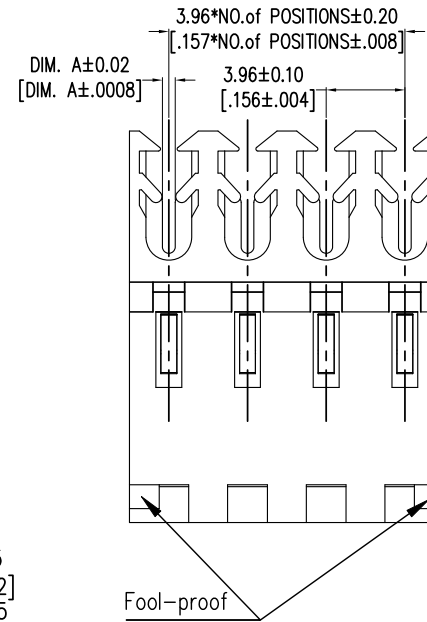
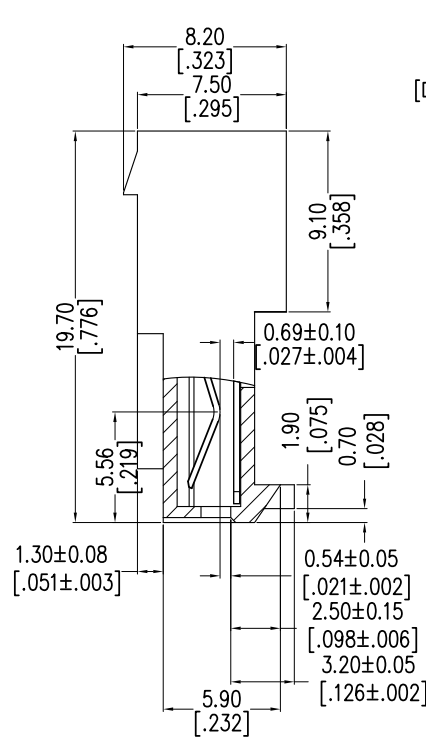
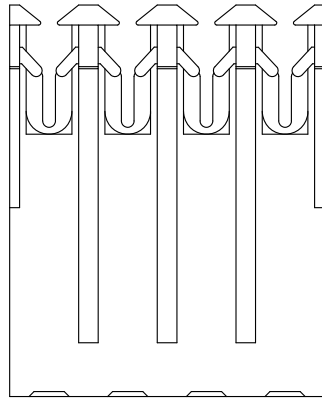


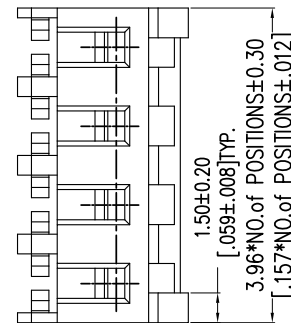
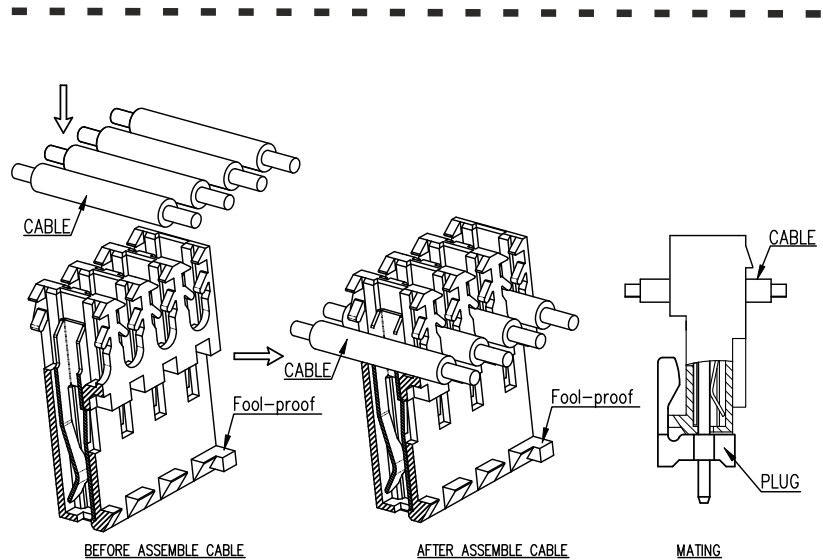
# MAS-CON FEMALE THROUGH, Series 156, 3,96mm, polarized



NOTES:  
 Current Rating: 5.0 - 8.0 AMP  
 Voltage Rating: 300V AC  
 Contact Resistance: 10mΩ max.  
 Withstand Voltage: 2200V AC/DC/Minute  
 Insulation Resistance: 5000MΩ min.  
 Operation Temperature: -55°C to +105°C

Contact Material: Copper Alloy  
 Contact Plating: Sn over Ni (Au on request)  
 Insulator Material: PA66 UL94 V-2

| OPERATION |       |
|-----------|-------|
| X.X       | ±0.40 |
| X.XX      | ±0.25 |
| X.XXX     | ±0.15 |
| Angle     | ± 3°  |
| DIM       | TOL   |



## Sheet 1 of 2

| REV | DATE       | NOTE          | NAME |
|-----|------------|---------------|------|
| 3   | 05.11.2020 | revised       | JAL  |
| 2   | 21.01.2020 | comp. revised | LAD  |
| 1   | 26.11.2019 | issued        | LAD  |

# MAS-CON FEMALE THROUGH, Series 156, 3,96mm, polarized



| ORDERING INFORMATION |           |       |           |                |
|----------------------|-----------|-------|-----------|----------------|
| Part No.             | Wire Size | DIM A | AWG color | Current Rating |
| CTP156F18-02-D E     | 18 AWG    | 0,85  | nature    | 8,0 A          |
| CTP156F18-03-D E     | 18 AWG    | 0,85  | nature    | 8,0 A          |
| CTP156F18-04-D E     | 18 AWG    | 0,85  | nature    | 8,0 A          |
| CTP156F18-05-D E     | 18 AWG    | 0,85  | nature    | 8,0 A          |
| CTP156F18-06-C E     | 18 AWG    | 0,85  | nature    | 8,0 A          |
| CTP156F18-07-C E     | 18 AWG    | 0,85  | nature    | 8,0 A          |
| CTP156F18-08-C E     | 18 AWG    | 0,85  | nature    | 8,0 A          |
| CTP156F18-09-C E     | 18 AWG    | 0,85  | nature    | 8,0 A          |
| CTP156F18-10-C E     | 18 AWG    | 0,85  | nature    | 8,0 A          |
| CTP156F18-11-C E     | 18 AWG    | 0,85  | nature    | 8,0 A          |
| CTP156F18-12-C E     | 18 AWG    | 0,85  | nature    | 8,0 A          |
| CTP156F18-13-C E     | 18 AWG    | 0,85  | nature    | 8,0 A          |
| CTP156F18-14-C E     | 18 AWG    | 0,85  | nature    | 8,0 A          |
| CTP156F18-15-C E     | 18 AWG    | 0,85  | nature    | 8,0 A          |
| CTP156F18-16-C E     | 18 AWG    | 0,85  | nature    | 8,0 A          |
| CTP156F18-17-C E     | 18 AWG    | 0,85  | nature    | 8,0 A          |
| CTP156F18-18-C E     | 18 AWG    | 0,85  | nature    | 8,0 A          |
| CTP156F18-19-C E     | 18 AWG    | 0,85  | nature    | 8,0 A          |
| CTP156F18-20-C E     | 18 AWG    | 0,85  | nature    | 8,0 A          |
| CTP156F18-21-C E     | 18 AWG    | 0,85  | nature    | 8,0 A          |
| CTP156F18-22-C E     | 18 AWG    | 0,85  | nature    | 8,0 A          |
| CTP156F18-23-C E     | 18 AWG    | 0,85  | nature    | 8,0 A          |
| CTP156F18-24-C E     | 18 AWG    | 0,85  | nature    | 8,0 A          |

| ORDERING INFORMATION |           |       |           |                |
|----------------------|-----------|-------|-----------|----------------|
| Part No.             | Wire Size | DIM A | AWG color | Current Rating |
| CTP156F20-02-D E     | 20 AWG    | 0,64  | brown     | 7,5 A          |
| CTP156F20-03-D E     | 20 AWG    | 0,64  | brown     | 7,5 A          |
| CTP156F20-04-D E     | 20 AWG    | 0,64  | brown     | 7,5 A          |
| CTP156F20-05-D E     | 20 AWG    | 0,64  | brown     | 7,5 A          |
| CTP156F20-06-C E     | 20 AWG    | 0,64  | brown     | 7,5 A          |
| CTP156F20-07-C E     | 20 AWG    | 0,64  | brown     | 7,5 A          |
| CTP156F20-08-C E     | 20 AWG    | 0,64  | brown     | 7,5 A          |
| CTP156F20-09-C E     | 20 AWG    | 0,64  | brown     | 7,5 A          |
| CTP156F20-10-C E     | 20 AWG    | 0,64  | brown     | 7,5 A          |
| CTP156F20-11-C E     | 20 AWG    | 0,64  | brown     | 7,5 A          |
| CTP156F20-12-C E     | 20 AWG    | 0,64  | brown     | 7,5 A          |
| CTP156F20-13-C E     | 20 AWG    | 0,64  | brown     | 7,5 A          |
| CTP156F20-14-C E     | 20 AWG    | 0,64  | brown     | 7,5 A          |
| CTP156F20-15-C E     | 20 AWG    | 0,64  | brown     | 7,5 A          |
| CTP156F20-16-C E     | 20 AWG    | 0,64  | brown     | 7,5 A          |
| CTP156F20-17-C E     | 20 AWG    | 0,64  | brown     | 7,5 A          |
| CTP156F20-18-C E     | 20 AWG    | 0,64  | brown     | 7,5 A          |
| CTP156F20-19-C E     | 20 AWG    | 0,64  | brown     | 7,5 A          |
| CTP156F20-20-C E     | 20 AWG    | 0,64  | brown     | 7,5 A          |
| CTP156F20-21-C E     | 20 AWG    | 0,64  | brown     | 7,5 A          |
| CTP156F20-22-C E     | 20 AWG    | 0,64  | brown     | 7,5 A          |
| CTP156F20-23-C E     | 20 AWG    | 0,64  | brown     | 7,5 A          |
| CTP156F20-24-C E     | 20 AWG    | 0,64  | brown     | 7,5 A          |

| ORDERING INFORMATION |           |       |           |                |
|----------------------|-----------|-------|-----------|----------------|
| Part No.             | Wire Size | DIM A | AWG color | Current Rating |
| CTP156F22-02-D E     | 22 AWG    | 0,48  | red       | 6,5 A          |
| CTP156F22-03-D E     | 22 AWG    | 0,48  | red       | 6,5 A          |
| CTP156F22-04-D E     | 22 AWG    | 0,48  | red       | 6,5 A          |
| CTP156F22-05-D E     | 22 AWG    | 0,48  | red       | 6,5 A          |
| CTP156F22-06-C E     | 22 AWG    | 0,48  | red       | 6,5 A          |
| CTP156F22-07-C E     | 22 AWG    | 0,48  | red       | 6,5 A          |
| CTP156F22-08-C E     | 22 AWG    | 0,48  | red       | 6,5 A          |
| CTP156F22-09-C E     | 22 AWG    | 0,48  | red       | 6,5 A          |
| CTP156F22-10-C E     | 22 AWG    | 0,48  | red       | 6,5 A          |
| CTP156F22-11-C E     | 22 AWG    | 0,48  | red       | 6,5 A          |
| CTP156F22-12-C E     | 22 AWG    | 0,48  | red       | 6,5 A          |
| CTP156F22-13-C E     | 22 AWG    | 0,48  | red       | 6,5 A          |
| CTP156F22-14-C E     | 22 AWG    | 0,48  | red       | 6,5 A          |
| CTP156F22-15-C E     | 22 AWG    | 0,48  | red       | 6,5 A          |
| CTP156F22-16-C E     | 22 AWG    | 0,48  | red       | 6,5 A          |
| CTP156F22-17-C E     | 22 AWG    | 0,48  | red       | 6,5 A          |
| CTP156F22-18-C E     | 22 AWG    | 0,48  | red       | 6,5 A          |
| CTP156F22-19-C E     | 22 AWG    | 0,48  | red       | 6,5 A          |
| CTP156F22-20-C E     | 22 AWG    | 0,48  | red       | 6,5 A          |
| CTP156F22-21-C E     | 22 AWG    | 0,48  | red       | 6,5 A          |
| CTP156F22-22-C E     | 22 AWG    | 0,48  | red       | 6,5 A          |
| CTP156F22-23-C E     | 22 AWG    | 0,48  | red       | 6,5 A          |
| CTP156F22-24-C E     | 22 AWG    | 0,48  | red       | 6,5 A          |

| ORDERING INFORMATION |           |       |           |                |
|----------------------|-----------|-------|-----------|----------------|
| Part No.             | Wire Size | DIM A | AWG color | Current Rating |
| CTP156F24-02-D E     | 24 AWG    | 0,34  | black     | 5,0 A          |
| CTP156F24-03-D E     | 24 AWG    | 0,34  | black     | 5,0 A          |
| CTP156F24-04-D E     | 24 AWG    | 0,34  | black     | 5,0 A          |
| CTP156F24-05-D E     | 24 AWG    | 0,34  | black     | 5,0 A          |
| CTP156F24-06-C E     | 24 AWG    | 0,34  | black     | 5,0 A          |
| CTP156F24-07-C E     | 24 AWG    | 0,34  | black     | 5,0 A          |
| CTP156F24-08-C E     | 24 AWG    | 0,34  | black     | 5,0 A          |
| CTP156F24-09-C E     | 24 AWG    | 0,34  | black     | 5,0 A          |
| CTP156F24-10-C E     | 24 AWG    | 0,34  | black     | 5,0 A          |
| CTP156F24-11-C E     | 24 AWG    | 0,34  | black     | 5,0 A          |
| CTP156F24-12-C E     | 24 AWG    | 0,34  | black     | 5,0 A          |
| CTP156F24-13-C E     | 24 AWG    | 0,34  | black     | 5,0 A          |
| CTP156F24-14-C E     | 24 AWG    | 0,34  | black     | 5,0 A          |
| CTP156F24-15-C E     | 24 AWG    | 0,34  | black     | 5,0 A          |
| CTP156F24-16-C E     | 24 AWG    | 0,34  | black     | 5,0 A          |
| CTP156F24-17-C E     | 24 AWG    | 0,34  | black     | 5,0 A          |
| CTP156F24-18-C E     | 24 AWG    | 0,34  | black     | 5,0 A          |
| CTP156F24-19-C E     | 24 AWG    | 0,34  | black     | 5,0 A          |
| CTP156F24-20-C E     | 24 AWG    | 0,34  | black     | 5,0 A          |
| CTP156F24-21-C E     | 24 AWG    | 0,34  | black     | 5,0 A          |
| CTP156F24-22-C E     | 24 AWG    | 0,34  | black     | 5,0 A          |
| CTP156F24-23-C E     | 24 AWG    | 0,34  | black     | 5,0 A          |
| CTP156F24-24-C E     | 24 AWG    | 0,34  | black     | 5,0 A          |

## Sheet 2 of 2

|     |            |               |      |
|-----|------------|---------------|------|
| 3   | 05.11.2020 | revised       | JAL  |
| 2   | 21.01.2020 | comp. revised | LAD  |
| 1   | 26.11.2019 | issued        | LAD  |
| REV | DATE       | NOTE          | NAME |