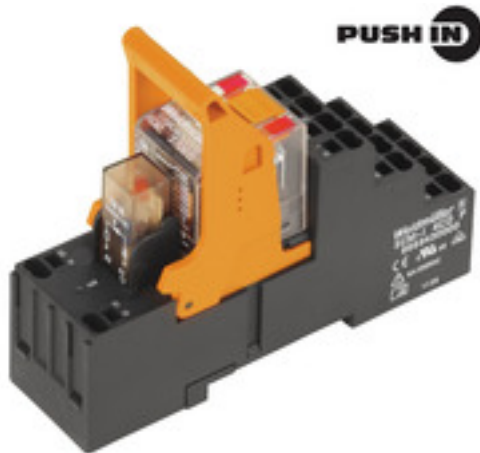


RIDERSERIES RCM RCMKITP-I 115VAC 4CO LD

Weidmüller Interface GmbH & Co. KG
 Klingenbergstraße 26
 D-32758 Detmold
 Germany
 Fon: +49 5231 14-0
 Fax: +49 5231 14-292083
 www.weidmueller.com

Product image



Modular system comprised of:

- relay socket for rail mounting
- LED indicator unit
- retaining clip
- plug-in relay
- markers

General ordering data

| | |
|------------|--|
| Type | RCMKITP-I 115VAC 4CO LD |
| Order No. | 8921140000 |
| Version | RIDERSERIES RCM, Relay module, Number of contacts: 4 CO contact with test button AgNi 90/10, Rated control voltage: 115 V AC, Continuous current: 6 A, PUSH IN |
| GTIN (EAN) | 4032248692354 |
| Qty. | 10 pc(s). |

Creation date April 22, 2020 6:52:37 AM CEST

Catalogue status 17.04.2020 / We reserve the right to make technical changes.

**RIDERSERIES RCM
RCMKITP-I 115VAC 4CO LD**

Weidmüller Interface GmbH & Co. KG
Klingenbergstraße 26
D-32758 Detmold
Germany
Fon: +49 5231 14-0
Fax: +49 5231 14-292083
www.weidmueller.com

Technical data
Dimensions and weights

| | | | |
|------------|---------|-----------------|------------|
| Width | 28 mm | Width (inches) | 1.102 inch |
| Height | 98 mm | Height (inches) | 3.858 inch |
| Depth | 78.3 mm | Depth (inches) | 3.083 inch |
| Net weight | 107.5 g | | |

Temperatures

| | | | |
|-----------------------------|--|-----------------------------|----------------|
| Humidity | 40 °C / 93 % rel. humidity, no condensation | Operating temperature, max. | 70 °C |
| Operating temperature, min. | -40 °C | Storage temperature, max. | 70 °C |
| Storage temperature, min. | -40 °C | Operating temperature | -40 °C...70 °C |
| Storage temperature | -40 °C...70 °C | | |

Environmental Product Compliance

| | |
|------------|----------------|
| REACH SVHC | Lead 7439-92-1 |
|------------|----------------|

Input

| | | | |
|-----------------------|---------------|--------------------------------|------------------|
| Rated control voltage | 115 V AC | Rated current AC | 8.8 mA |
| Power rating | 1.0 VA | Pull-in/drop-out voltage, typ. | 92 V / 34.5 V AC |
| Coil resistance | 4845 Ω ± 12 % | Status indicator | red LED |

Output

| | | | |
|---|---|---|--------------|
| Rated switching voltage | 240 V AC | Max. switching voltage, AC | 240 V |
| Continuous current | 6 A | Inrush current | 12 A / 20 ms |
| AC switching capacity (resistive), max. | 1500 VA | DC switching capacity (resistive), max. | 144 W @ 24 V |
| Switch-on delay | ≤ 15 ms | Switch-off delay | ≤ 10 ms |
| Min. switching power | 1 mA @ 24 V, 10 mA @ 12 V, 100 mA @ 5 V | Max. switching frequency at rated load | 0.1 Hz |

Contact data

| | | | |
|--------------|--|-------------------------|--|
| Contact type | 4 CO contact with test button (AgNi 90/10) | Mechanical service life | AC coil 20 x 10 ⁶ switching cycles, DC coil 30 x 10 ⁶ switching cycles |
|--------------|--|-------------------------|--|

General data

| | | | |
|--------------------------------------|-------|-------------|----------------|
| Rail | TS 35 | Test button | yes (lockable) |
| Mechanical switch position indicator | Yes | Colour | black |

Insulation coordination

| | | | |
|--|--------------------------------|--|--------------------------------|
| Rated voltage | 250 V | Surge voltage category | III |
| Pollution severity | 2 | Insulating material group | IIIa |
| Protection degree | IP20 | Dielectric strength, Input/Output | 2.5 kV _{eff} / 1 Min. |
| Creepage and clearance distance input - output | ≥ 4 mm | Dielectric strength of neighbouring contacts | 2 kV _{eff} / 1 min |
| Dielectric strength of open contact | 1.2 kV _{eff} / 1 min. | Impulse withstand voltage | 5 kV (1.2/50 μs) |

**RIDERSERIES RCM
RCMKITP-I 115VAC 4CO LD**

Weidmüller Interface GmbH & Co. KG
 Klingenbergstraße 26
 D-32758 Detmold
 Germany
 Fon: +49 5231 14-0
 Fax: +49 5231 14-292083
 www.weidmueller.com

Technical data**Further details of approvals / standards**

| | | | |
|-------------------------------|----------------|------------------------------|----------------|
| Standards | DIN EN 50178 | Certificate no. (CSA) relay | 249409-2426937 |
| Certificate no. (CSA) base | 249409-2295474 | Certificate No. (DNVGL) | TAA000011A |
| Certificate no. (cURus) relay | E224238 | Certificate no. (cURus) base | E223759 |

Connection data

| | | | |
|---|----------------------|---|----------------------|
| Wire connection method | PUSH IN | Stripping length, rated connection | 12 mm |
| Clamping range, rated connection | 1.5 mm ² | Clamping range, min. | 0.75 mm ² |
| Clamping range, max. | 1.5 mm ² | Wire cross-section, solid, min. | 0.75 mm ² |
| Wire cross-section, solid, max. | 1.5 mm ² | Wire connection cross-section, finely stranded, min. | 0.75 mm ² |
| Wire connection cross section, finely stranded, max. | 1.5 mm ² | Wire cross-section, finely stranded, max. (AWG) | AWG 16 |
| Wire connection cross-section, finely stranded with wire-end ferrules DIN 46228/4, min. | 0.75 mm ² | Wire connection cross-section, finely stranded with wire-end ferrules DIN 46228/4, max. | 0.75 mm ² |
| Conductor cross-section, flexible, AEH (DIN 46228-1), min. | 0.75 mm ² | Conductor cross-section, flexible, AEH (DIN 46228-1), max. | 1 mm ² |
| Blade size | 0.6 x 3.5 mm | | |

Classifications

| | | | |
|-------------|-------------|------------|-------------|
| ETIM 6.0 | EC001437 | ETIM 7.0 | EC001437 |
| eClass 9.0 | 27-37-16-01 | eClass 9.1 | 27-37-16-01 |
| eClass 10.0 | 27-37-16-01 | UNSPSC | 30-21-19-17 |

Approvals

Approvals



ROHS Conform

Downloads

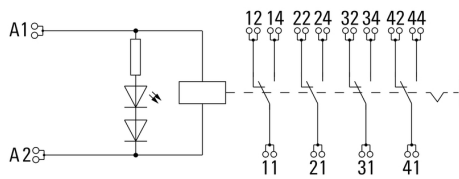
| | |
|---|---|
| Approval/Certificate/Document of Conformity | EU Konformitätserklärung / EU Declaration of Conformity |
| Brochure/Catalogue | CAT 4.2 ELECTR 18/19 EN |
| Engineering Data | EPLAN, WSCAD, Zuken E3.S |
| Engineering Data | STEP |

**RIDERSERIES RCM
RCMKITP-I 115VAC 4CO LD**

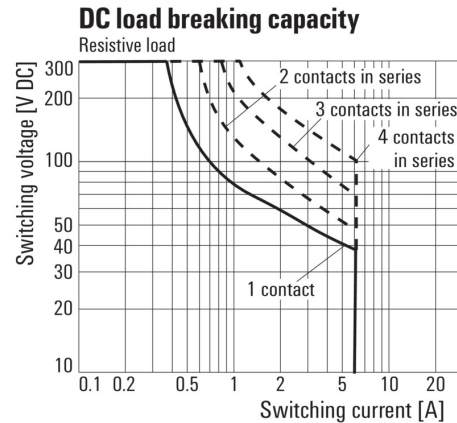
Weidmüller Interface GmbH & Co. KG
 Klingenbergstraße 26
 D-32758 Detmold
 Germany
 Fon: +49 5231 14-0
 Fax: +49 5231 14-292083
 www.weidmueller.com

Drawings

Wiring diagram

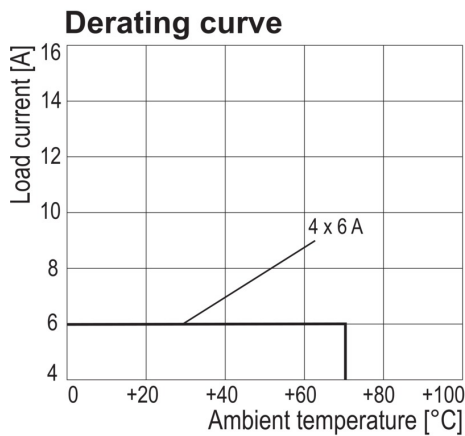


Graph



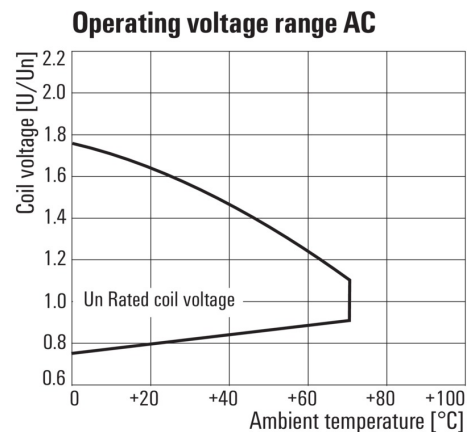
DC load limit curve
Resistive load

Graph



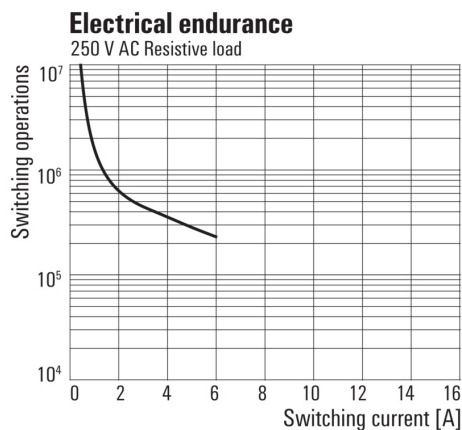
Derating curve
Relay in combination with base

Graph



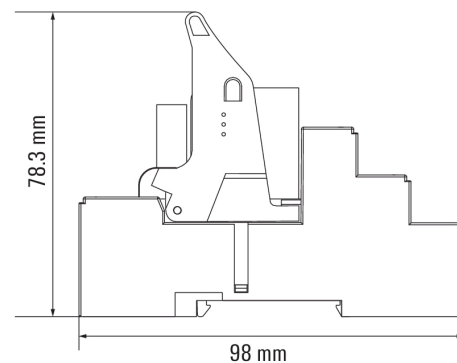
AC operational voltage range

Graph



Electrical service life 250 V AC resistive load
250 V AC resistive load

Dimensional drawing

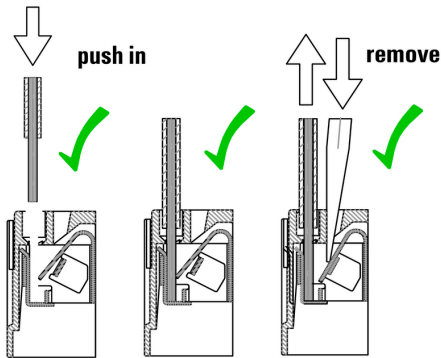


**RIDERSERIES RCM
RCMKITP-I 115VAC 4CO LD**

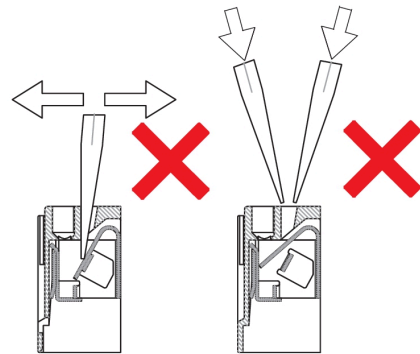
Weidmüller Interface GmbH & Co. KG
 Klingenbergstraße 26
 D-32758 Detmold
 Germany
 Fon: +49 5231 14-0
 Fax: +49 5231 14-292083
 www.weidmueller.com

Drawings

Correct handling PUSH IN connection



Wrong handling PUSH IN connection



Recommended screwdriver

