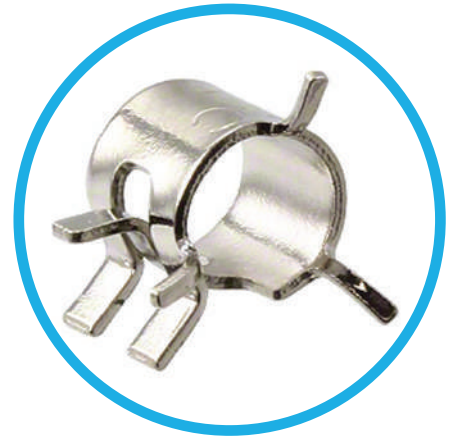




RTN_250 Spring Retainer for LPC and LPCR Series Light Pipe



Spring Retainer for LPC and LPCR Series
for use in high vibration environments

Key Features

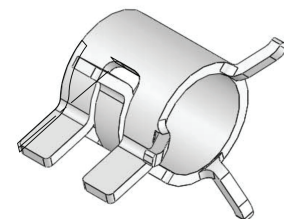
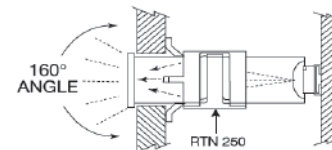
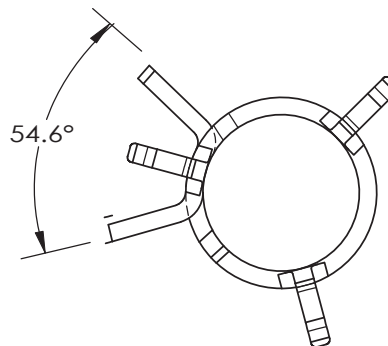
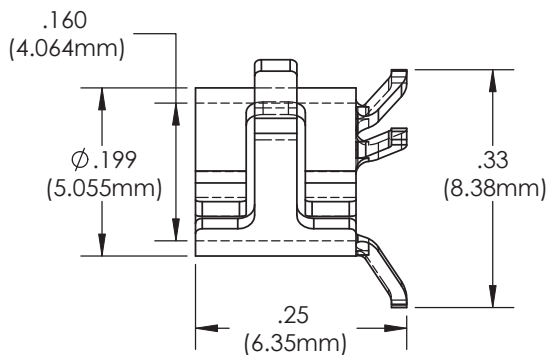
- fits the LPC and LPCR Light Pipes
- secure and uniform placement of the light pipe to the panel
- provides a reliable solution for high-vibration environments
- field-proven design

Product Specifications

Material	
RTN_250	Spring Steel Finish: Nickel Plate

Installation Specifications	
outer dimension	$\varnothing 0.33" \pm 0.005$ (8.38mm ± 0.127)
length	$0.25" \pm 0.005$ (6.35mm ± 0.127)

Dimensions



Dimensions in inches (mm)

Ordering Data

RTN_250

For light pipes with length
from 0.500" to 2.000"

Compliance and Approvals

