



AST | AST4000

TE Internal #: 11191443-00

TE Internal Description: 120 PSI, 1/4MNPT, 4-20mA, Cable, 2ft., 4-20mA / Voltage Pressure Transducer

[View on TE.com >](#)

Sensors > Pressure Sensors > Pressure Transducers > 4-20mA / Voltage Pressure Transducer



Pressure Sensor Type: **Industrial Pressure Transducer**

Pressure: **8.27 bar [120 psi]**

Pressure Type: **Gauge**

Supply Voltage Range: **10 – 28 V**

Output Signal Type: **4 – 20 mA**

[All 4-20mA / Voltage Pressure Transducer \(53\)](#)

Features

Industry Standards

Compatible With Agency/Standards Products	UL
---	----

Body Features

Port Material	17-4PH
---------------	--------

Other

Sensor Options	No Option
Port Fitting	1/4 MNPT
EU RoHS Compliance	Compliant with Exemptions

Product Type Features

Pressure Sensor Type	Industrial Pressure Transducer
Pressure Type	Gauge

Configuration Features

Electrical Connection	Cable 2 ft
-----------------------	------------

Electrical Characteristics

Supply Voltage Range	10 – 28 V
----------------------	-----------

Usage Conditions

Pressure	8.27 bar[120 psi]
----------	-------------------



Operation/Application

Output Signal Type	4 – 20 mA
Proof Pressure Range	2X, Min
Pressure Accuracy	±0.5% FSO

Product Compliance

[For compliance documentation, visit the product page on TE.com>](#)

EU RoHS Directive 2011/65/EU	Compliant with Exemptions
EU ELV Directive 2000/53/EC	Not Yet Reviewed
China RoHS 2 Directive MIIT Order No 32, 2016	Restricted Materials Above Threshold
EU REACH Regulation (EC) No. 1907/2006	Current ECHA Candidate List: JUNE 2024 (241) Not Yet Reviewed
Halogen Content	Not Yet Reviewed for halogen content
Solder Process Capability	Not reviewed for solder process capability

Product Compliance Disclaimer

This information is provided based on reasonable inquiry of our suppliers and represents our current actual knowledge based on the information they provided. This information is subject to change. The part numbers that TE has identified as EU RoHS compliant have a maximum concentration of 0.1% by weight in homogenous materials for lead, hexavalent chromium, mercury, PBB, PBDE, DBP, BBP, DEHP, DIBP, and 0.01% for cadmium, or qualify for an exemption to these limits as defined in the Annexes of Directive 2011/65/EU (RoHS2). Finished electrical and electronic equipment products will be CE marked as required by Directive 2011/65/EU. Components may not be CE marked. Additionally, the part numbers that TE has identified as EU ELV compliant have a maximum concentration of 0.1% by weight in homogenous materials for lead, hexavalent chromium, and mercury, and 0.01% for cadmium, or qualify for an exemption to these limits as defined in the Annexes of Directive 2000/53/EC (ELV). Regarding the REACH Regulations, TE’s information on SVHC in articles for this part number is still based on the European Chemical Agency (ECHA) ‘Guidance on requirements for substances in articles’(Version: 2, April 2011), applying the 0.1% weight on weight concentration threshold at the finished product level. TE is aware of the European Court of Justice ruling of September 10th, 2015 also known as O5A (Once An Article Always An Article) stating that, in case of ‘complex object’, the threshold for a SVHC must be applied to both the product as a whole and simultaneously to each of the articles forming part of its composition. TE has evaluated this ruling based on the new ECHA “Guidance on requirements for substances in articles” (June 2017, version 4.0) and will be updating its statements accordingly.

Also in the Series | **AST4000**




Industrial Pressure Transducers(53)



Pressure Transducers(53)

Customers Also Bought



TE Part #CAT-AM71-CH8172
AMP SUPERSEAL 1.5MM,
CONNECTOR HOUSING



TE Part #206070-8
CABLE CLAMP KIT #17



TE Part #DT06-2S
PLG, 2P, GRY, N



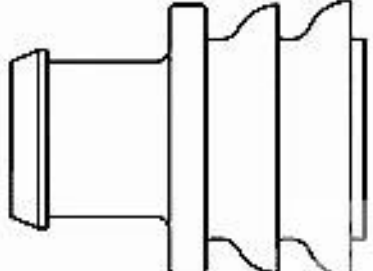
TE Part #CAT-D487-W416
Wedgelocks: DEUTSCH DT



TE Part #DT04-2P
REC, 2P, GRY, N



TE Part #CAT-D48-ST273
DEUTSCH Solid Contacts



TE Part #281934-2
SINGLE WIRE SEAL

Documents

CAD Files

3D PDF

3D

Customer View Model

[ENG_CVM_CVM_11191443-00_A.2d_dxf.zip](#)

English

Customer View Model

[ENG_CVM_CVM_11191443-00_A.3d_igs.zip](#)

English

Customer View Model

[ENG_CVM_CVM_11191443-00_A.3d_stp.zip](#)

English

By downloading the CAD file I accept and agree to the [Terms and Conditions](#) of use.

Datasheets & Catalog Pages

AST4000 Datasheet

English