



[AST](#) | [AST44LP](#)

TE Internal #: 11191142-00

TE Internal Description: 2 PSI, 1/4MNPT, 4-20mA, M12x1, 316L, Ven

Low Pressure IS Pressure Transducer

[View on TE.com >](#)

Sensors > Pressure Sensors > Pressure Transducers > Low Pressure IS Pressure Transducer



Pressure Sensor Type: **Industrial Pressure Transducer**

Pressure: **.137 bar [2 psi]**

Pressure Type: **Gauge**

Hazardous Area Approval: **Intrinsically Safe**

Supply Voltage Range: **10 – 28 V**

[All Low Pressure IS Pressure Transducer \(14\)](#)

Features

Body Features

| | |
|---------------|------|
| Port Material | 316L |
|---------------|------|

Other

| | |
|--------------------|-----------|
| Sensor Options | No Option |
| Port Fitting | 1/4 MNPT |
| EU RoHS Compliance | Compliant |

Industry Standards

| | |
|---|--------------------|
| Compatible With Agency/Standards Products | UL |
| Hazardous Area Approval | Intrinsically Safe |

Product Type Features

| | |
|----------------------|--------------------------------|
| Pressure Sensor Type | Industrial Pressure Transducer |
| Pressure Type | Gauge |

Configuration Features

| | |
|-----------------------|-------|
| Electrical Connection | M12x1 |
|-----------------------|-------|

Electrical Characteristics

| | |
|----------------------|-----------|
| Supply Voltage Range | 10 – 28 V |
|----------------------|-----------|

Usage Conditions

| | |
|----------|-----------------|
| Pressure | .137 bar[2 psi] |
|----------|-----------------|

Operation/Application

| | |
|--------------------|-----------|
| Output Signal Type | 4 – 20 mA |
|--------------------|-----------|

| | |
|----------------------|---------|
| Proof Pressure Range | 2X, Min |
|----------------------|---------|

| | |
|-------------------|------------|
| Pressure Accuracy | ±0.25% FSO |
|-------------------|------------|

Product Compliance

[For compliance documentation, visit the product page on TE.com>](#)

| | |
|------------------------------|-----------|
| EU RoHS Directive 2011/65/EU | Compliant |
|------------------------------|-----------|

| | |
|-----------------------------|--------------|
| EU ELV Directive 2000/53/EC | Out of Scope |
|-----------------------------|--------------|

| | |
|---|---|
| China RoHS 2 Directive MIIT Order No 32, 2016 | No Restricted Materials Above Threshold |
|---|---|

| | |
|--|--|
| EU REACH Regulation (EC) No. 1907/2006 | Current ECHA Candidate List: JUNE 2024 (241) Not Yet Reviewed |
|--|--|

| | |
|-----------------|--------------------------------------|
| Halogen Content | Not Yet Reviewed for halogen content |
|-----------------|--------------------------------------|

| | |
|---------------------------|--|
| Solder Process Capability | Not reviewed for solder process capability |
|---------------------------|--|

Product Compliance Disclaimer

This information is provided based on reasonable inquiry of our suppliers and represents our current actual knowledge based on the information they provided. This information is subject to change. The part numbers that TE has identified as EU RoHS compliant have a maximum concentration of 0.1% by weight in homogenous materials for lead, hexavalent chromium, mercury, PBB, PBDE, DBP, BBP, DEHP, DIBP, and 0.01% for cadmium, or qualify for an exemption to these limits as defined in the Annexes of Directive 2011/65/EU (RoHS2). Finished electrical and electronic equipment products will be CE marked as required by Directive 2011/65/EU. Components may not be CE marked. Additionally, the part numbers that TE has identified as EU ELV compliant have a maximum concentration of 0.1% by weight in homogenous materials for lead, hexavalent chromium, and mercury, and 0.01% for cadmium, or qualify for an exemption to these limits as defined in the Annexes of Directive 2000/53/EC (ELV). Regarding the REACH Regulations, TE's information on SVHC in articles for this part number is still based on the European Chemical Agency (ECHA) 'Guidance on requirements for substances in articles' (Version: 2, April 2011), applying the 0.1% weight on weight concentration threshold at the finished product level. TE is aware of the European Court of Justice ruling of September 10th, 2015 also known as O5A (Once An Article Always An Article) stating that, in case of 'complex object', the threshold for a SVHC must be applied to both the product as a whole and simultaneously to each of the articles forming part of its composition. TE has evaluated this ruling based on the new ECHA "Guidance on requirements for substances in articles" (June 2017, version 4.0) and will be updating its statements accordingly.

Also in the Series | [AST44LP](#)



Industrial Pressure Transducers(14)



Pressure Transducers(14)

Customers Also Bought



TE Part #CAT-AM71-CH8172
AMP SUPERSEAL 1.5MM,
CONNECTOR HOUSING



TE Part #206070-8
CABLE CLAMP KIT #17



TE Part #DT06-2S
PLG, 2P, GRY, N



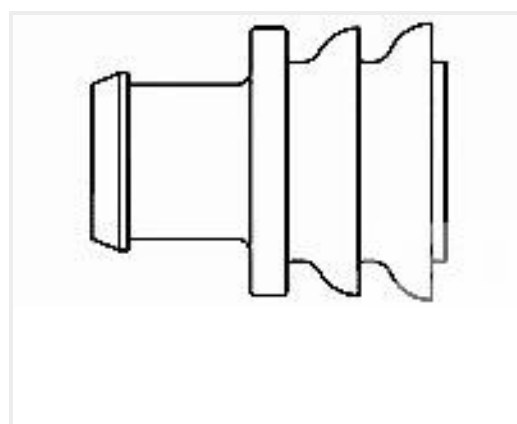
TE Part #CAT-D487-W416
Wedgelocks: DEUTSCH DT



TE Part #DT04-2P
REC, 2P, GRY, N



TE Part #CAT-D48-ST273
DEUTSCH Solid Contacts



TE Part #281934-2
SINGLE WIRE SEAL

Documents

CAD Files

3D PDF

3D

Customer View Model

[ENG_CVM_CVM_11191142-00_A.2d_dxf.zip](#)

English

Customer View Model

[ENG_CVM_CVM_11191142-00_A.3d_igs.zip](#)

English

Customer View Model

[ENG_CVM_CVM_11191142-00_A.3d_stp.zip](#)

English

By downloading the CAD file I accept and agree to the [Terms and Conditions](#) of use.

Datasheets & Catalog Pages

[AST44LP Datasheet](#)

English

AST44LPA00002P4Y1000

2 PSI, 1/4MNPT, 4-20mA, M12x1, 316L, Ven

