



[AST](#) | [AST4400](#)

TE Internal #: 11106999-00

Industrial Pressure Transducer, Gauge, 4 – 20 mA Output Signal, 2X, Min Proof Pressure Range, AST4400

[View on TE.com >](#)

Sensors > Pressure Sensors > Pressure Transducers > Intrinsically Safe Pressure Transducer



Pressure Sensor Type: **Industrial Pressure Transducer**

Pressure Type: **Gauge**

Hazardous Area Approval: **Intrinsically Safe**

Output Signal Type: **4 – 20 mA**

Pressure: **2.068 bar [30 psi]**

[All Intrinsically Safe Pressure Transducer \(49\)](#)

Features

Product Type Features

Pressure Sensor Type	Industrial Pressure Transducer
Pressure Type	Gauge

Configuration Features

Electrical Connection	Cable 6 ft
-----------------------	------------

Electrical Characteristics

Supply Voltage Range	10 – 28 V
----------------------	-----------

Body Features

Port Material	17-4PH
---------------	--------

Usage Conditions

Pressure	2.068 bar[30 psi]
Operating Temperature Range	-40 – 80 °C[-40 – 176 °F]

Operation/Application

Output Signal Type	4 – 20 mA
Proof Pressure Range	2X, Min
Pressure Accuracy	±0.25% FSO

Industry Standards



Compatible With Agency/Standards Products	UL
Hazardous Area Approval	Intrinsically Safe

Other

Sensor Options	No Option
Port Fitting	1/4 MNPT

Product Compliance

[For compliance documentation, visit the product page on TE.com>](#)

EU RoHS Directive 2011/65/EU	Compliant with Exemptions
EU ELV Directive 2000/53/EC	Compliant with Exemptions
China RoHS 2 Directive MIIT Order No 32, 2016	有害物质含量超出标准 Restricted Substance(s) Above Threshold

EU REACH Regulation (EC) No. 1907/2006	<p>Current ECHA Candidate List: JUNE 2025 (250)</p> <p>Candidate List Declared Against: JUNE 2025 (250)</p> <p>SVHC > Threshold:</p> <p>Pb (10% in Component Part)</p> <p>2-methyl-1-(4-methylthiophenyl)-2-morpholinopropan-1-one (3.9% in 17980139677)</p> <p>Article Safe Usage Statements: Do not eat, drink or smoke when using this product. Wash thoroughly after handling. Recycle if possible and dispose of the article by following all applicable governmental regulations relevant to your geographic location.</p>
--	--

Halogen Content	Not Yet Reviewed for halogen content
Solder Process Capability	Not reviewed for solder process capability

Product Compliance Disclaimer

This information is provided based on reasonable inquiry of our suppliers and represents our current actual knowledge based on the information they provided. This information is subject to change. The part numbers that TE has identified as EU RoHS compliant have a maximum concentration of 0.1% by weight in homogenous materials for lead, hexavalent chromium, mercury, PBB, PBDE, DBP, BBP, DEHP, DIBP, and 0.01% for cadmium, or qualify for an exemption to these limits as defined in the Annexes of Directive 2011/65/EU (RoHS2). Finished electrical and electronic equipment products will be CE marked as required by Directive 2011/65/EU. Components may not be CE marked. Additionally, the part numbers that TE has identified as EU ELV compliant have a maximum concentration of 0.1% by weight in homogenous materials for lead, hexavalent chromium, and mercury, and 0.01% for cadmium, or qualify for an exemption to these limits as defined in the Annexes of Directive 2000/53/EC (ELV). Regarding the REACH Regulations, TE’s information on SVHC in articles for this part number is still based on the European Chemical Agency (ECHA) ‘Guidance on requirements for substances in articles’(Version: 2, April 2011), applying the 0.1% weight on weight concentration threshold at the finished product level. TE is aware of the European Court of Justice ruling of September 10th, 2015 also known as O5A (Once An Article Always An Article) stating that, in case of ‘complex object’, the threshold for a SVHC must be applied to both the product as a whole and simultaneously to each of the articles forming part of its composition. TE has evaluated this ruling based on the new ECHA “Guidance on requirements for substances in articles” (June 2017, version 4.0) and will be updating its statements accordingly.



Industrial Pressure Transducers(49)



Pressure Transducers(49)

Customers Also Bought



TE Part #CAT-D48-ST273
DEUTSCH Connector Solid Contacts



TE Part #DT04-2P
REC, 2P, GRY, N



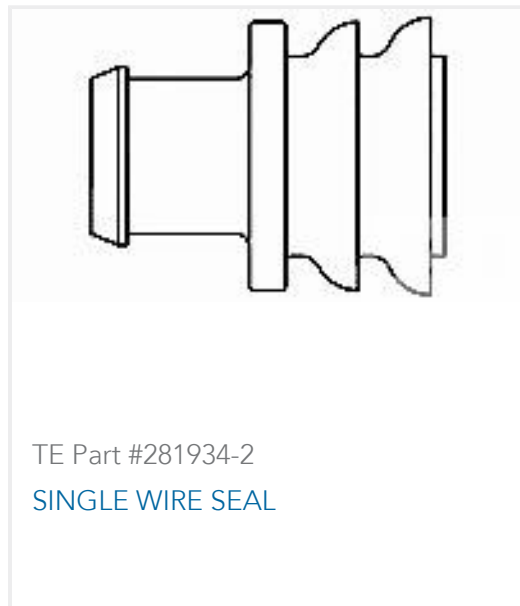
TE Part #CAT-D487-W416
Wedgelocks: DEUTSCH DT



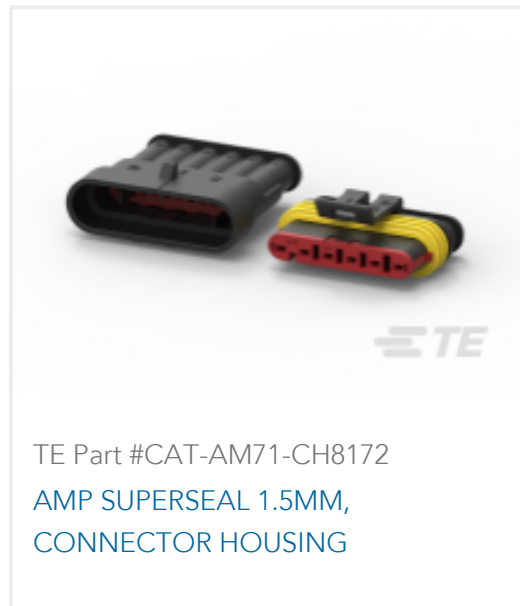
TE Part #DT06-2S
PLG, 2P, GRY, N



TE Part #114017-ZZ
SEALING PLUG, SIZE 12/16, WHT



TE Part #281934-2
SINGLE WIRE SEAL



TE Part #CAT-AM71-CH8172
AMP SUPERSEAL 1.5MM,
CONNECTOR HOUSING

Documents

CAD Files

[3D PDF](#)

[3D](#)

[Customer View Model](#)

[ENG_CVM_CVM_11106999-00_A.2d_dxf.zip](#)

English

[Customer View Model](#)

[ENG_CVM_CVM_11106999-00_A.3d_igs.zip](#)

English

[Customer View Model](#)

[ENG_CVM_CVM_11106999-00_A.3d_stp.zip](#)

English

By downloading the CAD file I accept and agree to the [Terms and Conditions](#) of use.

Datasheets & Catalog Pages

[AST4400 Datasheet](#)

English

AST4400A00030P4C0000

Industrial Pressure Transducer, Gauge, 4 – 20 mA Output Signal, 2X, Min Proof
Pressure Range, AST4400

