



Sensors > Position Sensors > Potentiometer Sensors > Cable Actuated Position Sensors > 4 to 20mA NEMA 6 String Potentiometer



Position Sensor Product Type: **Velocity Limiting System**

Full Stroke Range: 13970 mm [550 in]

Output Signal Type: 4 – 20 mA

Accuracy: $\pm .12\%$ of FS

Repeatability: $.05\%$ of FS

[All 4 to 20mA NEMA 6 String Potentiometer \(1174\)](#)

Features

Product Type Features

Position Sensor Product Type	Velocity Limiting System
------------------------------	--------------------------

Body Features

Case Material	Aluminum
---------------	----------

Dimensions

Full Stroke Range	13970 mm[550 in]
-------------------	------------------

Usage Conditions

Accuracy	$\pm .12\%$ of FS
Operating Temperature Range	-40 – 90 °C[-40 – 194 °F]

Operation/Application

Output Signal Type	4 – 20 mA
--------------------	-----------

Industry Standards

IP Rating	IP65
Hazardous Area Approval	None

Other

Repeatability	$.05\%$ of FS
Measuring Cable	.031 Inch Dia Bare Stainless Steel

Product Compliance

[For compliance documentation, visit the product page on TE.com>](#)

EU RoHS Directive 2011/65/EU	Not Compliant
EU ELV Directive 2000/53/EC	Out of Scope
China RoHS 2 Directive MIIT Order No 32, 2016	有害物质含量超出标准 Restricted Substance(s) Above Threshold
EU REACH Regulation (EC) No. 1907/2006	<p>Current ECHA Candidate List: JUNE 2025 (250) Candidate List Declared Against: JAN 2025 (247) SVHC > Threshold: 2-methyl-1-(4-methylthiophenyl)-2-morpholinopropan-1-one (5.3% in 20973981313) Cd (3.5% in Component Part) Methanone, (diphenylphosphinyl)(2,4,6-trimethylphenyl)- (1% in Component Part) Pb (70% in Component Part)</p> <p>Article Safe Usage Statements: Use personal protective equipment as required. Do not eat, drink or smoke when using this product. Wash thoroughly after handling. Do not handle until all safety precautions have been read and understood. Recycle if possible and dispose of the article by following all applicable governmental regulations relevant to your geographic location.</p>
Halogen Content	Not Yet Reviewed for halogen content
Solder Process Capability	Not reviewed for solder process capability

Product Compliance Disclaimer

This information is provided based on reasonable inquiry of our suppliers and represents our current actual knowledge based on the information they provided. This information is subject to change. The part numbers that TE has identified as EU RoHS compliant have a maximum concentration of 0.1% by weight in homogenous materials for lead, hexavalent chromium, mercury, PBB, PBDE, DBP, BBP, DEHP, DIBP, and 0.01% for cadmium, or qualify for an exemption to these limits as defined in the Annexes of Directive 2011/65/EU (RoHS2). Finished electrical and electronic equipment products will be CE marked as required by Directive 2011/65/EU. Components may not be CE marked. Additionally, the part numbers that TE has identified as EU ELV compliant have a maximum concentration of 0.1% by weight in homogenous materials for lead, hexavalent chromium, and mercury, and 0.01% for cadmium, or qualify for an exemption to these limits as defined in the Annexes of Directive 2000/53/EC (ELV). Regarding the REACH Regulations, TE's information on SVHC in articles for this part number is still based on the European Chemical Agency (ECHA) 'Guidance on requirements for substances in articles' (Version: 2, April 2011), applying the 0.1% weight on weight concentration threshold at the finished product level. TE is aware of the European Court of Justice ruling of September 10th, 2015 also known as O5A (Once An Article Always An Article) stating that, in case of 'complex object', the threshold for a SVHC must be applied to both the product as a whole and simultaneously to each of the articles forming part of its composition. TE has evaluated this ruling based on the new ECHA "Guidance on requirements for substances in articles" (June 2017, version 4.0) and will be updating its statements accordingly.

Also in the Series | [MEAS PT9](#)



Cable Actuated Position Sensors(395)

Customers Also Bought



TE Part #CAT-D48-ST273
DEUTSCH Connector Solid Contacts



TE Part #DT04-2P
REC, 2P, GRY, N



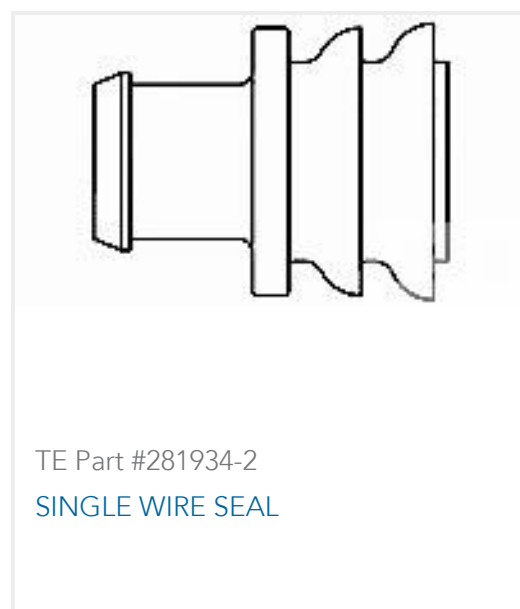
TE Part #CAT-D487-W416
Wedgelocks: DEUTSCH DT



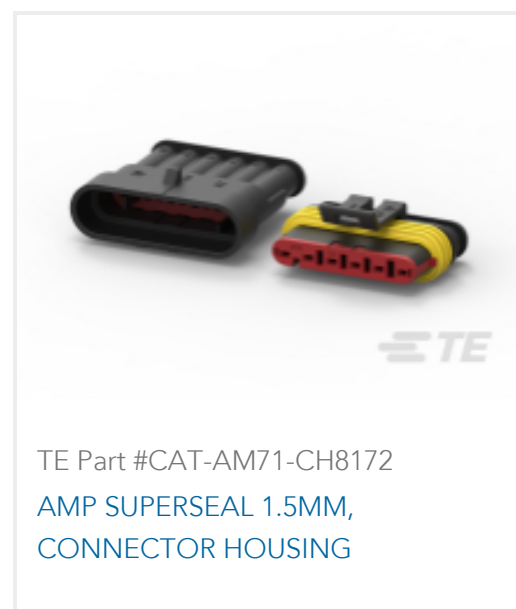
TE Part #DT06-2S
PLG, 2P, GRY, N



TE Part #206070-8
CABLE CLAMP KIT #17



TE Part #281934-2
SINGLE WIRE SEAL



TE Part #CAT-AM71-CH8172
AMP SUPERSEAL 1.5MM,
CONNECTOR HOUSING

Documents

Datasheets & Catalog Pages

[PT9420](#)

English