



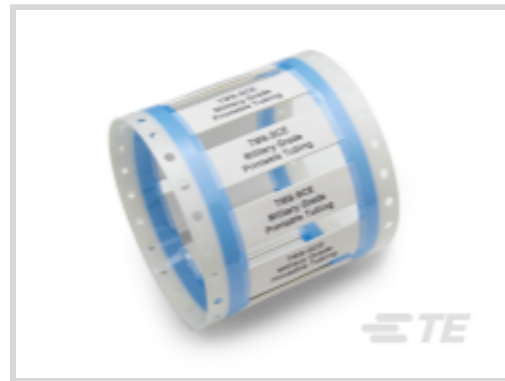
**TMS-SCE**

TE Internal #: 5414710001

TMS-SCE, Printable Tubing, Ladder Tubing Type, Military Tubing Grade, Shrink Ratio 3:1, White, Markers per Sleeve 1, Sleeve Length 50 mm [2 in]

[View on TE.com >](#)

Identification & Labeling > Printable Tubing > TMS-SCE MILITARY GRADE SLEEVES



Tubing Type: **Ladder**

Tubing Grade: **Military**

Shrink Ratio: **3:1**

Color: **White**

Markers per Sleeve: **1**

[All TMS-SCE MILITARY GRADE SLEEVES \(83\)](#)

**Features**

**Product Type Features**

Tubing Type	Ladder
Tubing Grade	Military

**Body Features**

Shrink Ratio	3:1
Color	White
Markers per Sleeve	1

**Dimensions**

Sleeve Length	50 mm[2 in]
Supplied Diameter	38.1 mm[1.5 in]
Recovered Inside Diameter	19 mm[.75 in]
Compatible Cable Diameter	20.9 – 33. mm[.825 – 1.3 in]

**Usage Conditions**

Operating Temperature Range	-55 – 135 °C[-67 – 275 °F]
-----------------------------	----------------------------

**Operation/Application**

Recommended Ribbon	See Printer Ribbon Matrix
--------------------	---------------------------



### Printer/Label Features

Recommended Printer	See Printer Ribbon Matrix
Printer Technology	Thermal Transfer

### Packaging Features

Packaging Quantity	250
--------------------	-----

### Product Compliance

[For compliance documentation, visit the product page on TE.com>](#)

EU RoHS Directive 2011/65/EU	Compliant
EU ELV Directive 2000/53/EC	Compliant
China RoHS 2 Directive MIIT Order No 32, 2016	No Restricted Materials Above Threshold
EU REACH Regulation (EC) No. 1907/2006	Current ECHA Candidate List: JAN 2020 (205) Candidate List Declared Against: JAN 2020 (205) Does not contain REACH SVHC
EU REACH Regulation (EC) No. 1907/2006	Current ECHA Candidate List: JAN 2020 (205) Candidate List Declared Against: JAN 2020 (205)
Halogen Content	Not Low Halogen - contains Br or Cl > 900 ppm.
Solder Process Capability	Not applicable for solder process capability

#### Product Compliance Disclaimer

This information is provided based on reasonable inquiry of our suppliers and represents our current actual knowledge based on the information they provided. This information is subject to change. The part numbers that TE has identified as EU RoHS compliant have a maximum concentration of 0.1% by weight in homogenous materials for lead, hexavalent chromium, mercury, PBB, PBDE, DBP, BBP, DEHP, DIBP, and 0.01% for cadmium, or qualify for an exemption to these limits as defined in the Annexes of Directive 2011/65/EU (RoHS2). Finished electrical and electronic equipment products will be CE marked as required by Directive 2011/65/EU. Components may not be CE marked. Additionally, the part numbers that TE has identified as EU ELV compliant have a maximum concentration of 0.1% by weight in homogenous materials for lead, hexavalent chromium, and mercury, and 0.01% for cadmium, or qualify for an exemption to these limits as defined in the Annexes of Directive 2000/53/EC (ELV). Regarding the REACH Regulations, TE's information on SVHC in articles for this part number is still based on the European Chemical Agency (ECHA) 'Guidance on requirements for substances in articles' (Version: 2, April 2011), applying the 0.1% weight on weight concentration threshold at the finished product level. TE is aware of the European Court of Justice ruling of September 10th, 2015 also known as O5A (Once An Article Always An Article) stating that, in case of 'complex object', the threshold for a SVHC must be applied to both the product as a whole and simultaneously to each of the articles forming part of its composition. TE has evaluated this ruling based on the new ECHA "Guidance on requirements for substances in articles" (June 2017, version 4.0) and will be updating its statements accordingly.

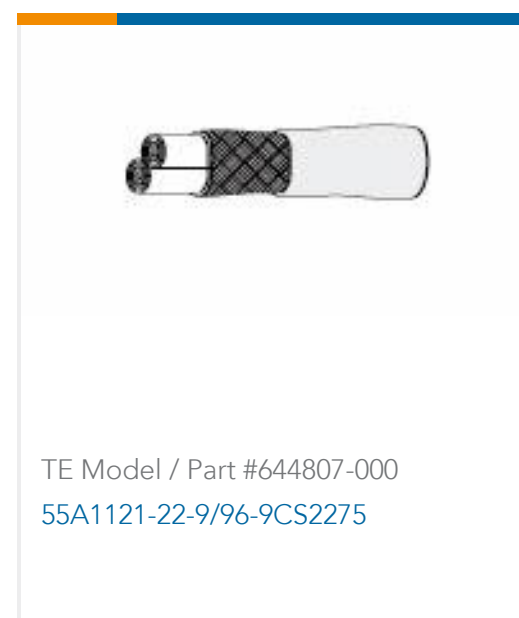
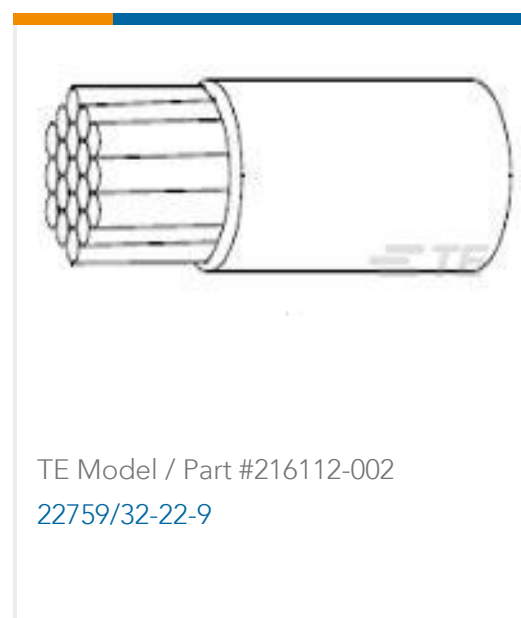
### Compatible Parts



## Also in the Series | TMS-SCE



## Customers Also Bought





## Documents

### Product Drawings

[TMS-SCE-1-1/2-2.0-9](#)

English

---

### Datasheets & Catalog Pages

[TMS-SCE Heat Shrinkable Sleeves](#)

English

[IDENTIFICATION SELECTION GUIDE](#)

English

---

### Product Specifications

[Specification for TMS-SCE, TMS-CT and TTMS products](#)

English

[IDENTIFICATION PRINTER PRODUCT RIBBON MATRIX](#)

English