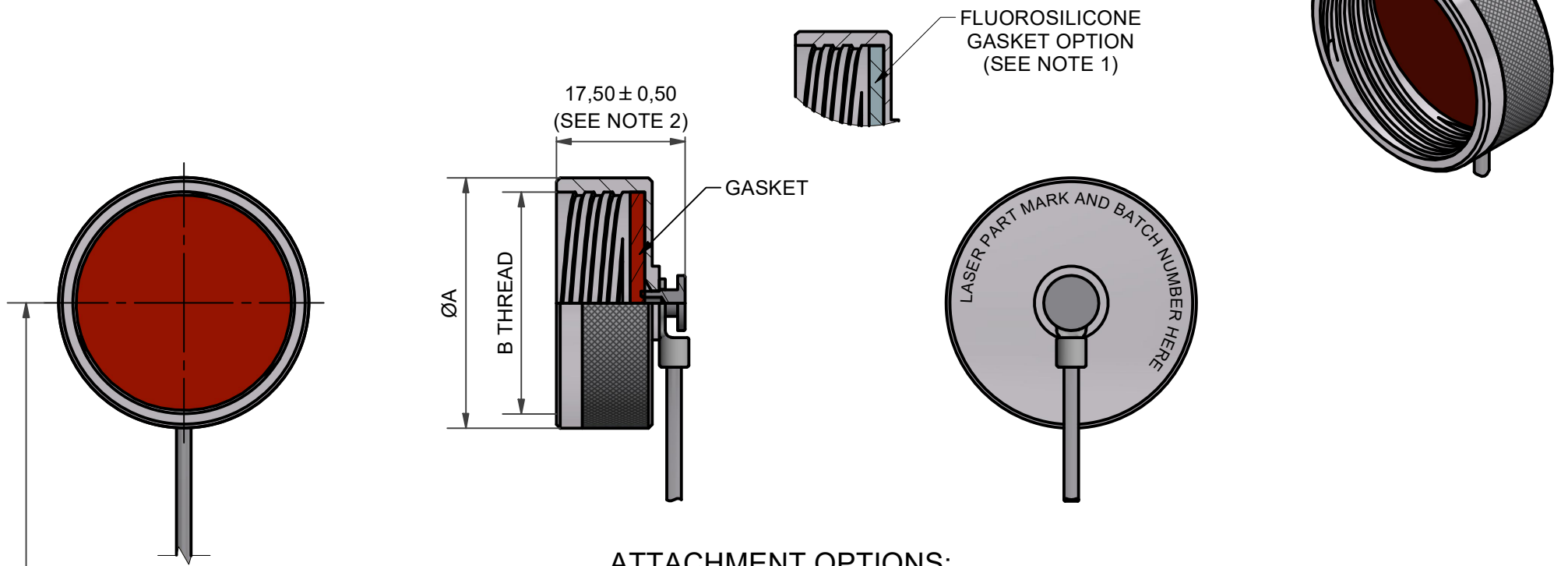
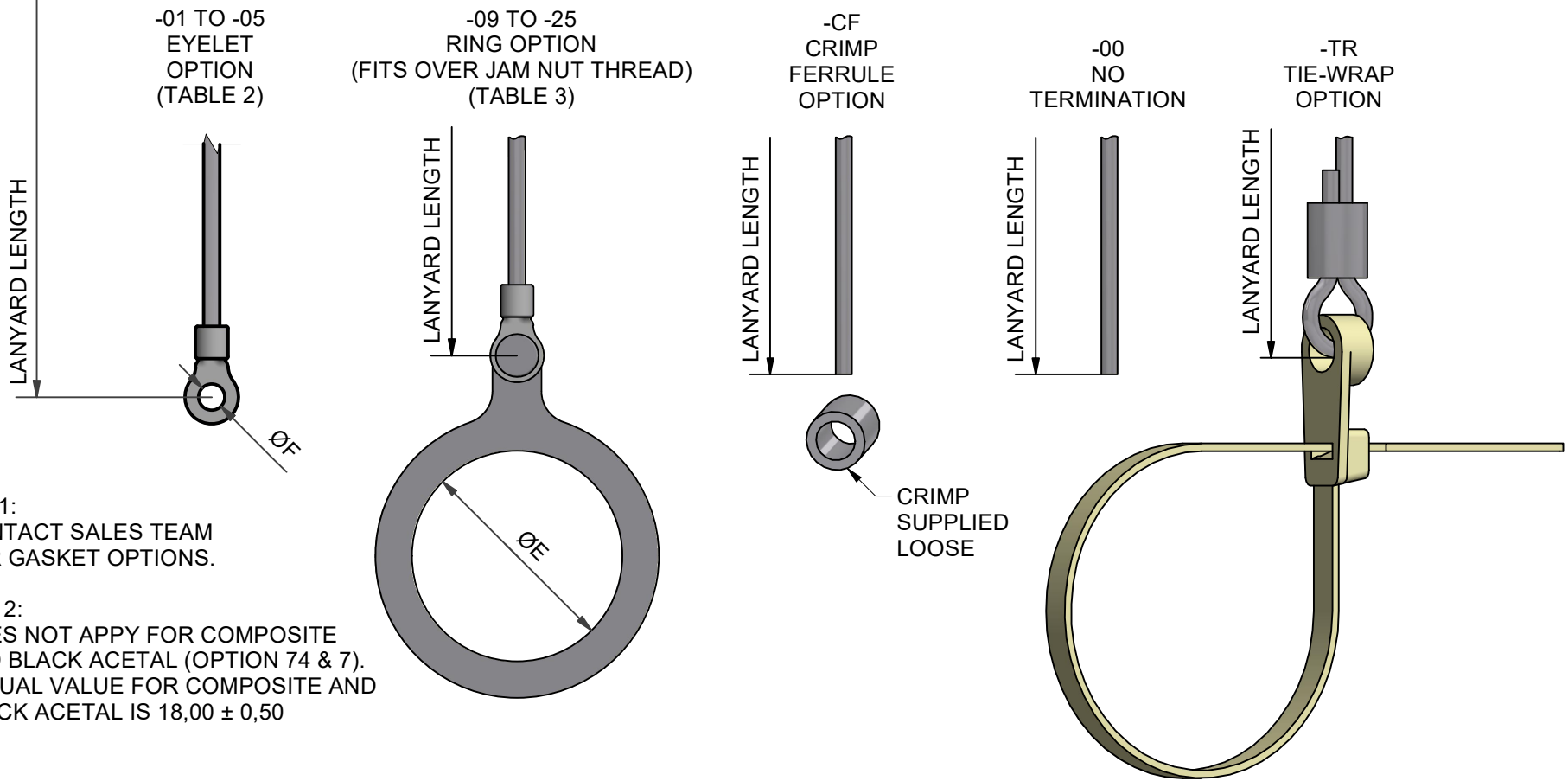


WITH ATTACHMENT



ATTACHMENT OPTIONS:



NOTE 1:
CONTACT SALES TEAM
FOR GASKET OPTIONS.

NOTE 2:
DOES NOT APPLY FOR COMPOSITE
AND BLACK ACETAL (OPTION 74 & 7).
ACTUAL VALUE FOR COMPOSITE AND
BLACK ACETAL IS 18,00 ± 0,50

OMIT FOR NO ATTACHMENT
(SEE SHEET 2)

100P160-17-1-C-WR4-17

SERIES _____
 INSERT 'F' FOR _____
 FLUROSILICONE GASKET
 OMIT FOR STANDARD
 SILICONE GASKET
 SHELL SIZE (TABLE 1) _____
 MATERIAL (TABLE 5) _____
 FINISH (TABLE 6) _____
 LANYARD TYPE (TABLE 4) _____
 LANYARD LENGTH (IN INCHES) _____
 +1,0"/-0" TOLERANCE
 ATTACHMENT (SEE ABOVE) _____

<table border="1"> <tr> <td>DRAWN</td> <td>W.RUST</td> <td>DATE</td> <td>12/02/2014</td> </tr> <tr> <td>SALES APPR</td> <td>M.PAUL</td> <td>DATE</td> <td>12/02/2014</td> </tr> <tr> <td>DESIGN APPR</td> <td>K.SHEPPARD</td> <td>DATE</td> <td>12/02/2014</td> </tr> <tr> <td>PROD APPR</td> <td>K.SMITH</td> <td>DATE</td> <td>12/04/2014</td> </tr> <tr> <td>QUAL APPR</td> <td>P.REES</td> <td>DATE</td> <td>12/04/2014</td> </tr> <tr> <td>ISSUE</td> <td>REV.</td> <td>DCR</td> <td>26424</td> </tr> <tr> <td>AB</td> <td></td> <td></td> <td></td> </tr> </table>	DRAWN	W.RUST	DATE	12/02/2014	SALES APPR	M.PAUL	DATE	12/02/2014	DESIGN APPR	K.SHEPPARD	DATE	12/02/2014	PROD APPR	K.SMITH	DATE	12/04/2014	QUAL APPR	P.REES	DATE	12/04/2014	ISSUE	REV.	DCR	26424	AB				<p>3RD ANGLE PROJECTION NOT TO SCALE</p> <p>UNLESS OTHERWISE SPECIFIED ALL DIMENSIONS IN MILLIMETRES</p> <p>GENERAL TOL LINEAR +/-0,25MM ANGULAR +/- 1°</p> <p>MATERIAL SEE PART NUMBER BREAKDOWN</p> <p>FINISH SEE PART NUMBER BREAKDOWN</p>	<p>PART NUMBER:</p> <p>100P160 SERIES</p> <p>TITLE:</p> <p>RECEPTACLE PROTECTION CAP</p> <p>ASSY USED ON: MIL-DTL-38999 SERIES III</p> <p>THIS DRAWING IS COPYRIGHT AND THE PROPERTY OF POLAMCO LTD IT MUST NOT BE COPIED, USED FOR MANUFACTURE OR OTHERWISE DISCLOSED WITHOUT PRIOR WRITTEN CONSENT OF THE COMPANY.</p>	<p>POLAMCO LTD, WESTON LOCK, LOWER BRISTOL ROAD BATH BA2 1EP</p> <p>SHT 1</p> <p>DRAWING NO: P10523</p>
DRAWN	W.RUST	DATE	12/02/2014																												
SALES APPR	M.PAUL	DATE	12/02/2014																												
DESIGN APPR	K.SHEPPARD	DATE	12/02/2014																												
PROD APPR	K.SMITH	DATE	12/04/2014																												
QUAL APPR	P.REES	DATE	12/04/2014																												
ISSUE	REV.	DCR	26424																												
AB																															

TABLE 1

SHELL SIZE	ØA MAX	B THREAD
09	21,0	0.625-0.1P-0.3L-TS
11	24,5	0.750-0.1P-0.3L-TS
13	28,0	0.875-0.1P-0.3L-TS
15	30,0	1.000-0.1P-0.3L-TS
17	34,0	1.1875-0.1P-0.3L-TS
19	37,0	1.250-0.1P-0.3L-TS
21	40,0	1.375-0.1P-0.3L-TS
23	43,0	1.500-0.1P-0.3L-TS
25	47,0	1.625-0.1P-0.3L-TS

TABLE 2

EYELET REF.	ØF
01	3,2
02	3,7
03	4,3
04	5,3
05	6,4

TABLE 3

RING REF.	ØE MAX
09	18,0
11	21,4
13	25,8
15	28,8
17	32,0
19	35,0
21	38,3
23	41,7
25	44,6

TABLE 4

CODE	LANYARD TYPE
WR	NYLON COVERED (CLEAR) STAINLESS STEEL WIRE ROPE
TC	TEFLON COVERED (CLEAR) STAINLESS STEEL WIRE ROPE
WG	TEFLON COVERED (OLIVE DRAB) STAINLESS STEEL WIRE ROPE
WB	TEFLON COVERED (BLACK) STAINLESS STEEL WIRE ROPE
WRB	PVC COVERED (BLACK) STAINLESS STEEL WIRE ROPE
LC	LINK CHAIN
BK	BLACK CORD
VGB	1,5mm BLACK POLYESTER CORD EQV. TO DIN83330-E1,5
R	OLIVE DRAB POLYESTER CORD
NB	OLIVE DRAB NYLON CORD
NK	BLACK NYLON CORD

TABLE 5

CODE	MATERIAL	GASKET MATERIAL
1	ALUMINIUM	SILICONE
2	NICKEL ALUMINIUM BRONZE	SILICONE
4	STAINLESS STEEL	SILICONE
7	BLACK ACETAL	SILICONE
74	COMPOSITE	SILICONE
46	STAINLESS STEEL 316	SILICONE

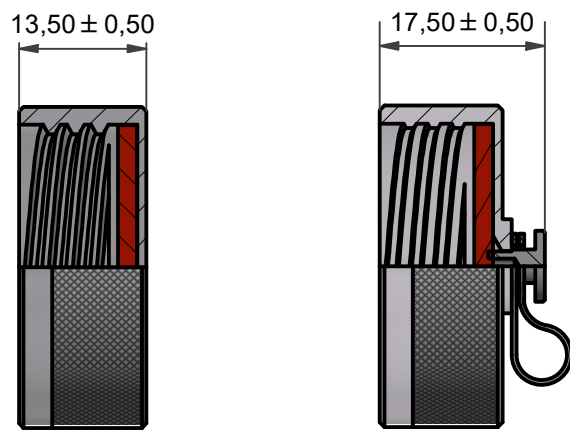
LIST NOT EXHAUSTIVE, SEE MATERIAL TABLE FOR OTHER OPTIONS

TABLE 6

PLATING CODE	PLATING DESCRIPTION	ROHS COMPLIANT	ENVIRONMENT PROTECTION/ CONDUCTIVITY
B	CADMIUM, OLIVE DRAB (5-10 MICRONS) QQ-P-416, TYPE II, CLASS 3 OVER ELECTROLESS NICKEL	YES (SUBJECT TO EXEMPTION)	CONDUCTIVE 500 HRS SALT SPRAY. EXEMPTION APPLICABLE FOR AEROSPACE / MILITARY APPLICATIONS. SEE ROHS WEBSITES FOR MORE INFORMATION.
C	ELECTROLESS NICKEL, AMS-C-26074, CLASS 4, GRADE B	YES	CONDUCTIVE
J	PASSIVATE, PER QQ-P-35 OR MI-S-5002	YES	ROHS COMPLIANT
U	UNPLATED CLEAN FINISH NOT SHOT BLASTED	YES	CONDUCTIVE
Z	SHOT BLAST FOR NON-REFLECTIVE FINISH	YES	CONDUCTIVE
ZB	ZINC COBALT (5-10 MICRONS) OVER ELECTROLESS NICKEL (2,5-7,5 MICRONS) WITH A OLIVE DRAB CHROMATE CONVERSION	YES	CONDUCTIVE 350 HRS SALT SPRAY
ZN	ZINC NICKEL BLACK PASSIVATE (5-12 MICRONS) OVER ELECTROLESS NICKEL (8-12 MICRONS), ASTM B 841 CLASS 1	YES (SUBJECT TO TESTING)	ROHS COMPLIANT (SUBJECT TO TESTING)

LIST NOT EXHAUSTIVE, SEE PLATING TABLE FOR OTHER OPTIONS

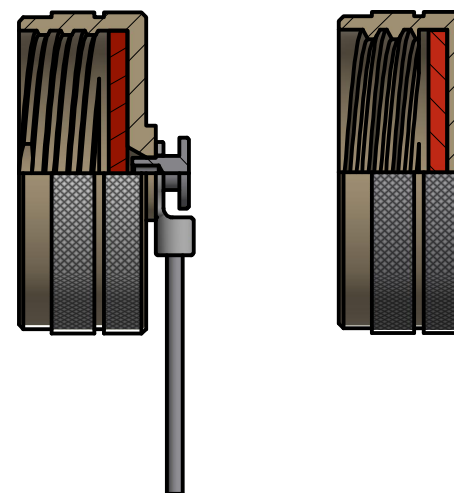
WITHOUT ATTACHMENT



100P160-17-1-C
NO ATTACHMENT VERSION

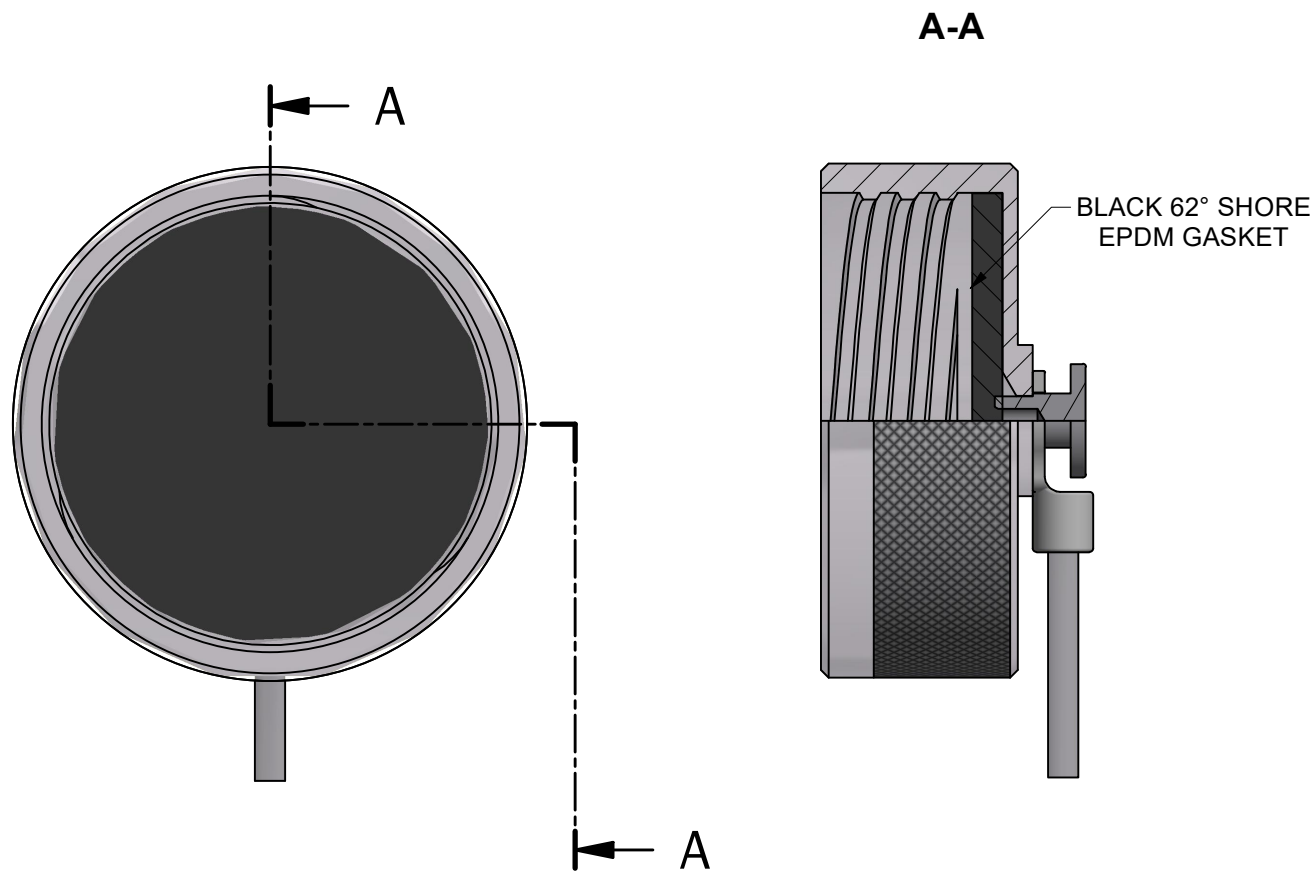
100P160-17-1-C-EO
EYELET ONLY VERSION
(NO LANYARD)

COMPOSITE VERSION



<table border="1"> <tr><td>DRAWN</td><td>W.RUST</td><td>DATE</td><td>12/02/2014</td></tr> <tr><td>SALES APPR</td><td>M.PAUL</td><td>DATE</td><td>12/02/2014</td></tr> <tr><td>DESIGN APPR</td><td>K.SHEPPARD</td><td>DATE</td><td>12/02/2014</td></tr> <tr><td>PROD APPR</td><td>K.SMITH</td><td>DATE</td><td>12/04/2014</td></tr> <tr><td>QUAL APPR</td><td>P.REES</td><td>DATE</td><td>12/04/2014</td></tr> <tr><td>ISSUE AB</td><td>REV.</td><td>DCR</td><td>26424</td></tr> <tr><td colspan="2">NCAGE CODE U5792</td><td>WEIGHT</td><td></td></tr> </table>	DRAWN	W.RUST	DATE	12/02/2014	SALES APPR	M.PAUL	DATE	12/02/2014	DESIGN APPR	K.SHEPPARD	DATE	12/02/2014	PROD APPR	K.SMITH	DATE	12/04/2014	QUAL APPR	P.REES	DATE	12/04/2014	ISSUE AB	REV.	DCR	26424	NCAGE CODE U5792		WEIGHT		<p>3RD ANGLE PROJECTION NOT TO SCALE</p> <p>UNLESS OTHERWISE SPECIFIED ALL DIMENSIONS IN MILLIMETRES GENERAL TOL LINEAR +/-0,25MM ANGULAR +/- 1°</p> <p>MATERIAL SEE PART NUMBER BREAKDOWN</p> <p>FINISH SEE PART NUMBER BREAKDOWN</p>	<p>PART NUMBER: 100P160 SERIES</p> <p>TITLE: PROTECTION CAP ASSEMBLY</p> <p>ASSY USED ON: MIL-DTL-38999 SERIES III</p> <p>THIS DRAWING IS COPYRIGHT AND THE PROPERTY OF POLAMCO LTD IT MUST NOT BE COPIED, USED FOR MANUFACTURE OR OTHERWISE DISCLOSED WITHOUT PRIOR WRITTEN CONSENT OF THE COMPANY.</p>	<p>Polamco</p> <p>TE connectivity</p>	<p>POLAMCO LTD, WESTON LOCK, LOWER BRISTOL ROAD BATH BA2 1EP</p> <p>SHT 2</p> <p>DRAWING NO: P10523</p>
DRAWN	W.RUST	DATE	12/02/2014																													
SALES APPR	M.PAUL	DATE	12/02/2014																													
DESIGN APPR	K.SHEPPARD	DATE	12/02/2014																													
PROD APPR	K.SMITH	DATE	12/04/2014																													
QUAL APPR	P.REES	DATE	12/04/2014																													
ISSUE AB	REV.	DCR	26424																													
NCAGE CODE U5792		WEIGHT																														

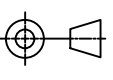


OPTIONAL GASKET:



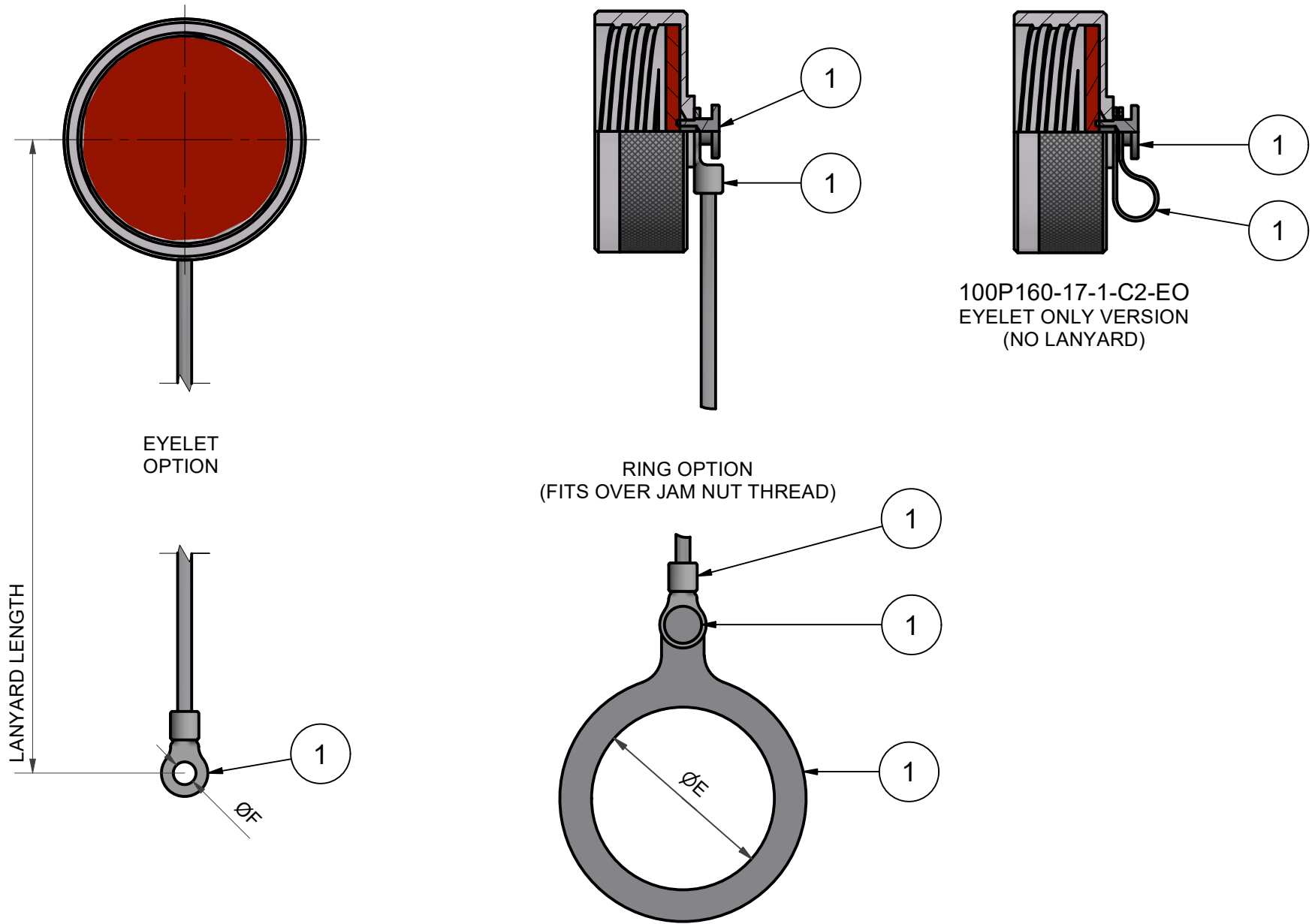
OMIT FOR NO ATTACHMENT
(SEE SHEET 2)

100P160-17-1-C-WR4-17-EPDM

SERIES
SHELL SIZE (TABLE 1)
MATERIAL (TABLE 5)
FINISH (TABLE 6)
LANYARD TYPE (TABLE 4)
LANYARD LENGTH (IN INCHES)
+1,0"/-0" TOLERANCE
ATTACHMENT (SEE ABOVE)
EPDM GASKET

<table border="1"> <tr> <td>DRAWN</td> <td>W.RUST</td> <td>DATE</td> <td>12/02/2014</td> </tr> <tr> <td>SALES APPR</td> <td>M.PAUL</td> <td>DATE</td> <td>12/02/2014</td> </tr> <tr> <td>DESIGN APPR</td> <td>K.SHEPPARD</td> <td>DATE</td> <td>12/02/2014</td> </tr> <tr> <td>PROD APPR</td> <td>K.SMITH</td> <td>DATE</td> <td>12/04/2014</td> </tr> <tr> <td>QUAL APPR</td> <td>P.REES</td> <td>DATE</td> <td>12/04/2014</td> </tr> </table>	DRAWN	W.RUST	DATE	12/02/2014	SALES APPR	M.PAUL	DATE	12/02/2014	DESIGN APPR	K.SHEPPARD	DATE	12/02/2014	PROD APPR	K.SMITH	DATE	12/04/2014	QUAL APPR	P.REES	DATE	12/04/2014	 <p>3RD ANGLE PROJECTION NOT TO SCALE</p>	<p>PART NUMBER:</p> <p style="text-align: center;">100P160 SERIES</p>	 <p>Polamco</p> 
DRAWN	W.RUST	DATE	12/02/2014																				
SALES APPR	M.PAUL	DATE	12/02/2014																				
DESIGN APPR	K.SHEPPARD	DATE	12/02/2014																				
PROD APPR	K.SMITH	DATE	12/04/2014																				
QUAL APPR	P.REES	DATE	12/04/2014																				
<p>UNLESS OTHERWISE SPECIFIED ALL DIMENSIONS IN MILLIMETRES</p> <p>GENERAL TOL LINEAR +/-0,25MM ANGULAR +/- 1°</p> <p>MATERIAL SEE PART NUMBER BREAKDOWN</p> <p>FINISH SEE PART NUMBER BREAKDOWN</p>	<p>TITLE:</p> <p style="text-align: center;">RECEPTACLE PROTECTION CAP</p>	<p>ASSY USED ON: MIL-DTL-38999 SERIES III</p>																					
<table border="1"> <tr> <td>ISSUE</td> <td>REV.</td> <td>DCR</td> <td></td> </tr> <tr> <td>AB</td> <td></td> <td>26424</td> <td></td> </tr> </table>	ISSUE	REV.	DCR		AB		26424		<p>THIS DRAWING IS COPYRIGHT AND THE PROPERTY OF POLAMCO LTD IT MUST NOT BE COPIED, USED FOR MANUFACTURE OR OTHERWISE DISCLOSED WITHOUT PRIOR WRITTEN CONSENT OF THE COMPANY.</p>	<p>POLAMCO LTD, WESTON LOCK, LOWER BRISTOL ROAD BATH BA2 1EP</p>	<p>SHT 3</p>	<p>DRAWING NO: P10523</p>											
ISSUE	REV.	DCR																					
AB		26424																					
<p>NCAGE CODE U5792</p>	<p>WEIGHT</p>																						

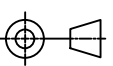

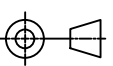


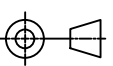

WITH PLATED ACCESSORIES



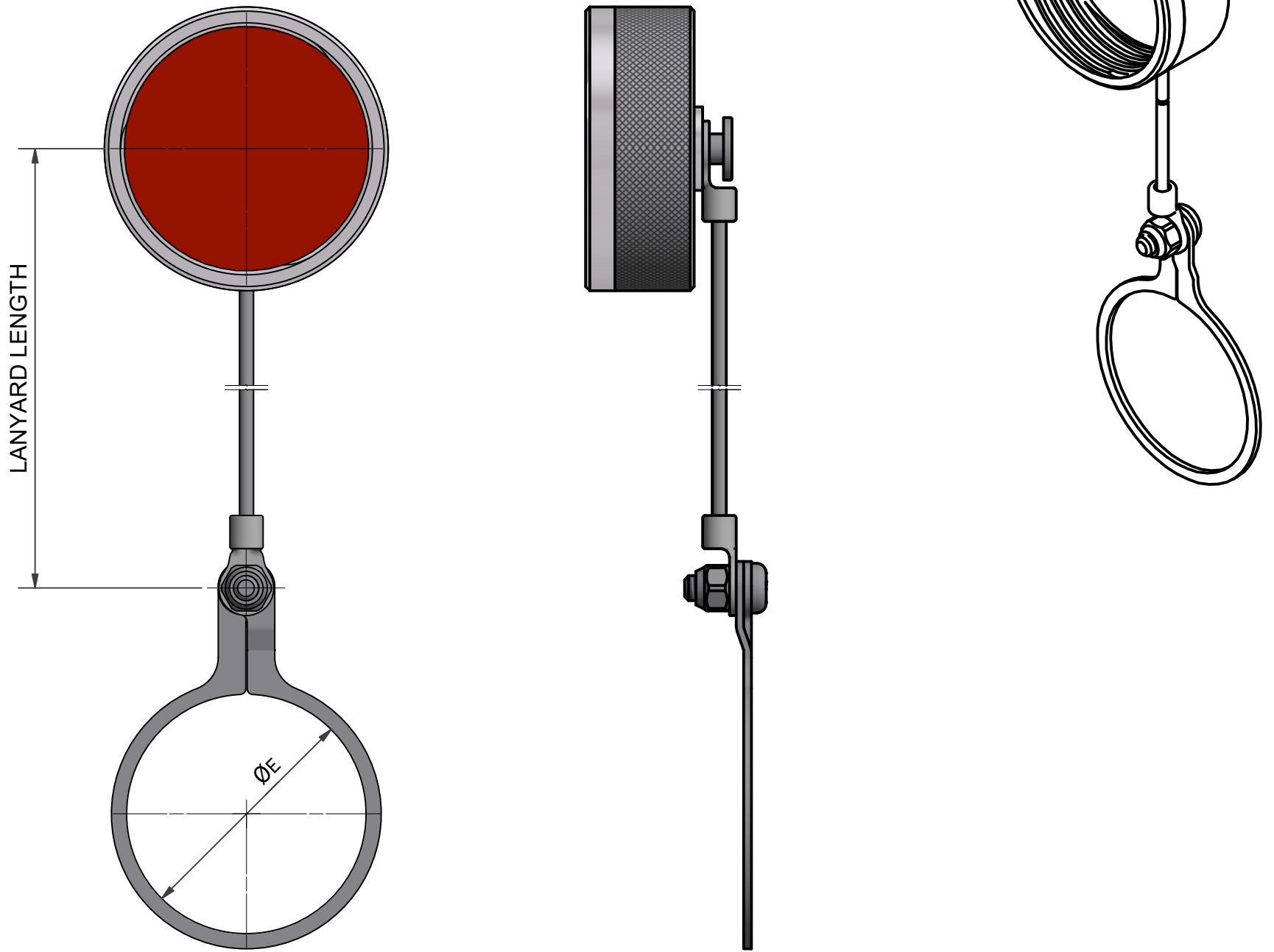
100P160-17-1-C2-WR4-17

- SERIES _____
- SHELL SIZE (TABLE 1) _____
- MATERIAL (TABLE 5) _____
- FINISH (TABLE 6) _____
- PLATED EYELETS, RIVETS AND RINGS - AVAILABLE FOR PLATING CODES B, C, ZB, ZN (SEE NOTE)
- LANYARD TYPE (TABLE 4) _____
- LANYARD LENGTH (IN INCHES) +1,0"/-0" TOLERANCE _____
- ATTACHMENT (SEE ABOVE) _____

NOTE:
1. ALL COMPONENTS INDICATED TO BE PLATED THE SAME AS CAP WHEN CODE "2" IS INSERTED IN THE PART NUMBER

<table border="1"> <tr> <td>DRAWN</td> <td>W.RUST</td> <td>DATE</td> <td>12/02/2014</td> <td rowspan="5">  <p>3RD ANGLE PROJECTION NOT TO SCALE</p> </td> <td rowspan="5"> PART NUMBER: 100P160 SERIES </td> <td rowspan="5">  Polamco </td> </tr> <tr> <td>SALES APPR</td> <td>M.PAUL</td> <td>DATE</td> <td>12/02/2014</td> </tr> <tr> <td>DESIGN APPR</td> <td>K.SHEPPARD</td> <td>DATE</td> <td>12/02/2014</td> </tr> <tr> <td>PROD APPR</td> <td>K.SMITH</td> <td>DATE</td> <td>12/04/2014</td> </tr> <tr> <td>QUAL APPR</td> <td>P.REES</td> <td>DATE</td> <td>12/04/2014</td> </tr> </table>	DRAWN	W.RUST	DATE	12/02/2014	 <p>3RD ANGLE PROJECTION NOT TO SCALE</p>	PART NUMBER: 100P160 SERIES	 Polamco	SALES APPR	M.PAUL	DATE	12/02/2014	DESIGN APPR	K.SHEPPARD	DATE	12/02/2014	PROD APPR	K.SMITH	DATE	12/04/2014	QUAL APPR	P.REES	DATE	12/04/2014	TITLE: RECEPTACLE PROTECTION CAP		 TE <small>connectivity</small>
DRAWN	W.RUST	DATE	12/02/2014	 <p>3RD ANGLE PROJECTION NOT TO SCALE</p>				PART NUMBER: 100P160 SERIES	 Polamco																	
SALES APPR	M.PAUL	DATE	12/02/2014																							
DESIGN APPR	K.SHEPPARD	DATE	12/02/2014																							
PROD APPR	K.SMITH	DATE	12/04/2014																							
QUAL APPR	P.REES	DATE	12/04/2014																							
<table border="1"> <tr> <td>ISSUE</td> <td>REV.</td> <td>DCR</td> <td>26424</td> <td rowspan="2"> MATERIAL SEE PART NUMBER BREAKDOWN FINISH SEE PART NUMBER BREAKDOWN </td> <td rowspan="2"> ASSY USED ON: MIL-DTL-38999 SERIES III </td> <td rowspan="2"> THIS DRAWING IS COPYRIGHT AND THE PROPERTY OF POLAMCO LTD IT MUST NOT BE COPIED, USED FOR MANUFACTURE OR OTHERWISE DISCLOSED WITHOUT PRIOR WRITTEN CONSENT OF THE COMPANY. </td> <td rowspan="2"> POLAMCO LTD, WESTON LOCK, LOWER BRISTOL ROAD BATH BA2 1EP </td> <td rowspan="2"> SHT 4 </td> <td rowspan="2"> DRAWING NO: P10523 </td> </tr> <tr> <td>NCAGE CODE</td> <td>U5792</td> <td>WEIGHT</td> <td></td> </tr> </table>	ISSUE	REV.	DCR	26424	MATERIAL SEE PART NUMBER BREAKDOWN FINISH SEE PART NUMBER BREAKDOWN	ASSY USED ON: MIL-DTL-38999 SERIES III	THIS DRAWING IS COPYRIGHT AND THE PROPERTY OF POLAMCO LTD IT MUST NOT BE COPIED, USED FOR MANUFACTURE OR OTHERWISE DISCLOSED WITHOUT PRIOR WRITTEN CONSENT OF THE COMPANY.	POLAMCO LTD, WESTON LOCK, LOWER BRISTOL ROAD BATH BA2 1EP	SHT 4	DRAWING NO: P10523	NCAGE CODE	U5792	WEIGHT		ASSY USED ON: MIL-DTL-38999 SERIES III											
ISSUE	REV.	DCR	26424	MATERIAL SEE PART NUMBER BREAKDOWN FINISH SEE PART NUMBER BREAKDOWN							ASSY USED ON: MIL-DTL-38999 SERIES III	THIS DRAWING IS COPYRIGHT AND THE PROPERTY OF POLAMCO LTD IT MUST NOT BE COPIED, USED FOR MANUFACTURE OR OTHERWISE DISCLOSED WITHOUT PRIOR WRITTEN CONSENT OF THE COMPANY.	POLAMCO LTD, WESTON LOCK, LOWER BRISTOL ROAD BATH BA2 1EP	SHT 4	DRAWING NO: P10523											
NCAGE CODE	U5792	WEIGHT																								
UNLESS OTHERWISE SPECIFIED ALL DIMENSIONS IN MILLIMETRES GENERAL TOL LINEAR +/-0,25MM ANGULAR +/- 1°		TITLE: RECEPTACLE PROTECTION CAP		ASSY USED ON: MIL-DTL-38999 SERIES III	THIS DRAWING IS COPYRIGHT AND THE PROPERTY OF POLAMCO LTD IT MUST NOT BE COPIED, USED FOR MANUFACTURE OR OTHERWISE DISCLOSED WITHOUT PRIOR WRITTEN CONSENT OF THE COMPANY.	POLAMCO LTD, WESTON LOCK, LOWER BRISTOL ROAD BATH BA2 1EP	SHT 4	DRAWING NO: P10523																		
UNLESS OTHERWISE SPECIFIED ALL DIMENSIONS IN MILLIMETRES GENERAL TOL LINEAR +/-0,25MM ANGULAR +/- 1°		TITLE: RECEPTACLE PROTECTION CAP																								

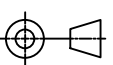
SPLIT RING OPTION:



OMIT FOR NO ATTACHMENT
(SEE SHEET 2)

100P160-17-1-C-WR4-C17

SERIES _____
 INSERT 'F' FOR _____
 FLUROSILICONE GASKET
 OMIT FOR STANDARD
 SILICONE GASKET
 SHELL SIZE (TABLE 1) _____
 MATERIAL (TABLE 5) _____
 FINISH (TABLE 6) _____
 LANYARD TYPE (TABLE 4) _____
 LANYARD LENGTH (IN INCHES) _____
 +1,0"/-0" TOLERANCE
 ATTACHMENT
 C - SPLIT RING _____
 17 - RING SIZE (SEE TABLE 3) _____

DRAWN	W.RUST	DATE	12/02/2014		3RD ANGLE PROJECTION NOT TO SCALE	PART NUMBER:	100P160 SERIES				
SALES APPR	M.PAUL	DATE	12/02/2014			TITLE:	RECEPTACLE PROTECTION COVER				
DESIGN APPR	K.SHEPPARD	DATE	12/02/2014	UNLESS OTHERWISE SPECIFIED ALL DIMENSIONS IN MILLIMETRES GENERAL TOL LINEAR +/-0,25MM ANGULAR +/- 1°		ASSY USED ON:	MIL-DTL-38999 SERIES III				
PROD APPR	K.SMITH	DATE	12/04/2014			THIS DRAWING IS COPYRIGHT AND THE PROPERTY OF POLAMCO LTD IT MUST NOT BE COPIED, USED FOR MANUFACTURE OR OTHERWISE DISCLOSED WITHOUT PRIOR WRITTEN CONSENT OF THE COMPANY.		POLAMCO LTD, WESTON LOCK, LOWER BRISTOL ROAD BATH BA2 1EP		SHT	5
QUAL APPR	P.REES	DATE	12/04/2014					MATERIAL SEE PART NUMBER BREAKDOWN		FINISH SEE PART NUMBER BREAKDOWN	
ISSUE AB	REV.	DCR 26424		NCAGE CODE U5792		WEIGHT					

