

AXL E IOL AI1 U M12 R - Analog module



2700273

<https://www.phoenixcontact.com/nl/products/2700273>

Please be informed that the data shown in this PDF document is generated from our online catalog. Please find the complete data in the user documentation. Our general terms of use for downloads are valid.

Axioline E IO-Link/analog converter for connecting an analog sensor, 0 V ... 10 V, M12 connectors, angled version



Product description

The IO-Link/analog converter is an IO-Link device that converts analog signals into the IO-Link protocol. It therefore enables you to acquire the signals of analog sensors via an IO-Link master.

Your advantages

- Connection to an IO-Link master with M12 connector (A-coded, 4-pos.)
- 1 IO-Link interface
- IO-Link A port
- IO-Link specification V1.1.1
- Angled version
- 1 analog input
- Connection of the actuator in 3-conductor technology via M12 connector (A-coded, 5-pos.)
- Voltage range: 0 V ... 10 V
- Functional ground connection for local connection to functional ground
- Supply of the module electronics and the sensor via the IO-Link interface of the IO-Link master
- Local status indicator
- IP65/IP67 degree of protection

Commercial data

Item number	2700273
Packing unit	1 pc
Minimum order quantity	1 pc
Sales key	340000
Product key	DRI7Z5
GTIN	4046356782579
Weight per piece (including packing)	50,3 g
Weight per piece (excluding packing)	34 g
Customs tariff number	85176200
Country of origin	DE

Technical data

Notes

Note on application

Note on application	Only for industrial use
---------------------	-------------------------

Product properties

Product family	Axioline E
Type	Stand-alone Axioline E
Diagnostics messages	Overrange or underrange Message in the diagnostic code (in the IB IL format) Measured value invalid/no valid measured value present Message in the diagnostic code (in the IB IL format) Module faulty Message in the diagnostic code (in the IB IL format)

Insulation characteristics

Pollution degree	2
------------------	---

Electrical properties

Supply: IO-Link

Nominal voltage for I/O supply	24 V DC (This supply voltage is provided via the IO-Link interface of the IO-Link master.)
Nominal current for every IO-Link port	max. 100 mA
Current consumption	typ. 16.5 mA \pm 15 % (at 24 V DC) max. 120 mA
Protective circuit	Reverse polarity protection Short-circuit protection Overload protection

Input data

Analog: General

Input name	Analog input
Number of inputs	1 (voltage)
Connection method	M12 connector, A-coded
Connection technology	3-conductor
Voltage input signal	0 V ... 10 V
Input resistance of voltage input	min. 100 k Ω
A/D converter resolution	12 bit
Data formats	IB IL, S7-compatible
Filtering	None or mean value generation over 4, 16, or 32 measured values

AXL E IOL AI1 U M12 R - Analog module



2700273

<https://www.phoenixcontact.com/nl/products/2700273>

IO-Link

Number of ports	1
Connection method	M12 connector, A-coded
Connection technology	3-conductor
Specification	V1.1.1
Reverse polarity protection	yes
Cycle Time	min. 2 ms
Amount of process data	16 bit (Input data) 16 bit (Output data)

Signaling

Diagnostic messages

Diagnostics	Overrange or underrange
Message	Message in the diagnostic code (in the IB IL format)

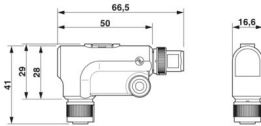
Diagnostic messages

Diagnostics	Measured value invalid/no valid measured value present
Message	Message in the diagnostic code (in the IB IL format)

Diagnostic messages

Diagnostics	Module faulty
Message	Message in the diagnostic code (in the IB IL format)

Dimensions

Dimensional drawing	
Width	16.6 mm
Height	42 mm
Depth	66.5 mm

Environmental and real-life conditions

Ambient conditions

Ambient temperature (operation)	-25 °C ... 60 °C
Degree of protection	IP65/IP67
Air pressure (operation)	70 kPa ... 106 kPa (up to 3000 m above sea level)
Air pressure (storage/transport)	70 kPa ... 106 kPa (up to 3000 m above sea level)
Ambient temperature (storage/transport)	-25 °C ... 85 °C
Permissible humidity (operation)	5 % ... 95 %
Permissible humidity (storage/transport)	5 % ... 95 %

Standards and regulations

AXL E IOL AI1 U M12 R - Analog module



2700273

<https://www.phoenixcontact.com/nl/products/2700273>

Protection class

III (IEC 61140, EN 61140, VDE 0140-1)

Mounting

Mounting type

Screw mounting (M12 thread)

AXL E IOL AI1 U M12 R - Analog module

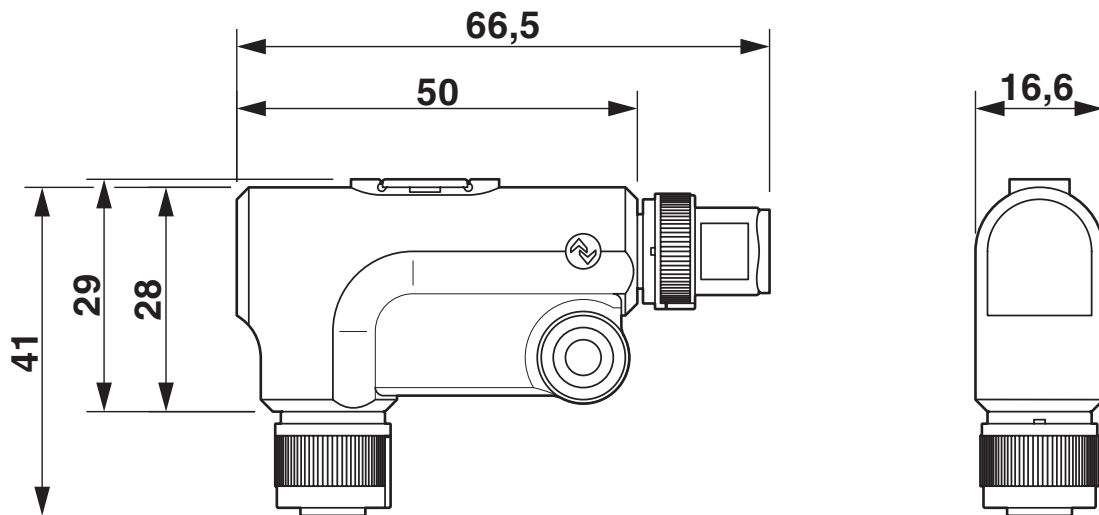
2700273

<https://www.phoenixcontact.com/nl/products/2700273>

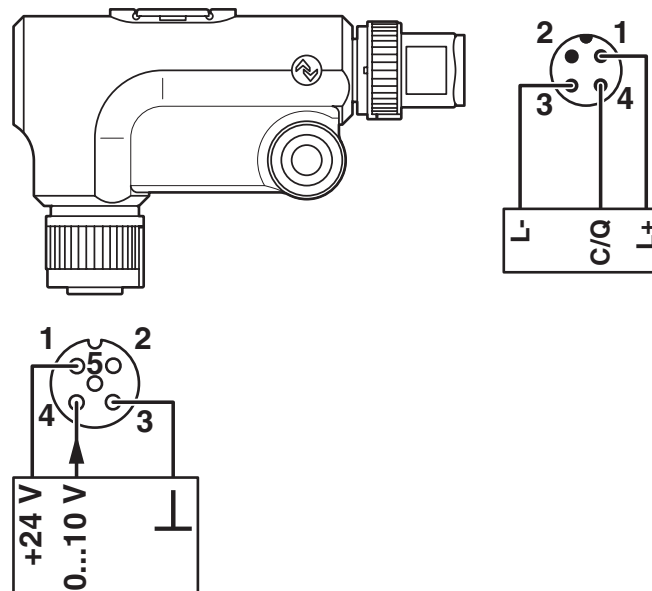


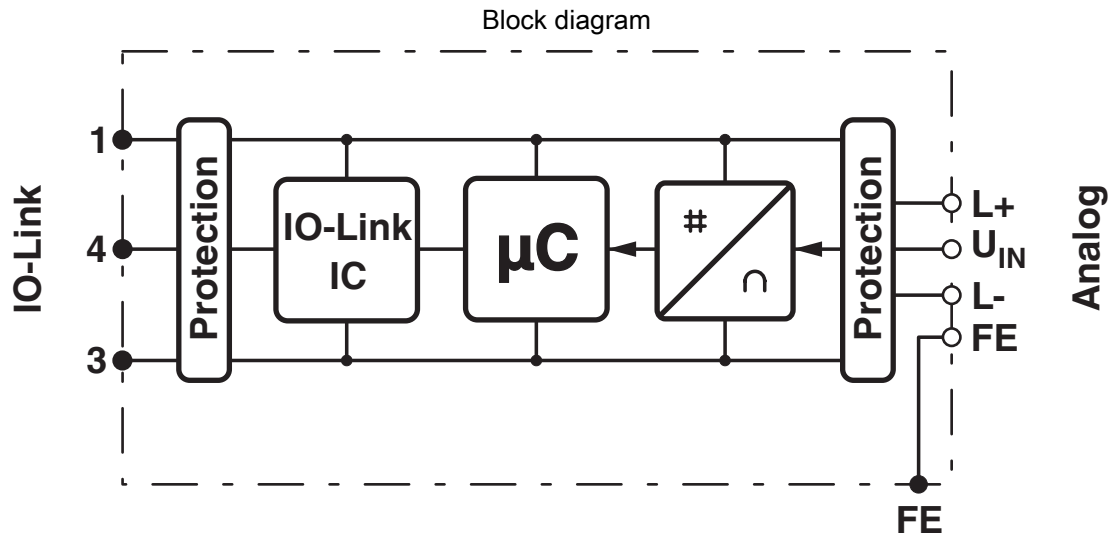
Drawings

Dimensional drawing



Connection diagram





AXL E IOL AI1 U M12 R - Analog module



2700273

<https://www.phoenixcontact.com/nl/products/2700273>

Approvals

🔗 To download certificates, visit the product detail page: <https://www.phoenixcontact.com/nl/products/2700273>



cULus Listed

Approval ID: E140324

AXL E IOL AI1 U M12 R - Analog module



2700273

<https://www.phoenixcontact.com/nl/products/2700273>

Classifications

ECLASS

ECLASS-13.0	27242601
ECLASS-15.0	27242601

ETIM

ETIM 10.0	EC001596
-----------	----------

UNSPSC

UNSPSC 21.0	32151600
-------------	----------

2700273

<https://www.phoenixcontact.com/nl/products/2700273>

Environmental product compliance

EU RoHS

Fulfills EU RoHS substance requirements	Yes
Exemption	6(c)

China RoHS

Environment friendly use period (EFUP)	EFUP-50
	An article-related China RoHS declaration table can be found in the download area for the respective article under "Manufacturer declaration". For all articles with EFUP-E, no China RoHS declaration table issued and required.

EU REACH SVHC

REACH candidate substance (CAS No.)	Lead(CAS: 7439-92-1)
SCIP	68bb59f5-4b92-4149-8761-8cb222c56bb6

Phoenix Contact 2026 © - all rights reserved

<https://www.phoenixcontact.com>

PHOENIX CONTACT B.V.
Hengelder 56 6902 PA Zevenaar
Postbus 246 6900 AE Zevenaar
(0316) 59 17 20
sales@phoenixcontact.nl