

Screw plug - HC-BS-PG21



1674529

<https://www.phoenixcontact.com/pc/products/1674529>

Please be informed that the data shown in this PDF document is generated from our Online Catalog. Please find the complete data in the user documentation. Our General Terms of Use for Downloads are valid.

Screw plug, material for screw connection: Nickel-plated brass, connecting thread: Pg21, color: silver



Commercial Data

Item number	1674529
Packing unit	10 pc
Minimum order quantity	1 pc
Product Key	BF7DZX
Catalog Page	Page 703 (C-2-2019)
GTIN	4017918135423
Weight per Piece (including packing)	20.78 g
Weight per Piece (excluding packing)	20.42 g
Customs tariff number	74153300
Country of origin	DE

Screw plug - HC-BS-PG21

1674529

<https://www.phoenixcontact.com/pc/products/1674529>

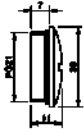


Technical Data

Product properties

Product type	Plug for cable screw gland
Pg screw connection	Pg21

Dimensions

Dimensional drawing	
Length	11 mm
Length of the connecting thread	7 mm
Diameter	30 mm
Hexagon angular dimension	Diameter (no corners)
Thread type connection side	Pg21

Material specifications

Color	silver
Material	Brass, nickel-plated
Sealing material	NBR (O-ring)
Housing surface material	Nickel
Material for screw connection	Nickel-plated brass

Cable / line

Halogen-free	no
--------------	----

Environmental and real-life conditions

Ambient conditions

Degree of protection	IP68
Ambient temperature (operation)	-20 °C ... 80 °C

Screw plug - HC-BS-PG21

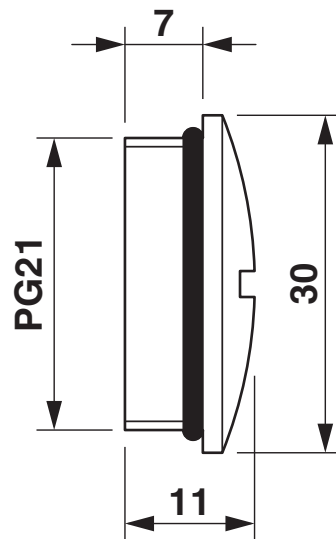
1674529

<https://www.phoenixcontact.com/pc/products/1674529>



Drawings

Dimensional drawing



Filler plugs Pg21

Screw plug - HC-BS-PG21

1674529

<https://www.phoenixcontact.com/pc/products/1674529>



Approvals



EAC

Approval ID: RU C-DE.AI30.B.01102

Screw plug - HC-BS-PG21

1674529

<https://www.phoenixcontact.com/pc/products/1674529>



Classifications

ECLASS

ECLASS-9.0	23111190
ECLASS-10.0.1	23111190
ECLASS-11.0	23111190

ETIM

ETIM 8.0	EC000032
----------	----------

UNSPSC

UNSPSC 21.0	31261500
-------------	----------

Screw plug - HC-BS-PG21

1674529

<https://www.phoenixcontact.com/pc/products/1674529>



Environmental Product Compliance

REACH SVHC	Lead 7439-92-1
China RoHS	Environmentally Friendly Use Period = 50 years
	For information on hazardous substances, refer to the manufacturer's declaration available under "Downloads"

Phoenix Contact 2023 © - all rights reserved

<https://www.phoenixcontact.com>

PHOENIX CONTACT GmbH & Co. KG

Flachsmarktstraße 8

D-32825 Blomberg

+49 (0) 5235-3 00

info@phoenixcontact.com