

FO connectors - VS-SCRJ-POF-FA-IP20



1654879

<https://www.phoenixcontact.com/pc/products/1654879>

Please be informed that the data shown in this PDF document is generated from our Online Catalog. Please find the complete data in the user documentation. Our General Terms of Use for Downloads are valid.



SC-RJ fiber optic connector, IP20, duplex, with fast connection technology, for polymer fiber 980/1000 μm , for individual wire diameter 2.2 mm

Product Description

SC-RJ fiber optic connector, IP20, duplex, with fast connection technology, for polymer fiber 980/1000 μm , for individual wire diameter 2.2 mm

Your advantages

- Compact design, thanks to SC-RJ pin connector pattern
- Outstanding transmission properties
- Suitable for quick and easy field assembly or repair
- No bonding or polishing
- Flexible application, thanks to reusable connectors

Commercial Data

Item number	1654879
Packing unit	1 pc
Minimum order quantity	1 pc
Product Key	ABNACA
Catalog Page	Page 376 (C-2-2019)
GTIN	4046356028844
Weight per Piece (including packing)	17.35 g
Weight per Piece (excluding packing)	16.2 g
Customs tariff number	85367000
Country of origin	DE

1654879

<https://www.phoenixcontact.com/pc/products/1654879>

Technical Data

Notes

General	This product corresponds to the PROFINET Cabling and Interconnection Technology Guideline for PROFINET regulations, version 2.00, order no: 2.252, Chapter 8.3 Connectors for inside environment (optical fibre)
---------	--

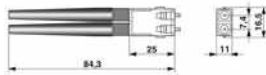
Product properties

Type	SC-RJ
Product type	Fiber optic connector (cable side)
Number of positions	2
Connection profile	SCRJ in acc. with IEC 61754-24
Application	neutral
Type	SC-RJ
Cable outlet	straight

Electrical properties

Attenuation	≤ 1.5 dB (Insertion attenuation)
Transmission medium	FO

Dimensions

Dimensional drawing	
Width	16.5 mm
Height	11 mm
Length	83 mm

Mechanical characteristics

Ferrule diameter	2.50 mm
------------------	---------

Material specifications

Color	black
Material	Plastic
Flammability rating according to UL 94	V0
Ferrule material	Copper alloy
Housing surface material	Nickel-plated
Housing material	Metal

Cable / line

Cable type	Plastic fiber
External cable diameter	≤ 3 mm

FO connectors - VS-SCRJ-POF-FA-IP20



1654879

<https://www.phoenixcontact.com/pc/products/1654879>

Wire diameter	2.2 mm
Individual wire diameter	2.2 mm
Flame resistance	yes

FO cable

Number of fibers	2
Fiber	980/1000 μm
Fiber type	POF

Mechanical properties

Mechanical data

Insertion/withdrawal cycles	≥ 500
-----------------------------	------------

Characteristics

Attenuation	≤ 1.5 dB (Insertion attenuation)
-------------	---------------------------------------

Environmental and real-life conditions

Ambient conditions

Degree of protection	IP20
Degree of protection	IP20
Ambient temperature (operation)	-25 °C ... 70 °C
Ambient temperature (storage/transport)	-25 °C ... 70 °C
Ambient temperature (assembly)	0 °C ... 50 °C

Standards and regulations

Flame resistance	yes
------------------	-----

Mounting

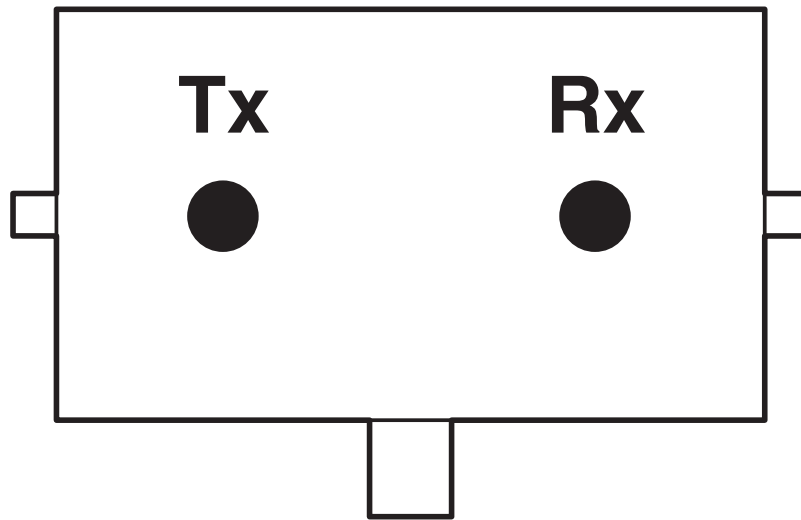
cable layer type	Indoors
------------------	---------

1654879

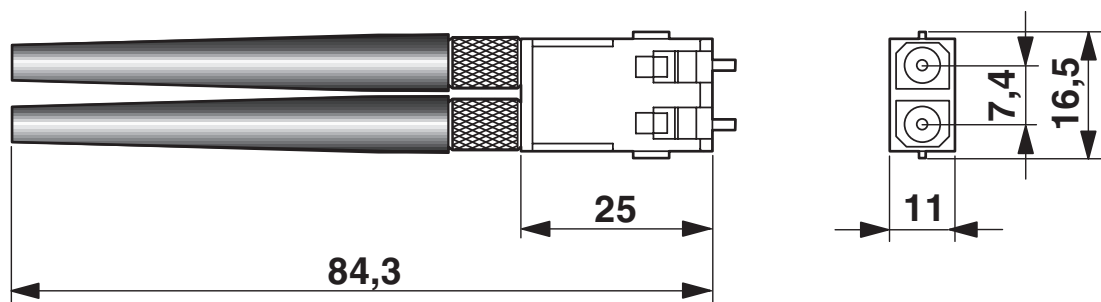
<https://www.phoenixcontact.com/pc/products/1654879>

Drawings

Schematic diagram



Dimensional drawing



SC-RJ connector IP20

FO connectors - VS-SCRJ-POF-FA-IP20



1654879

<https://www.phoenixcontact.com/pc/products/1654879>

Approvals



EAC

Approval ID: B.01687

FO connectors - VS-SCRJ-POF-FA-IP20



1654879

<https://www.phoenixcontact.com/pc/products/1654879>

Classifications

ECLASS

ECLASS-9.0	19170122
ECLASS-10.0.1	19170122
ECLASS-11.0	19170122

ETIM

ETIM 8.0	EC001122
----------	----------

UNSPSC

UNSPSC 21.0	43223300
-------------	----------

FO connectors - VS-SCRJ-POF-FA-IP20



1654879

<https://www.phoenixcontact.com/pc/products/1654879>

Environmental Product Compliance

China RoHS	Environmentally Friendly Use Period = 50 years For information on hazardous substances, refer to the manufacturer's declaration available under "Downloads"
------------	--

FO connectors - VS-SCRJ-POF-FA-IP20

1654879

<https://www.phoenixcontact.com/pc/products/1654879>

Accessories

FO cable

FO cable - PSM-LWL-KDHEAVY-980/1000 - 2744319

<https://www.phoenixcontact.com/pc/products/2744319>



Polymer fiber cable, duplex 980 μm /1000 μm , medium-weight version for installation in stationary systems and machines, by the meter without male connector

FO cable

FO cable - PSM-LWL-RUGGED-980/1000 - 2744322

<https://www.phoenixcontact.com/pc/products/2744322>



Polymer fiber cable, duplex 980 μm /1000 μm , heavy-weight version for installation in stationary systems and machines, by the meter without male connector

FO connectors - VS-SCRJ-POF-FA-IP20

1654879

<https://www.phoenixcontact.com/pc/products/1654879>

FO cable

FO cable - PSM-LWL-RUGGED-FLEX-980/1000 - 2744335

<https://www.phoenixcontact.com/pc/products/2744335>



Polymer fiber cable, duplex 980/1000 μm , heavy-weight, highly flexible version for flexible conduit applications, by the meter, without connector

FO cable

FO cable - FL FOC PN-B-980/1000 - 2313397

<https://www.phoenixcontact.com/pc/products/2313397>



PROFINET polymer fiber cable, duplex 980 μm /1000 μm , heavy-weight design, for installation in stationary systems and machines, by the meter, without male connector

FO connectors - VS-SCRJ-POF-FA-IP20

1654879

<https://www.phoenixcontact.com/pc/products/1654879>

FO cable

FO cable - FL FOC PN-C-FLEX-980/1000 - 2313407

<https://www.phoenixcontact.com/pc/products/2313407>



PROFINET polymer fiber cable, duplex, 980/1000 μm , heavy-weight highly flexible design, for flexible cable conduit applications, by the meter, without connector

FO patch cable

FO patch cable - FOC-RUGGED-1012/IP20/... - 2901548

<https://www.phoenixcontact.com/pc/products/2901548>



Robust POF installation cable for assembly (IP20 heads only) for installation in stationary systems and machines with individual elements made of polyamide (PA), halogen-free, ozone and UV resistant, with reinforced polyurethane (PUR) outer sheath

FO connectors - VS-SCRJ-POF-FA-IP20

1654879

<https://www.phoenixcontact.com/pc/products/1654879>

FO patch cable

FO patch cable - FOC-RUGGED-FLEX-1013/IP20/... - 2901549

<https://www.phoenixcontact.com/pc/products/2901549>



Highly flexible POF round cable (IP20 heads only) for use in drag chains. Individual elements made from extremely wear-resistant polyamide (PA). The cable is halogen-free, ozone and UV resistant, and has a rugged polyurethane (PUR) outer sheath.

FO patch cable

FO patch cable - FOC-PN-B-1000/IP20/... - 2901551

<https://www.phoenixcontact.com/pc/products/2901551>



POF PROFINET installation cable for assembly (IP20 heads only) for installation in stationary systems and machines, individual elements of polyamide (PA), halogen-free, ozone- and UV-resistant, with reinforced polyurethane (PUR) outer sheath

FO connectors - VS-SCRJ-POF-FA-IP20

1654879

<https://www.phoenixcontact.com/pc/products/1654879>

FO patch cable

FO patch cable - FOC-PN-C-1003/IP20/? - 2901552

<https://www.phoenixcontact.com/pc/products/2901552>



Highly flexible POF PROFINET cable (IP20 heads only) for use in drag chains. Individual elements made from extremely wear-resistant polyamide (PA). The cable is halogen-free, ozone and UV resistant, and has a rugged polyurethane (PUR) outer sheath.

FO patch cable

FO patch cable - FOC-KDHEAVY-1011/IP20/... - 2901553

<https://www.phoenixcontact.com/pc/products/2901553>



POF installation cable for assembly (IP20 heads only) for installation in stationary systems and machines with individual elements made of polyamide (PA), halogen-free, ozone and UV resistant, with a polyurethane (PUR) outer sheath

FO connectors - VS-SCRJ-POF-FA-IP20

1654879

<https://www.phoenixcontact.com/pc/products/1654879>

SC-RJ female insert

SC-RJ female insert - VS-SCRJ-GOF-BU/BU - 1652978

<https://www.phoenixcontact.com/pc/products/1652978>



SC-RJ socket insert, duplex, for VS-A-F-IP67 panel mounting frame, can be used for fiberglass (multi-mode and single mode), PCF, and polymer fibers

FO accessories

FO accessories - FOC-TOOL-FERRULECLEANER-2.50 - 1407029

<https://www.phoenixcontact.com/pc/products/1407029>



2.50 mm ferrule cleaner, for ST, SC, FC, E2000 (also APC), approx. 500 cleaning cycles

FO connectors - VS-SCRJ-POF-FA-IP20



1654879

<https://www.phoenixcontact.com/pc/products/1654879>

FO accessories

FO accessories - VS-SCRJ-POF-KONFTOOL-POLISH - 1658820

<https://www.phoenixcontact.com/pc/products/1658820>



SC-RJ polishing tool set, for polymer fiber, for field assembly of the SC-RJ connector (IP20/IP67) with fast connection technology, with stripping tool, diagonal cutter, aramid scissors, polishing materials, microscope, 2x SC-RJ connector IP20

FO accessories

FO accessories - VS-SCRJ-POF-POLISH - 1656673

<https://www.phoenixcontact.com/pc/products/1656673>



Refilling set for VS-SC-RJ-POF-KONFTOOL-POLISH, consisting of two polishing discs and a polisher

Phoenix Contact 2022 © - all rights reserved
<https://www.phoenixcontact.com>

PHOENIX CONTACT GmbH & Co. KG
Flachsmarktstraße 8
D-32825 Blomberg
+49 (0) 5235-3 00
info@phoenixcontact.com