

MICRO SWITCH
a Honeywell Division

SWITCH-ENCLOSED

CATALOG LISTING
622EN84-RB

FED. MFG. CODE 91929

CATALOG LISTING
622EN84-RB

ISSUE
M
2

REVISIONS
APR-21682
J J A
5 OCT 95

DDM/CAD
DRAWN

REPLACES X-99706

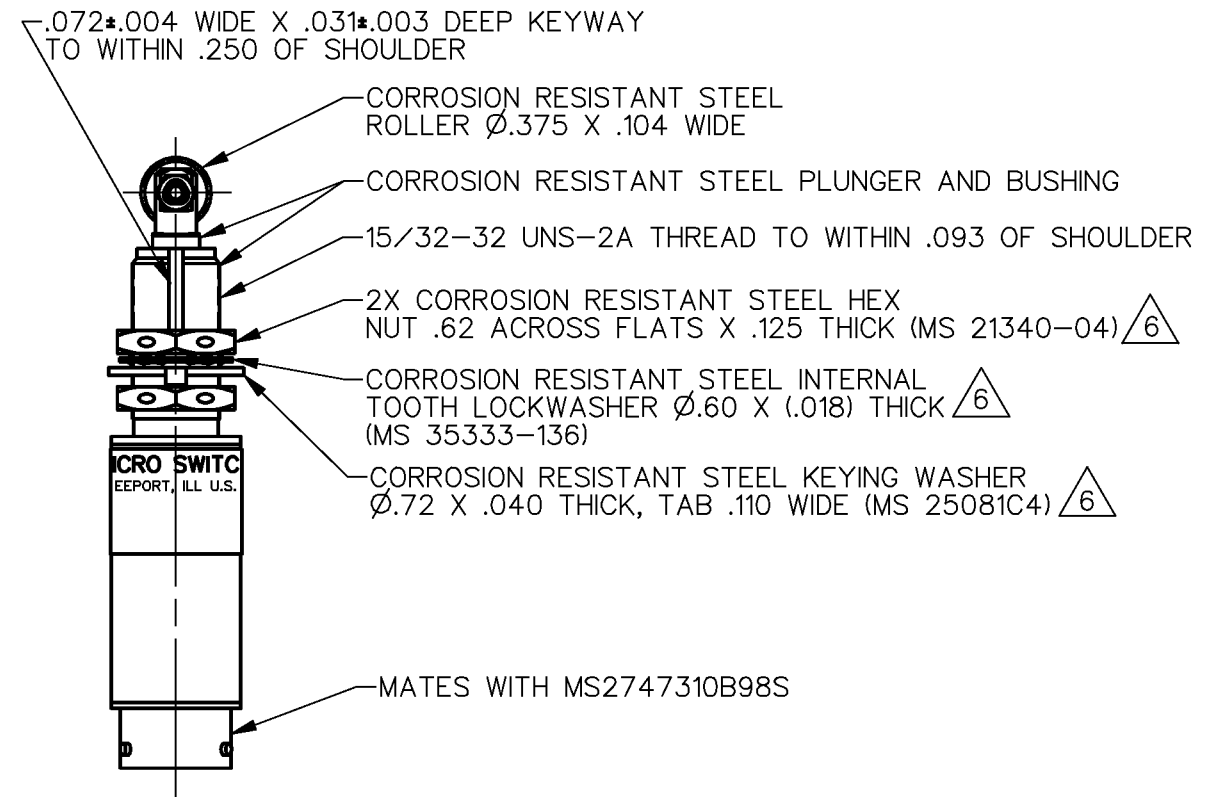
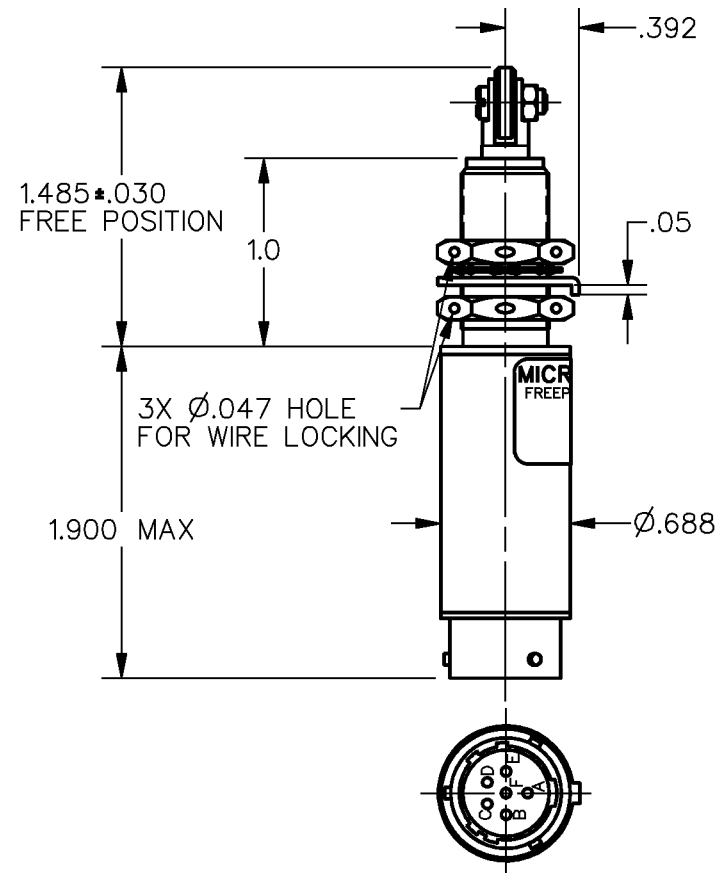
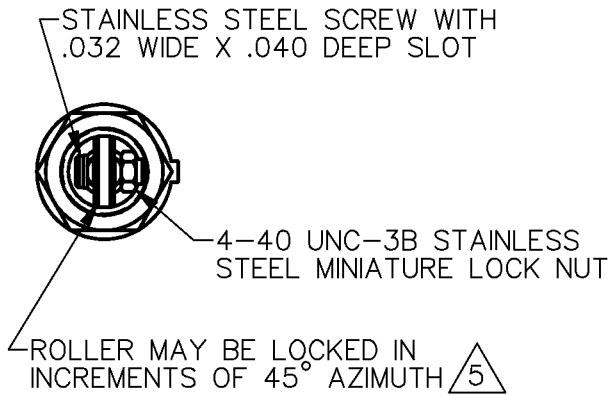
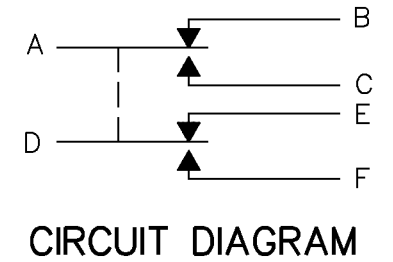
RELEASE NO. PR-21682

CHECK

CHECK

CHECK

J J A 5 OCT 95



- NOTES
- 1 - CORROSION RESISTANT STEEL ENCLOSURE
 - 2 - SWITCH SEALED PER MIL-S-8805 SYMBOL 4
 - 3 - COINCIDENCE OF OPERATING AND RELEASING POINTS: .010 OF PLUNGER TRAVEL
 - 4 - CIRCUIT DIAGRAM AND CATALOG LISTING SHOWN ON LABEL
 - $\triangle 5$ TO ADJUST ROLLER DIRECTION, REMOVE LOCK NUT, SCREW AND ROLLER. DEPRESS PLUNGER UNTIL IT CAN BE ROTATED TO DESIRED POSITION. RETURN PLUNGER TO FREE POSITION AND REASSEMBLE ROLLER
 - $\triangle 6$ HARDWARE MAY BE PACKAGED UNASSEMBLED PER MIL-S-8805

THIS DRAWING COVERS A PROPRIETARY ITEM AND IS THE PROPERTY OF MICRO SWITCH, A DIVISION OF HONEYWELL. THIS DRAWING IS NOT TO BE COPIED OR USED WITHOUT THE APPROVAL OF MICRO SWITCH



CHARACTERISTICS	
OPERATING FORCE	6 - 12 LB
FULL OVERTRAVEL FORCE	30 LB MAX
RELEASE FORCE	4 LB MIN
PRETRAVEL	.040 MAX
DIFFERENTIAL TRAVEL	.020 MAX
OVERTRAVEL	.125 MIN

ELECTRICAL DATA		
CONTACT ARRANGEMENT		
2X SPDT		
28 VDC		
LOAD	SEA LEVEL	50,000 FT.
RES	7	7
IND	4	4

SCALE FULL	
DO NOT SCALE PRINT	
UNLESS OTHERWISE SPECIFIED TOLERANCES ARE	
ONE PLACE	(.0) ± .030
TWO PLACE	(.00) ± .015
THREE PLACE	(.000) ± .005
ANGLES	±
WEIGHT	2.0 OZ MAX

ANSI Y14.5M-1982 APPLIES