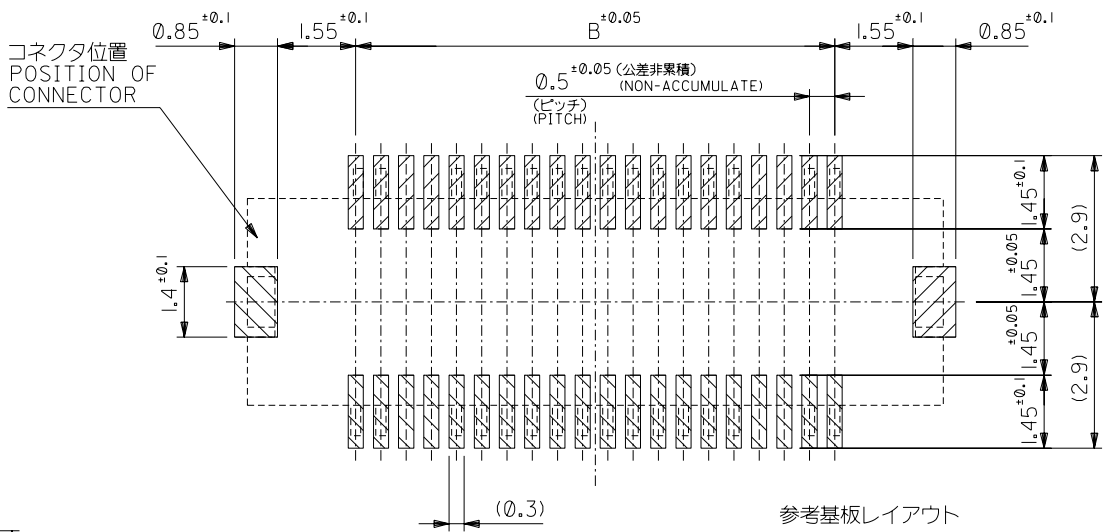
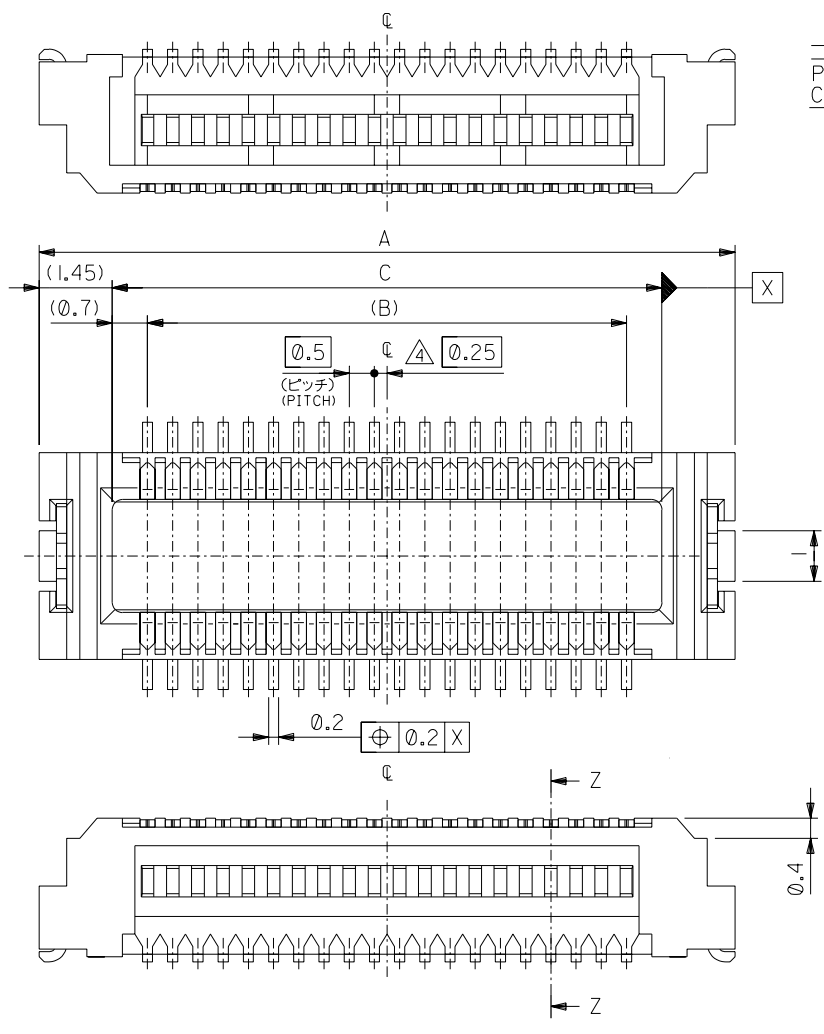
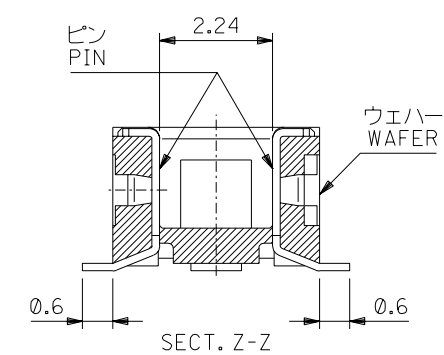
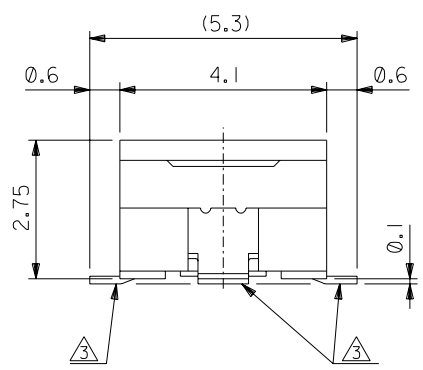


DWG. NO.
SD-55297-007



参考基板レイアウト
P.B. BOARD PATTERN DIMENSION.(REF.)



18.4	17.0	21.3	55297-0707	70
10.9	9.5	13.8	55297-0407	40
C	B	A	MATERIAL NO.	極数 CKTS.

DO NOT SCALE DRAWING

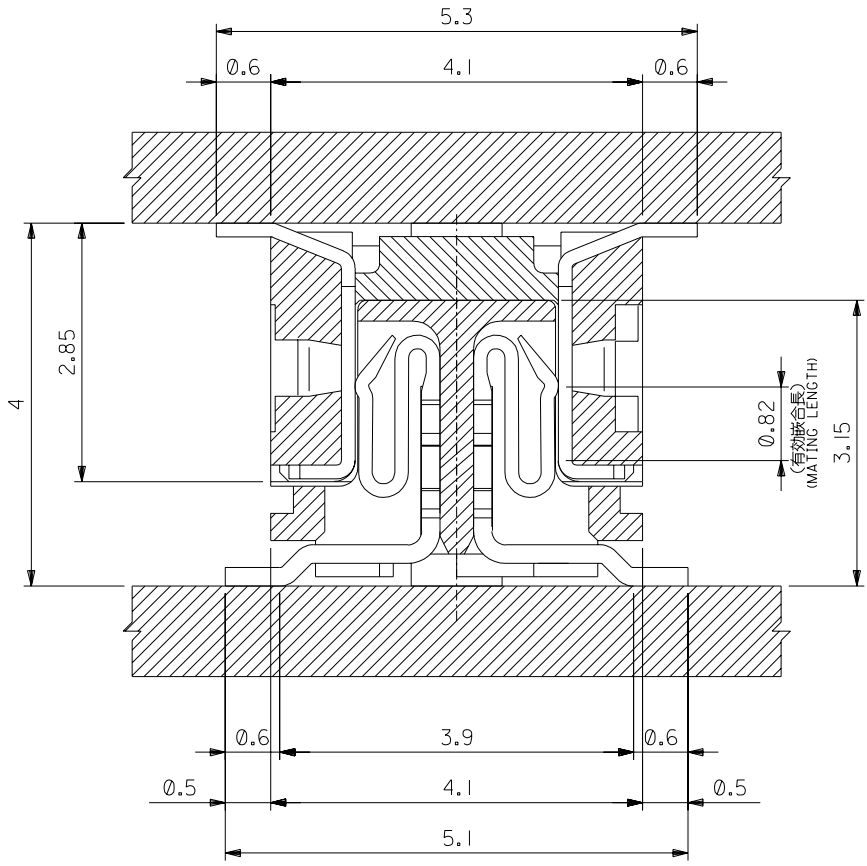
EC NO. DRAWN: CHK'g: APPR:	EC NO. DRAWN: CHK'g: APPR:	EC NO. DRAWN: CHK'g: APPR:	EC NO. DRAWN: CHK'g: APPR:
新規格作成 RELEASED EC NO. J2004-3890 DRAWN: M.NAGATA '04/04/20 CHK'g: K.TOJO '04/04/20 APPR: M.SASAO '04/04/20			

MATERIAL 材料	注記参照 SEE NOTES
FINISH 仕上げ	注記参照 SEE NOTES
WIRE RANGE 適用電線範囲	//
INS. RANGE 被覆外径	//

GENERAL TOLERANCES: (UNLESS SPECIFIED) 一般公差	SCALE #	DESIGN UNITS <input checked="" type="checkbox"/> mm <input type="checkbox"/> INCH
10 UNDER 未滿	±0.2	DRAWN BY & DATE M.NAGATA '04/04/20
10 OVER 30 UNDER 未滿	±0.25	CHECKED BY & DATE K.TOJO '04/04/20
30 OVER 以上	±0.3	APPROVED BY & DATE M.SASAO '04/04/20
ANGLE 角度	±3°	CAD FILENAME SD-55297-007.S01

MODEL NO. 55297-***7	DIMENSIONS: <input type="checkbox"/> mm <input type="checkbox"/> INCH <input checked="" type="checkbox"/> mm ONLY	SHT REV
THIRD ANGLE PROJECTION	TITLE: 0.5 B-To-B Conn PLUG Assy [Hgt=4mm] W/NAIL W/LOCK -LEAD FREE-	REVISE ON CAD ONLY
MOLEX INCORPORATED MATERIAL NO. SEE CHART DRAWING NO. SD-55297-007 SHEET NO. 1 OF 2		
THIS DRAWING CONTAINS INFORMATION THAT IS PROPRIETARY TO MOLEX INCORPORATED AND SHOULD NOT BE USED WITHOUT WRITTEN PERMISSION.		
		SIZE B

DWG. NO. SD-55297-007



嵌合断面図 (参考)
MATED DRAWING(REFERENCE)

注記 NOTES:

- 材質 MATERIAL
 ウェハー : 液晶ポリマーガラス充填 (LCP)、白色、UL94V-0
 WAFER : LIQUID CRYSTAL POLYMER GLASS FILLED, COLOR WHITE, UL94V-0
 ピン : 黄銅 (t=0.15)
 PIN : BRASS (t=0.15)
 補強金具 : 黄銅 (t=0.2)
 FITTING NAIL : BRASS (t=0.2)
- メッキ仕様 PLATING
 ピン : ニッケル下地金メッキ
 PIN : GOLD OVER NICKEL PLATING
 補強金具 : ニッケル下地錫メッキ
 FITTING NAIL : TIN OVER NICKEL PLATING
- テールとネイルの相互のばらつきは0.1MAX.
 MISALIGNMENT OF SOLDER TAIL AND NAIL OFFSET BETWEEN UPPER AND LOWER : 0.1 MAX.
- (極数/2) = 偶数の場合に適用。
 APPLY FOR (CIRCUIT/2)=EVEN.
- 嵌合相手 : 54434シリーズ。
 MATES WITH 54434 SERIES.
- 一对の基板の嵌合に於いて、本製品を2個以上使用することは推奨致し兼ねます。
 MXJ DOES NOT RECOMMEND THE USAGE OF TWO OR MORE OF THESE CONNECTORS BETWEEN A SINGLE PAIR OF P.C.BOARD.
- 本製品は55297-***0の鉛フリー品である。
 THIS PRODUCT IS LEAD FREE OF 55297-***0.

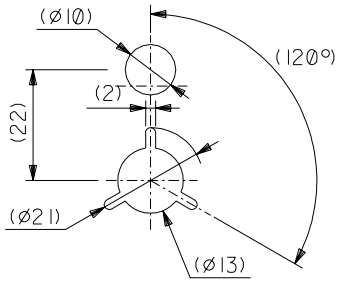
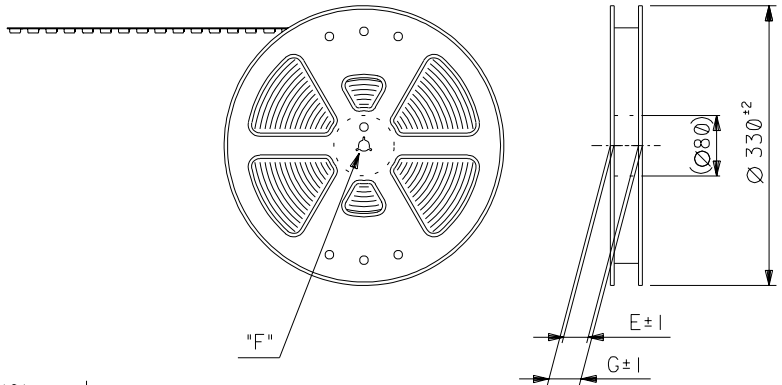
DO NOT SCALE DRAWING

EC NO. DRWN: CH'K: APPR:		EC NO. DRWN: CH'K: APPR:		EC NO. DRWN: CH'K: APPR:		EC NO. DRWN: CH'K: APPR:		EC NO. DRWN: CH'K: APPR:		MODEL NO. 55297-****7 DIMENSIONS: <input type="checkbox"/> mm <input type="checkbox"/> INCH <input checked="" type="checkbox"/> mm ONLY SHT REV REVISIONS CAD ONLY					
新規格作成 RELEASED EC NO. J2004-3890 DRWN: M.NAGATA '04/04/20 CH'K: K.TOJO '04/04/20 APPR: M.SASAO '04/04/20		MATERIAL 材料 注記参照 SEE NOTES		FINISH 仕上げ 注記参照 SEE NOTES		WIRE RANGE 適用電線範囲 //		INS. RANGE 被覆外径 //		GENERAL TOLERANCES: (UNLESS SPECIFIED) 一般公差 10 UNDER 未満 ±0.2 10 OVER 以上 30 UNDER 未満 ±0.25 30 OVER 以上 ±0.3 ANGLE 角度 ±3°		SCALE -- DESIGN UNITS <input checked="" type="checkbox"/> mm <input type="checkbox"/> INCH THIRD ANGLE PROJECTION DRAWN BY & DATE M.NAGATA '04/04/20 CHECKED BY & DATE K.TOJO '04/04/20 APPROVED BY & DATE M.SASAO '04/04/20 CAD FILENAME SD-55297-007.S02		TITLE: 0.5 B-To-B Conn PLUG Assy [Hgt=4mm] W/NAIL W/LOCK -LEAD FREE- MOLEX INCORPORATED MATERIAL NO. SEE CHART DRAWING NO. SD-55297-007 SHEET NO. 2 OF 2	
THIS DRAWING CONTAINS INFORMATION THAT IS PROPRIETARY TO MOLEX INCORPORATED AND SHOULD NOT BE USED WITHOUT WRITTEN PERMISSION.										SIZE B					

DWG. NO. SD-55297-008

8 7 6 5 4 3 2 1

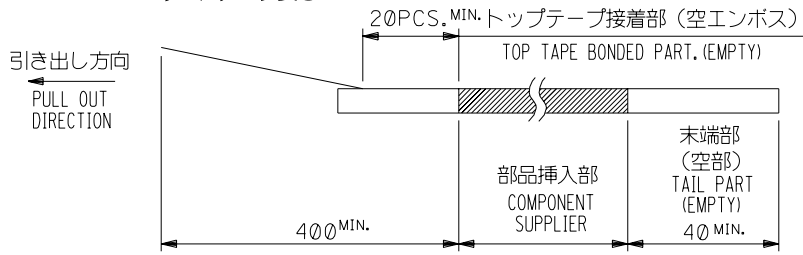
引き出し方向
PULL OUT DIRECTION



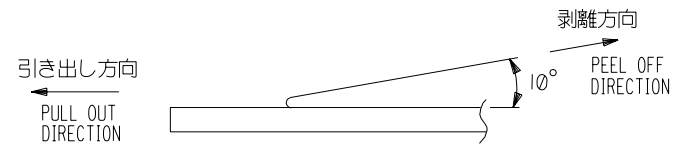
DETAIL "F"

注記 NOTES

- 製品詳細寸法については図面 SD-55297-007 を参照下さい。
RE DETAILED DIMENSION, SEE SD-55297-007.
- 梱包数量：1000個/リール
NUMBER OF CONNECTORS : 1000PCS/REEL
- リードテープ長さ LEAD TAPE LENGTH



- トップテープの剥離強度：0.1～1.3N(10～130gf)
(剥離方向は下図参照)
尚、本規格値は出荷時に適用。(但し、輸送時に剥離が発生しないこと。)
PEELING OFF FORCE OF TOP TAPE : 0.1～1.3N(10～130gf)
(PEELING DIRECTION AS SHOWN IN FOLLOWING FIG.)
THIS REQUIREMENT SHOULD BE APPLIED AT SHIPMENT.
PEEL OFF SHOULD NOT BE ALLOWED ,DURING TRANSPORTATION.



- 材料
キャリアテープ：ポリプロピレン (PP)
トップテープ：PET, PE, PEF
リール：ポリスチレン (PS) <リサイクル材を含む>
MATERIAL CARRIER TAPE:POLYPROPYLENE
TOP TAPE:PET,PE,PEF
REEL:POLYSTYRENE(PS)
<RECYCLE MATERIAL CONTAINED>

- 本製品は55297-***9の鉛フリー品である。
THIS PRODUCT IS LEAD FREE OF 55297-***9.

DO NOT SCALE DRAWING

EC NO. DRWN: CHK: APPR:	EC NO. DRWN: CHK: APPR:	EC NO. DRWN: CHK: APPR:	EC NO. DRWN: CHK: APPR:	EC NO. DRWN: CHK: APPR:	新規格作成 RELEASED EC NO. J2004-3890 DRWN: M.NAGATA '04/04/20 CHK: K.TOJO '04/04/20 APPR: M.SASAO '04/04/20	MATERIAL 材料	注記参照 SEE NOTES	GENERAL TOLERANCES: (UNLESS SPECIFIED) 一般公差	SCALE	DESIGN UNITS <input checked="" type="checkbox"/> mm <input type="checkbox"/> INCH	MODEL NO.	55297-***79	DIMENSIONS: <input type="checkbox"/> mm <input type="checkbox"/> INCH <input checked="" type="checkbox"/> mm ONLY	SHT	REV
						FINISH 仕上げ	注記参照 SEE NOTES	10 UNDER 未満 ±0.2	DRAWN BY & DATE M.NAGATA '04/04/20	THIRD ANGLE PROJECTION	TITLE: 0.5 B-To-B Conn Plug Assy Embstp Pkg -LEAD FREE-				
						WIRE RANGE 適用電線範囲	//	10 OVER 30 UNDER 未満 ±0.25	CHECKED BY & DATE K.TOJO '04/04/20						
						INS. RANGE 被覆外径	//	30 OVER 以上 ±0.3	APPROVED BY & DATE M.SASAO '04/04/20						
						ANGLE 角度	//	±3°	CAD FILENAME SD-55297-008.S01	MATERIAL NO. SEE CHART	DRAWING NO. SD-55297-008		SHEET NO. 1 OF 3		
THIS DRAWING CONTAINS INFORMATION THAT IS PROPRIETARY TO MOLEX INCORPORATED AND SHOULD NOT BE USED WITHOUT WRITTEN PERMISSION.											SIZE B				

8 7 6 5 4 3 2 1 EN-02J(097) MXJ-54

