

DWG. NO. SD-54550-005

F

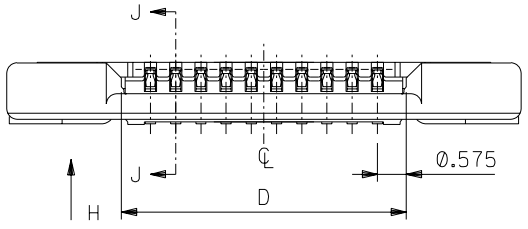
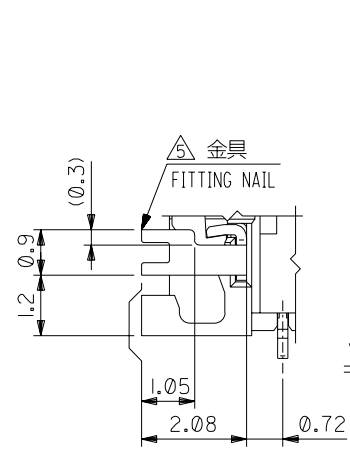
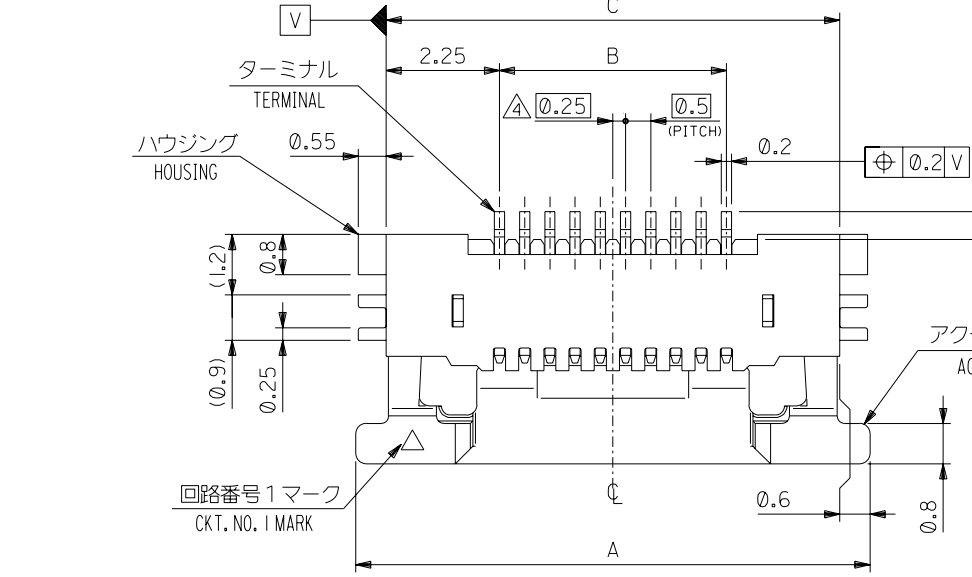
D

V

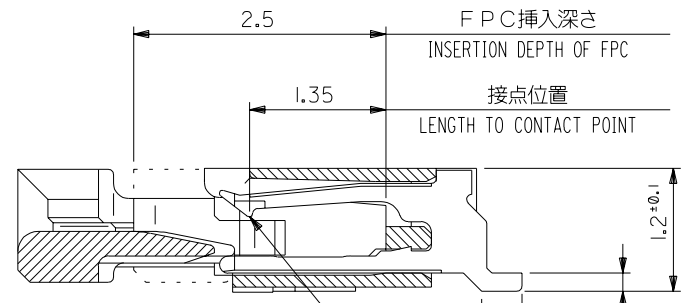
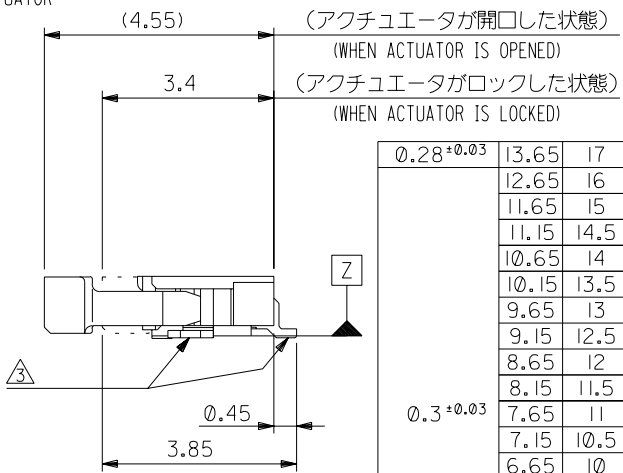
C

B

DO NOT SCALE DRAWING



アクチュエータ ACTUATOR



SECT. J-J  
SCALE 20:1

0.28 <sup>+0.03</sup>	13.65	17	12.5	18.2	54550-2617	26
	12.65	16	11.5	17.2	54550-2417	24
	11.65	15	10.5	16.2	54550-2217	22
	11.15	14.5	10	15.7	54550-2117	21
	10.65	14	9.5	15.2	54550-2017	20
	10.15	13.5	9	14.7	54550-1917	19
	9.65	13	8.5	14.2	54550-1817	18
	9.15	12.5	8	13.7	54550-1717	17
	8.65	12	7.5	13.2	54550-1617	16
	8.15	11.5	7	12.7	54550-1517	15
	7.65	11	6.5	12.2	54550-1417	14
	7.15	10.5	6	11.7	54550-1317	13
	6.65	10	5.5	11.2	54550-1217	12
	6.15	9.5	5	10.7	54550-1117	11
	5.65	9	4.5	10.2	54550-1017	10
	5.15	8.5	4	9.7	54550-0917	9
	4.65	8	3.5	9.2	54550-0817	8
	4.15	7.5	3	8.7	54550-0717	7
	3.65	7	2.5	8.2	54550-0617	6
	3.15	6.5	2	7.7	54550-0517	5

THICKNESS OF FPC	D	C	B	A	製品番号 MATERIAL No.	極数 Ckt+
------------------	---	---	---	---	-------------------	---------

EC NO. DRWN: CHK: APPR:	EC NO. DRWN: CHK: APPR:	EC NO. DRWN: CHK: APPR:	REVISED EC NO. J2004-0609 DRWN: R.SUMIYA 03/09/17 CHK: T.ITO 03/09/17 APPR: I.YAMAGUCHI 03/09/17	REVISED EC NO. J2003-2548 DRWN: M.FUJIKURA 03/04/03 CHK: K.SAKAWA 03/04/04 APPR: I.YAMAGUCHI 03/04/04	MATERIAL 材料 SHEET 2 OF 2 参照 REFER TO SHEET 2 OF 2
					FINISH 仕上げ SHEET 2 OF 2 参照 REFER TO SHEET 2 OF 2
					WIRE RANGE 適用線径範囲
					INS. RANGE 被覆外径

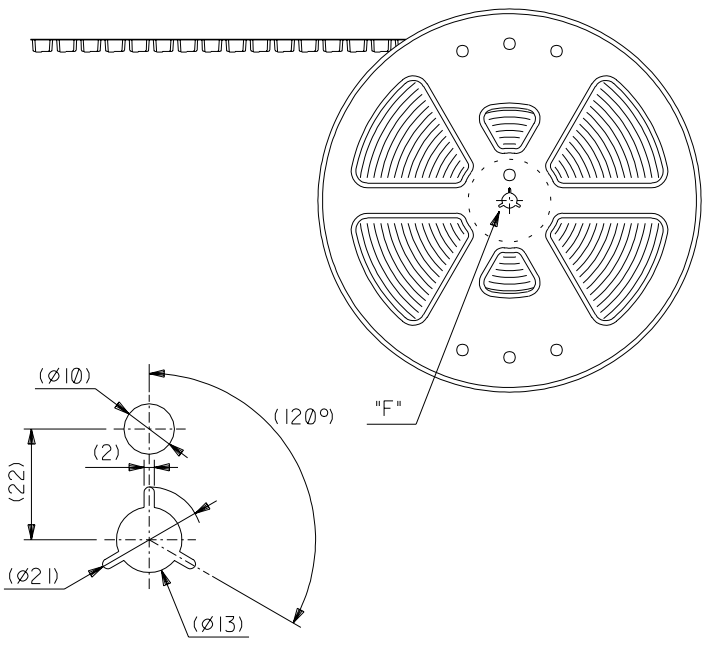
GENERAL TOLERANCES: (UNLESS SPECIFIED) 一般公差	SCALE	DESIGN UNITS	THIRD ANGLE PROJECTION	DIMENSIONS: <input type="checkbox"/> mm <input type="checkbox"/> INCH <input checked="" type="checkbox"/> mm ONLY	SHT	REV
10 UNDER 未満	—	<input checked="" type="checkbox"/> mm <input type="checkbox"/> INCH	<input checked="" type="checkbox"/> THIRD ANGLE <input type="checkbox"/> FIRST ANGLE			
10 OVER 30 UNDER 未満	±0.2					
30 OVER 以上	±0.25					
	±0.3					
ANGLE 角度	±3°					

65550-**-17	MODEL No.	DIMENSIONS:		SHT	REV
		<input type="checkbox"/> mm <input type="checkbox"/> INCH	<input checked="" type="checkbox"/> mm ONLY		
DRAWN BY & DATE M.FUJIKURA '99/03/24		TITLE: 0.5 FPC Conn ZIF Hsg Assy FOR SMT RA UPPER CONTACT			
CHECKED BY & DATE S.KUNISHI '99/03/24		MOLEX INCORPORATED			
APPROVED BY & DATE M.FUKUSHIMA '99/03/24		MATERIAL NO.	DRAWING NO.	SHEET NO.	
CAD FILENAME SD-54550-005.S01		SEE CHART	SD-54550-005	1 OF 2	
THIS DRAWING CONTAINS INFORMATION THAT IS PROPRIETARY TO MOLEX INCORPORATED AND SHOULD NOT BE USED WITHOUT WRITTEN PERMISSION.					
					SIZE B

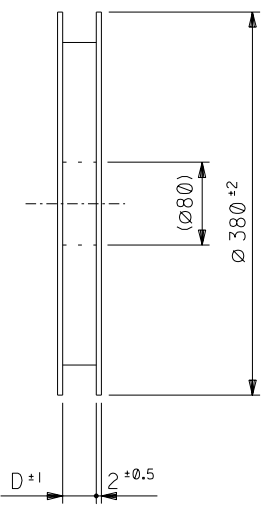
SD-54550-005.S01



引き出し方向  
PULL OUT



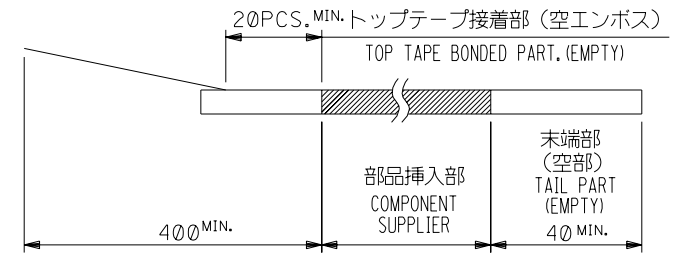
DETAIL "F"



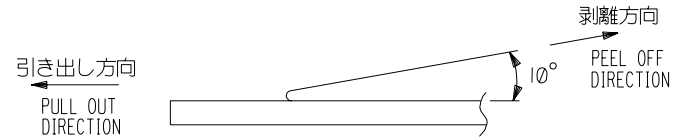
NOTES

- 製品詳細寸法については図面 54550-\*\*17 を参照下さい。  
RE DETAILED DIMENSION, SEE 54550-\*\*17
- 梱包数量：3000個/リール  
NUMBER OF CONNECTORS : 3000PCS/REEL
- リードテープ長さ LEAD TAPE LENGTH

引き出し方向  
PULL OUT DIRECTION



- トップテープの剥離強度：0.1N ~ 0.7N(10.2gf ~ 71.4gf)  
(剥離方向は下図参照)  
尚、本規格値は出荷時に適用。(但し、輸送時に剥離が発生しないこと。)  
PEELING OFF FORCE OF TOP TAPE : 0.1N ~ 0.7N(10.2gf ~ 71.4gf)  
(PEELING DIRECTION AS SHOWN IN FOLLOWING FIG.)  
THIS REQUIREMENT SHOULD BE APPLIED AT SHIPMENT.  
PEEL OFF SHOULD NOT BE ALLOWED ,DURING TRANSPORTATION.

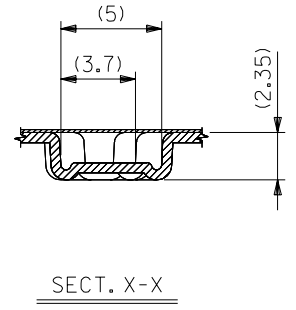
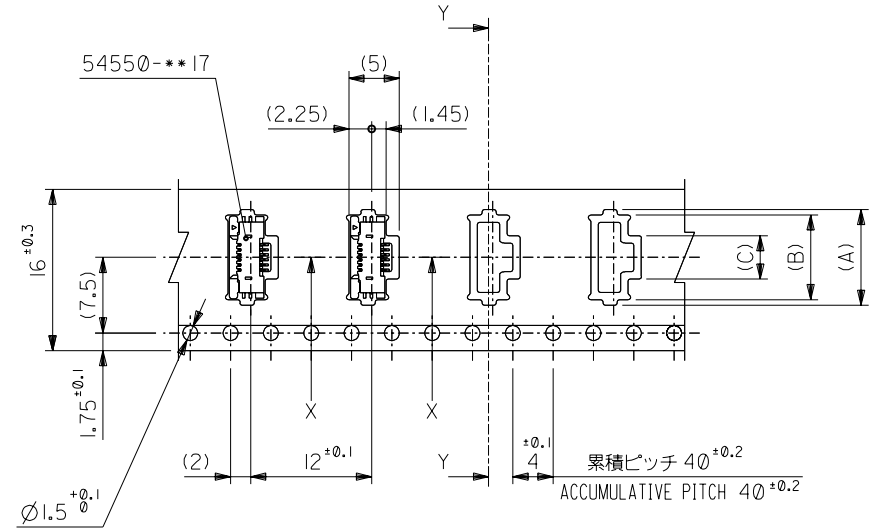
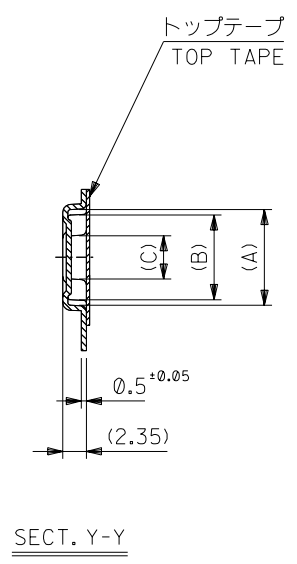


- 材料(MATERIAL)  
キャリアテープ(CARRIER TAPE)：ポリプロピレン(POLYPROPYLENE)  
トップテープ(TOPTAPE)：PET, PE, PEF  
リール(REEL)：ポリスチレン (PS) <リサイクル材を含む>  
POLYSTYREN(PS) <RECYCLE MATERIAL CONTAINED>

EC NO. DRWN: CH'K: APPR:	EC NO. DRWN: CH'K: APPR:	EC NO. J2004-0609 DRWN: R.SUMIYA '03/09/17 CH'K: T.ITO '03/09/17 APPR: I.YAMAGUCHI '03/09/17	EC NO. J2003-2548 DRWN: M.FUJIKURA '03/04/03 CH'K: K.KASAKAWA '03/04/04 APPR: I.YAMAGUCHI '03/04/04	EC NO. J2002-2828 DRWN: T.HANYU '02/5/15 CH'K: M.SASAO '02/5/15 APPR: M.SASAO '02/5/15	MATERIAL 材料 注記参照 SEE NOTES	GENERAL TOLERANCES: (UNLESS SPECIFIED) 一般公差	54550-**90	MODEL No.	DIMENSIONS: <input type="checkbox"/> mm <input type="checkbox"/> INCH <input checked="" type="checkbox"/> mm ONLY	SHT	REV	
REVISED	REVISED	M	L	K	FINISH 仕上げ //	10 UNDER 未満 ±0.2	SCALE #	DESIGN UNITS <input checked="" type="checkbox"/> mm <input type="checkbox"/> INCH	THIRD ANGLE PROJECTION	TITLE: 0.5 FPC Conn ZIF Hsg Assy SMT RA Upper Contact Embstp Pkg	REVISE ON CAD ONLY	
WIRE RANGE 適用層線範囲 //	INS. RANGE 被覆外径 //	30 OVER 30 UNDER 未満 ±0.25	30 OVER 以上 ±0.3	ANGLE 角度 ±3°	DRAWN BY & DATE M.FUJIKURA '99/03/24	APPROVED BY & DATE M.FUKUSHIMA '99/03/24	CAD FILENAME SD-54550-006.S01	MOLEX INCORPORATED	MATERIAL NO. SEE CHART	DRAWING NO. SD-54550-006	SHEET NO. 1 OF 4	
8	7	6	5	4	3	2	1	THIS DRAWING CONTAINS INFORMATION THAT IS PROPRIETARY TO MOLEX INCORPORATED AND SHOULD NOT BE USED WITHOUT WRITTEN PERMISSION.				SIZE B
											EN-02J(097) MXJ-54	

DWG. NO. SD-54550-006

引き出し方向  
PULL OUT DIRECTION



16mm幅キャリアテープ  
16mm WIDTH CARRIER TAPE

16	17.5	4.3	8.4	9.5	54550-0690	6
		3.8	7.9	9	54550-0590	5
キャリアテープ幅 CARRIER TAPE WIDTH	D	(C)	(B)	(A)	製品番号 MATERIAL No.	極数 Ck+

DO NOT SCALE DRAWING

EC NO. DRAWN: CHK: APPR:	EC NO. DRAWN: CHK: APPR:	EC NO. DRAWN: CHK: APPR:	EC NO. DRAWN: CHK: APPR:	EC NO. DRAWN: CHK: APPR:	EC NO. DRAWN: CHK: APPR:
	M	L	K		

DESCRIPTION	MATERIAL 材料	FINISH 仕上げ	WIRE RANGE 適用電線範囲	INS. RANGE 被覆外径
	SHEET 1 OF 4 参照 REFER TO SHEET 1 OF 4	//	//	//

GENERAL TOLERANCES: (UNLESS SPECIFIED) 一般公差	SCALE	DESIGN UNITS	THIRD ANGLE PROJECTION
10 UNDER 未満 ±0.2	—	mm □ INCH	☉ □
10 OVER 以上 30 UNDER 未満 ±0.25			
30 OVER 以上 ±0.3			
ANGLE 角度 ±3°			

54550-**90	MODEL No.	DIMENSIONS:	SHT	REV
		□ mm □ INCH □ mm □ INCH		
DRAWN BY & DATE M.FUJIKURA '99/03/24	TITLE:	0.5 FPC Conn ZIF Hsg Assy SMT RA Upper Contact Embstp Pkg		
CHECKED BY & DATE S.KUNISHI '99/03/24	MOLEX INCORPORATED			
APPROVED BY & DATE M.FUKUSHIMA '99/03/24	MATERIAL NO.	DRAWING NO.	SHEET NO.	
CAD FILENAME SD-54550-006.S02	SEE CHART	SD-54550-006	2 OF 4	
THIS DRAWING CONTAINS INFORMATION THAT IS PROPRIETARY TO MOLEX INCORPORATED AND SHOULD NOT BE USED WITHOUT WRITTEN PERMISSION.				SIZE B

SD-54550-006.S02



