

**PLEASE CHECK WWW.MOLEX.COM FOR LATEST PART INFORMATION**

**Part Number:** [0353620450](#)  
**Status:** **Active**  
**Overview:** [Sherlock™ Connector System](#)  
**Description:** 2.00mm Pitch Sherlock™ Wire-to-Board Header, Vertical, with Positive Lock, 4 Circuits, with Kinked PC Tails, Natural

**Documents:**

[3D Model](#) [Packaging Specification PK-35362-001 \(PDF\)](#)  
[Drawing \(PDF\)](#) [RoHS Certificate of Compliance \(PDF\)](#)  
[Product Specification PS-35507-003-001 \(PDF\)](#)

**Agency Certification**

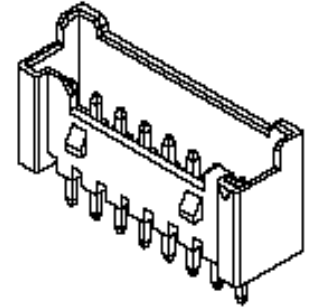
CSA LR19980  
 UL E29179

**General**

Product Family PCB Headers  
 Series [35362](#)  
 Application Signal, Wire-to-Board  
 MolexKits Yes  
 Overview [Sherlock™ Connector System](#)  
 Product Name Sherlock™  
 UPC 822348259199

**Physical**

Breakaway No  
 Circuits (Loaded) 4  
 Circuits (maximum) 4  
 Color - Resin Natural  
 Durability (mating cycles max) 30  
 First Mate / Last Break No  
 Flammability 94V-0  
 Glow-Wire Compliant No  
 Guide to Mating Part No  
 Keying to Mating Part None  
 Lock to Mating Part Yes  
 Mated Height 8.50mm  
 Material - Plating Mating Tin  
 Material - Plating Termination Tin  
 Material - Resin Nylon  
 Net Weight 0.285/g  
 Number of Rows 1  
 Orientation Vertical  
 PC Tail Length 3.30mm  
 PCB Locator No  
 PCB Retention Yes  
 PCB Thickness - Recommended 1.60mm  
 Packaging Type Bag  
 Pitch - Mating Interface 2.00mm  
 Pitch - Termination Interface 2.00mm  
 Polarized to Mating Part Yes  
 Polarized to PCB No  
 Shrouded Partial  
 Stackable No  
 Surface Mount Compatible (SMC) No  
 Temperature Range - Operating -40°C to +105°C  
 Termination Interface: Style Through Hole



Series image - Reference only

**EU ELV**

**Not Relevant**

**EU RoHS**

**Compliant**

**REACH SVHC**

Not Contained Per  
 -ED/01/2017 (12  
 January 2017)

**Halogen-Free**

**Status**

**Low-Halogen**

**Need more information on product environmental compliance?**

Email [productcompliance@molex.com](mailto:productcompliance@molex.com)  
 Please visit the [Contact Us](#) section for any non-product compliance questions.

China ROHS Green Image  
 ELV Not Relevant  
 RoHS Phthalates Not Contained

**Search Parts in this Series**

[35362](#) Series

**Mates With**

[35507](#) Sherlock™ Wire-to-Board Housing

**Use With**

[50212-8000](#) Terminal

**Electrical**

Current - Maximum per Contact 2.0A  
Voltage - Maximum 125V

**Material Info****Reference - Drawing Numbers**

Packaging Specification PK-35362-001  
Product Specification PS-35507-003-001  
Sales Drawing SD-35362-002

This document was generated on 07/20/2017

**PLEASE CHECK [WWW.MOLEX.COM](http://WWW.MOLEX.COM) FOR LATEST PART INFORMATION**