

PLEASE CHECK WWW.MOLEX.COM FOR LATEST PART INFORMATION

Part Number: [0511161601](#)
Status: **Active**
Description: 4.00mm Pitch, OBD-II Wire-to-Wire Receptacle Housing, Flange Mount, 16 Circuits

Documents:

[3D Model](#) [Application Specification AS-51115-001-001 \(PDF\)](#)
[Drawing \(PDF\)](#) [RoHS Certificate of Compliance \(PDF\)](#)
[Product Specification PS-51115-001 \(PDF\)](#)

General

Product Family	Crimp Housings
Series	51116
Application	Power, Wire-to-Wire
Product Name	OBD-II
UPC	800754236980

Physical

Circuits (maximum)	16
Color - Resin	Black
Gender	Receptacle
Glow-Wire Compliant	No
Keying to Mating Part	None
Lock to Mating Part	Yes
Material - Resin	Polyester
Net Weight	10474.200/mg
Number of Rows	2
Packaging Type	Bag
Panel Mount	No
Pitch - Mating Interface	4.00mm
Stackable	No
Temperature Range - Operating	-40°C to +85°C

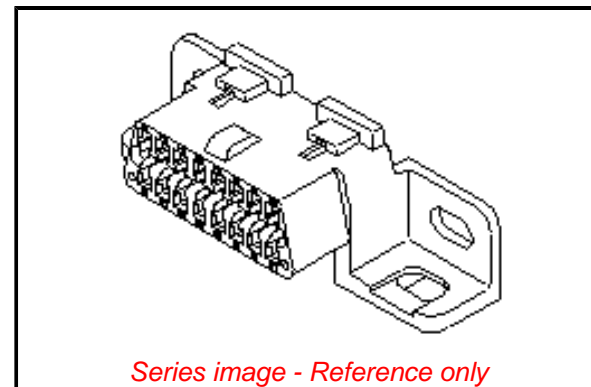
Solder Process Data

Lead-freeProcess Capability	N/A
-----------------------------	-----

Material Info

Reference - Drawing Numbers

Application Specification	AS-51115-001-001
Product Specification	PS-51115-001
Sales Drawing	SD-51116-**0*



EU ELV

Compliant

EU RoHS

Compliant

REACH SVHC

Not Contained Per -
ED/30/2017 (7 July
2017)

Halogen-Free

Status

Not Low-Halogen

Need more information on product environmental compliance?

Email productcompliance@molex.com
Please visit the [Contact Us](#) section for any non-product compliance questions.

China ROHS

ELV

RoHS Phthalates

Green Image

Compliant

Not Contained

Search Parts in this Series

[51116 Series](#)

Mates With

OBD-II Male Housing [68503-1602](#)

Use With

[50420](#) , [51118](#)