

PLEASE CHECK WWW.MOLEX.COM FOR LATEST PART INFORMATION

Part Number: [0522070690](#)
Status: **Planned for Obsolescence**
Description: 1.00mm (.039") SMT, Right Angle, ZIF, Top Contact Style Receptacle, 6 Circuits

Documents:

[3D Model](#) [Product Specification PS-52207-007 \(PDF\)](#)
[Drawing \(PDF\)](#) [RoHS Certificate of Compliance \(PDF\)](#)

Agency Certification

CSA LR19980
 UL E29179

General

Product Family FFC/FPC Connectors
 Series [52207](#)
 Product Name N/A

Physical

Circuits (Loaded) 6
 Contact Position Top
 Durability (mating cycles max) 10
 Entry Angle 90° Angle
 Flammability 94V-0
 Mated Height 2.70mm (.106")
 Material - Metal Phosphor Bronze
 Material - Plating Mating Tin-Lead
 Material - Plating Termination Tin-Lead
 Number of Rows 1
 Orientation Right Angle
 PC Tail Length 2.00mm (.079")
 PCB Locator No
 PCB Retention None
 Packaging Type Embossed Tape on Reel
 Pitch - Mating Interface 1.00mm (.039")
 Pitch - Termination Interface 1.00mm (.039")
 Plating min - Mating 3.048µm (120µ")
 Plating min - Termination 3.048µm (120µ")
 Polarized to PCB No
 Stackable No
 Surface Mount Compatible (SMC) N/A
 Temperature Range - Operating -20°C to +85°C
 Termination Interface: Style Surface Mount
 Wire/Cable Type FFC/FPC

Electrical

Current - Maximum per Contact 1A
 Voltage - Maximum 125V

Solder Process Data

Replacement RoHS Compliant Part Number 0522070685

Material Info

Reference - Drawing Numbers

Product Specification PS-52207-007, RPS-52207-001, RPS-52207-002, RPS-52207-003, RPS-52207-004, RPS-52207-005, RPS-52207-006, RPS-52207-007, RPS-52207-008,

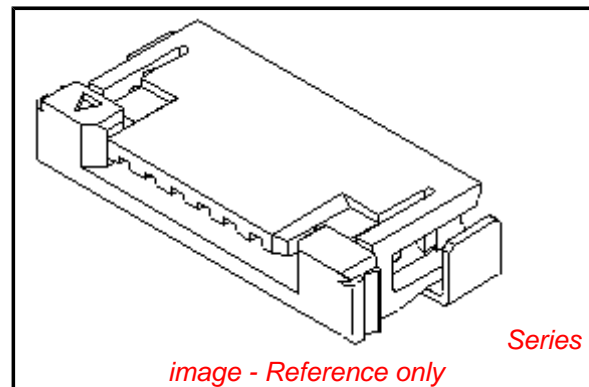


image - Reference only

EU RoHS

Not RoHS Compliant
REACH SVHC
Contains SVHC: No
Low-Halogen Status
Not Low-Halogen

China RoHS



Need more information on product environmental compliance?

Email productcompliance@molex.com
 For a multiple part number RoHS Certificate of Compliance, [click here](#)

Please visit the [Contact Us](#) section for any non-product compliance questions.

Search Parts in this Series

[52207Series](#)

Sales Drawing

RPS-52207-011, RPS-52207-012, RPS-52207-013,
RPS-52207-015, RPS-52207-042, RPS-52207-045,
RPS-52207-046, RPS-52207-048, RPS-52207-049,
RPS-52207-053, RPS-52207-055, RPS-52207-056,
RPS-52207-058, RPS-52207-060, RPS-52207-061,
RPS-52207-062, RPS-52207-066, RPS-52207-071,
RPS-52207-077, RPS-52207-085
SD-52207-**17, SD-52207-**90

This document was generated on 05/18/2011

PLEASE CHECK WWW.MOLEX.COM FOR LATEST PART INFORMATION