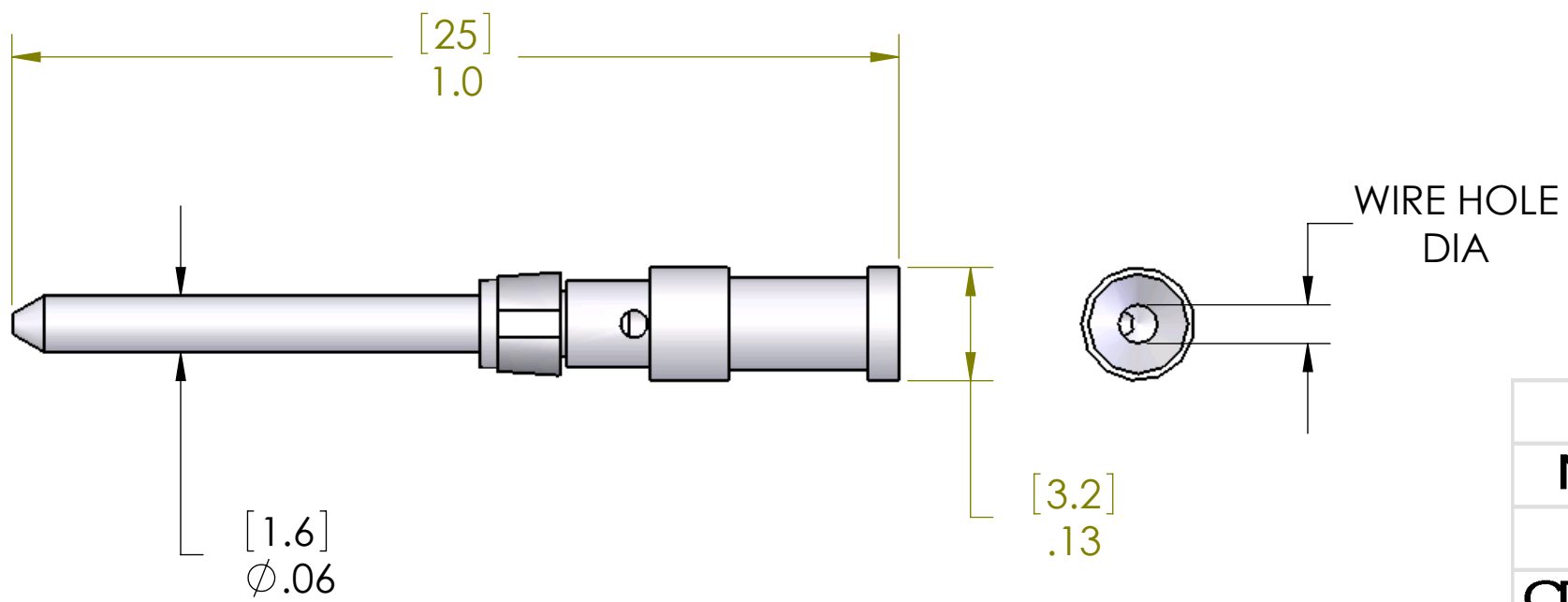


REVISIONS			
REV.	DESCRIPTION	DATE	APPROVED
A	redrawn in sw	5/31/2005	



SUGGESTED WIRE STRIP: 0.31 [8]

PART NUMBER	WIRE AVG	WIRE HOLE DIAM	SQ MM
CDMA-0.3	22 - 26	0.035 [0.9]	0.3
CDMA-0.5	20	0.043 [1.1]	0.5
CDMA-0.7	18	0.051 [1.3]	0.75
CDMA-1.0	18	0.057 [1.45]	1.0
CDMA-1.5	16	0.071 [1.8]	1.5
CDMA-2.5	14	0.087 [2.2]	2.5

MATERIALS	
BODY:	SILVER PLATED COPPER ALLOY
CLIP:	STAINLESS STEEL

PROPRIETARY AND CONFIDENTIAL
 THE INFORMATION CONTAINED IN THIS DRAWING IS THE SOLE PROPERTY OF MENCOM CORPORATION. ANY REPRODUCTION IN PART OR AS A WHOLE WITHOUT THE WRITTEN PERMISSION OF MENCOM CORPORATION IS PROHIBITED.

UNLESS OTHERWISE SPECIFIED: DIMENSIONS ARE IN INCHES AND [MM]	DRAWN	NAME	MENCOM CORPORATION
	CHECKED	BEM	
	ENG APPR.		
	MFG APPR.		
	Q.A.		
	COMMENTS:		
MATERIAL			TITLE:
FINISH			MALE 10A CRIMP PIN
DO NOT SCALE DRAWING			SIZE DWG. NO. REV
			B CDMA-X.X A
			SCALE: 5:1 WEIGHT: SHEET 1 OF 1