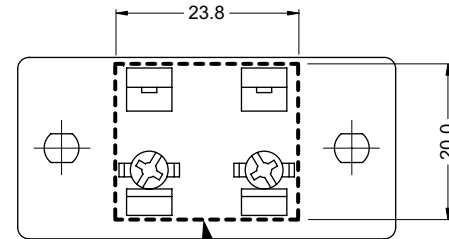
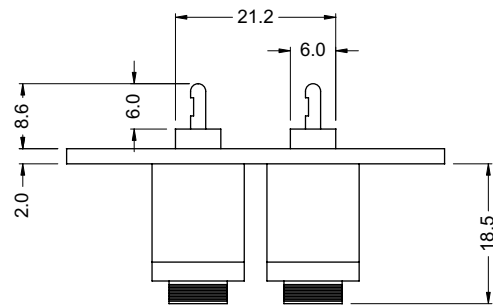


BACK VIEW



PANEL OPENING WITH DIMENSIONS



TITLE		SCALE
SPEAKER TERMINAL		NTS
DRAWING NO. 58-098		
		UNITS mm
FILE NAME 58-098.pdf		SHEET 1/1