

M300 Connectors

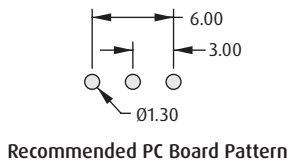
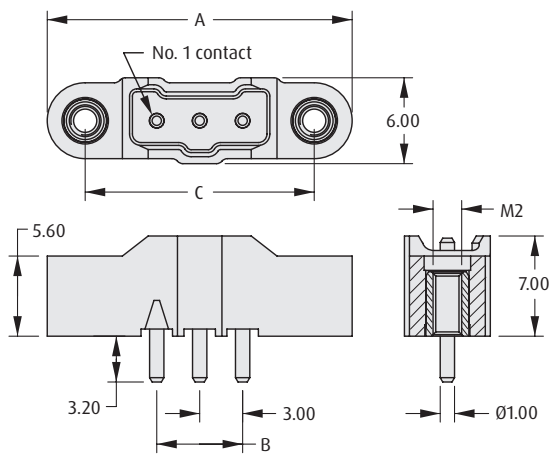
Male Throughboard

- 10A current capacity, resists high vibration and shock.
- Withstands extremes of temperature: -65°C to +175°C.

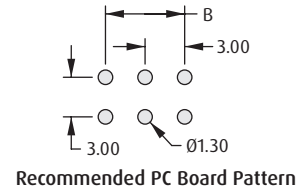
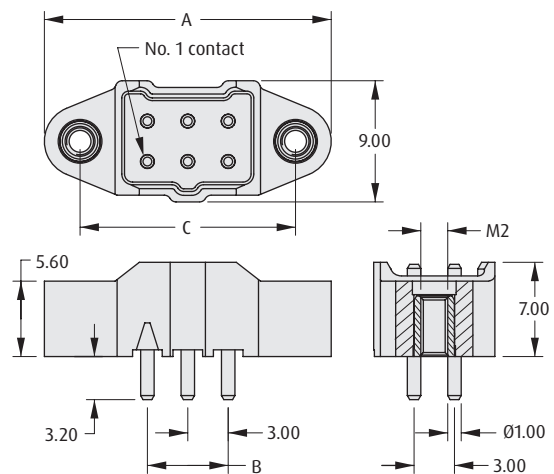


M300

SINGLE ROW



DOUBLE ROW



CALCULATION

A	$B + 15.3$
B	$3 \times (\text{No. of contacts per row} - 1)$
C	$B + 10$

HOW TO ORDER

M300 - M VX XX 45 M1

SERIES CODE

GENDER

M Male

TYPE

V1 Single Row
V3 Double Row

TYPE

M1 Jackscrew

FINISH

45 Gold

TOTAL NO. OF CONTACTS

03 Single Row
06, 10 Double Row

All dimensions in mm.