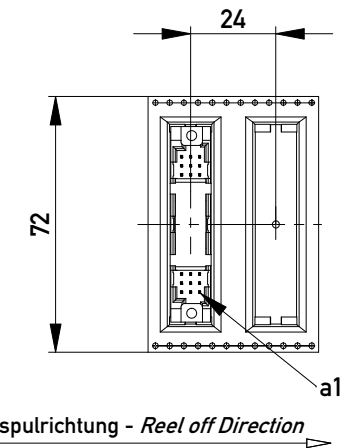
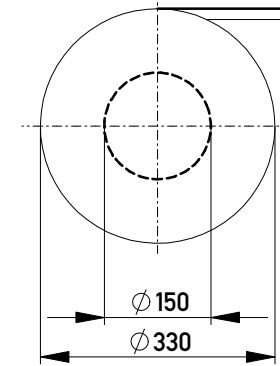
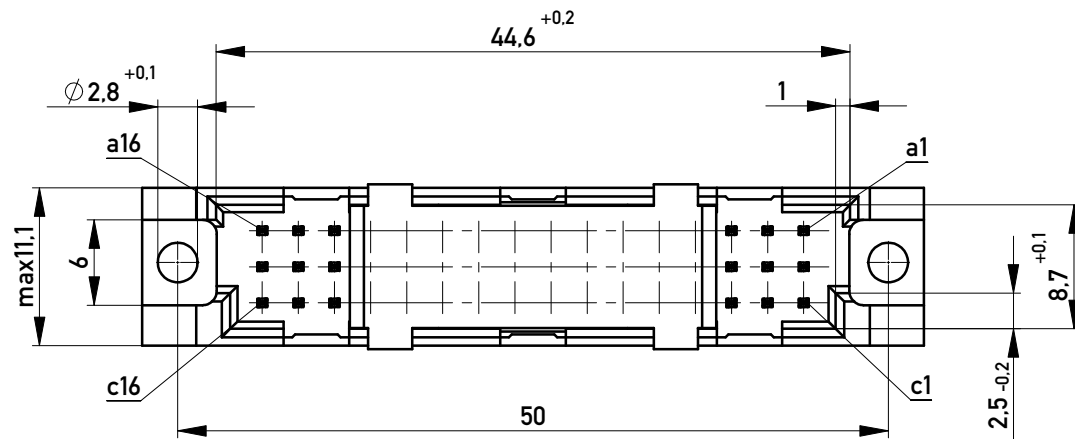
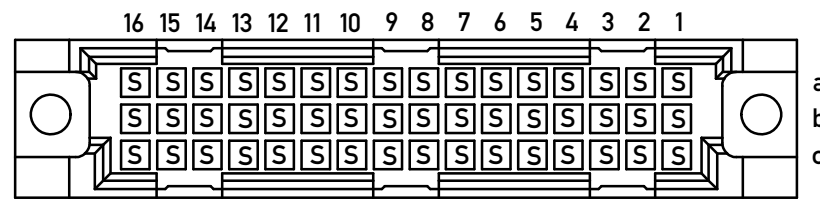


E = early mate, late break / voreilend
 S = standard
 L = late mate, early break / nacheilend

Verpackt im Gurt in Anlehnung an DIN IEC 60286-3
 tape on reel packaging according to DIN IEC 60286-3
 Verpackungseinheit: 120 Stück
 packaging unit: 120 pcs

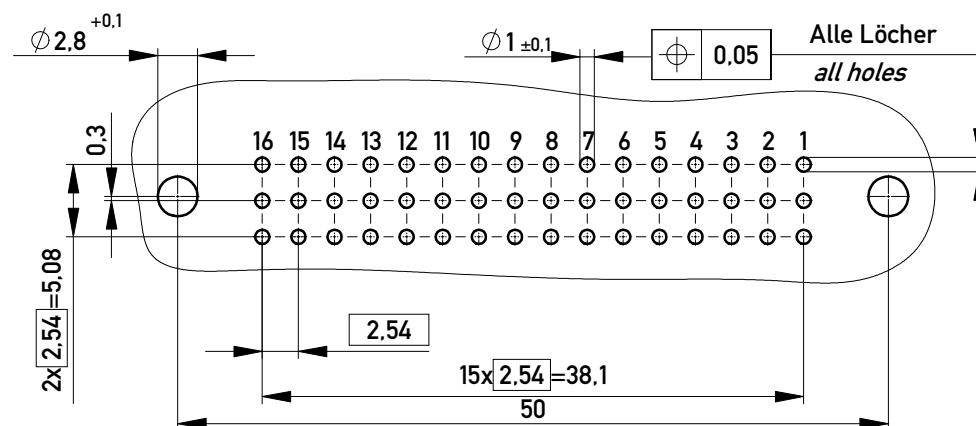


Bestückungsplan / contact layout



THR = through hole reflow
 Bauart 4 / type 4
 Anforderungsstufe 2 = 400 Steckzyklen / performance class 2 = 400 mating cycles
 Fehlende Maße und Angaben nach IEC 60 603-2 / DIN EN 60 603-2
 Missing information and dimensions per IEC 60 603-2 / DIN EN 60 603-2

Leiterplatten-Lochbild / PCB drillhole pattern



Information: Ansaughaube hood	Tolerances	Scale 2:1	Designation Messerleiste R/2, 48 THR Male Connector R/2, 48 THR
	All rights reserved. Only for Information. To ensure that this is the latest version of this drawing, please contact one of the ERNI companies before using.		
Copyright by ERNI Production GmbH & Co. KG Proprietary notice pursuant to ISO 16016 to be observed.	Subject to modification without prior notice. Drawing will not be updated.	www.ERNI.com	374853
	ERNI		Class STVR/2
d	21.09.2017		I
Index	Date		A3