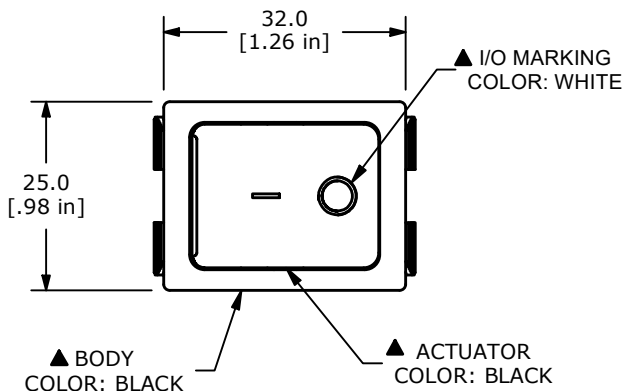
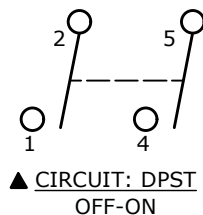


PANEL CUTOUT

PANEL THICKNESS	(x)
0.75 - 1.25	30.0
1.25 - 2.00	30.2
2.00 - 3.00	30.5

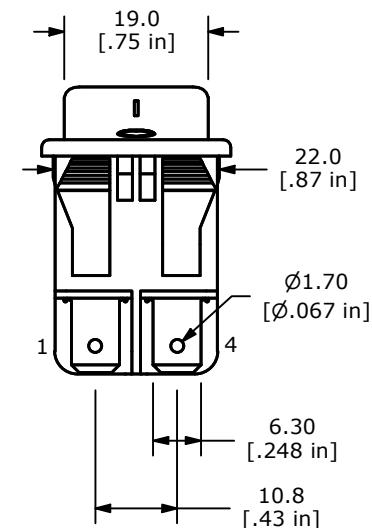
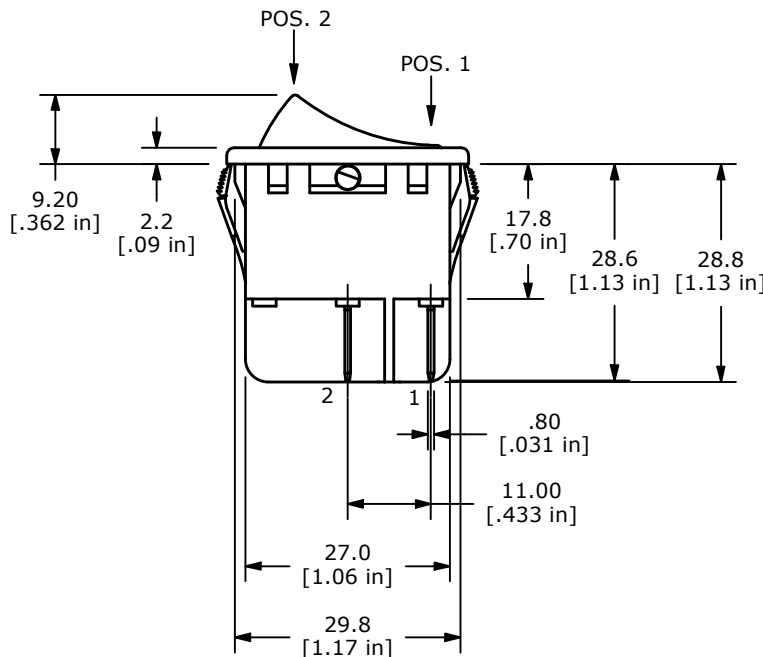


SWITCH FUNCTION	
POS. 1	POS. 2
OFF	ON
OPEN	2-1, 5-4



NOTE:

1. DIMENSIONS IN MM [INCH]
2. GENERAL TOLERANCE: X.X = ± 0.4  
X.XX = ± 0.25
3. TERMINAL NUMBERS FOR REF ONLY
4. CONTACT MATERIAL: SILVER
- ▲ 5. CONTACT RATINGS: ANSI/UL 61058-1  
16A @ 125/250VAC [cURus]  
20A @ 125VAC [cURus]  
1/3HP 125/250VAC [cURus]  
3/4HP 125/250VAC [cURus]
6. CONTACT RESISTANCE: 20mΩ MAX. INITIAL
7. INSULATION RESISTANCE: 100MΩ MIN. @ 500VDC
8. DIELECTRIC STRENGTH: 1,000VAC FOR 1 MINUTE
9. ELECTRICAL LIFE: 6,000 CYCLES [cURus]
10. OPERATING TEMPERATURE: 0°C TO 65°C
11. ▲ DENOTES CRITICAL PARAMETER
- ▲ 12. ILLUMINATION: NON-ILLUMINATED



REV	ECO NO	DESCRIPTION	DATE	BY
E	ECO-102311	CORRECT SWITCH FUNCTION AND CIRCUIT	10/24/23	JS



OBJECT ID  
000000307

TITLE RB242D1121		SCALE 1:1	DATE 8/9/2022	DR JS	DWG 14-RB242D1121	REV E
---------------------	--	--------------	------------------	----------	----------------------	----------