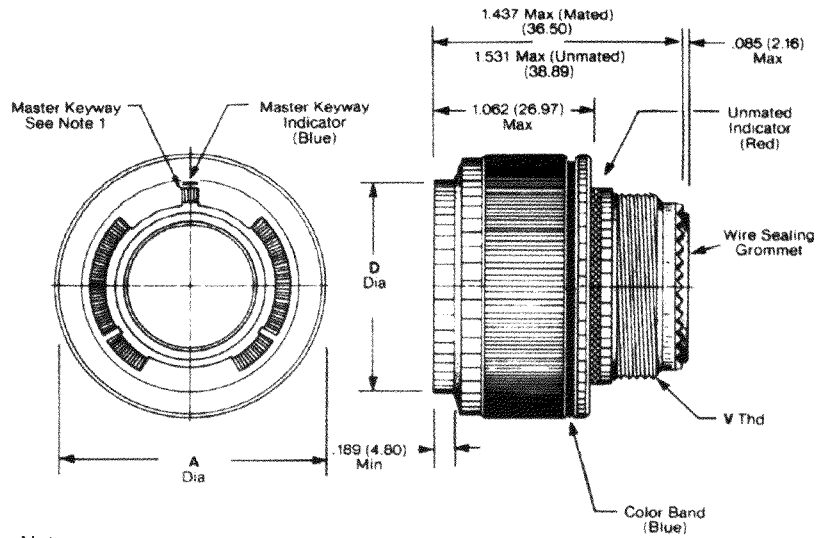


Straight Plug



Notes:

1. Key/Keyway position N shown.
For alternate polarization, consult factory.
2. For complete part number, consult factory.

Shell Size	A Dia. Max.		D Dia. Max.		V Thd. Metric
	In.	mm	In.	mm	
11	1.047	26.6	.775	19.7	M15x1.0-6g-0.1R
13	1.220	31.0	.901	22.9	M18x1.0-6g-0.1R
15	1.346	34.2	1.039	26.4	M22x1.0-6g-0.1R
17	1.472	37.4	1.149	29.2	M25x1.0-6g-0.1R
19	1.583	40.2	1.275	32.4	M28x1.0-6g-0.1R
21	1.704	43.3	1.401	35.6	M31x1.0-6g-0.1R
23	1.831	46.5	1.527	38.8	M34x1.0-6g-0.1R
25	1.957	49.7	1.649	41.8	M37x1.0-6g-0.1R

This information is for reference only. Consult factory for envelope drawings, updated specifications, and additions to the product line.

