



DEUTSCH



Wildcat High Density Connectors

Innovative Interconnection Solutions

Contents

Introduction	3
--------------	---

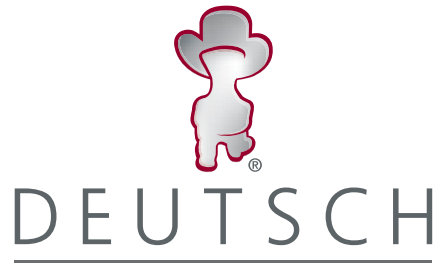
Wildcat Micro	4
----------------------	----------

Contact Arrangement	5
Dimensional Information	5-9
Hermetic Receptacles	8
Triple Start Threaded	9
Contact and Tooling Information	9
Accessories Information	9
Ordering Information	10

Wildcat Series 3	11
-------------------------	-----------

Contact Arrangement	12
Dimensional Information	12-13
Contact and Tooling Information	13
Accessories Information	14
Ordering Information	14

Wildcat Capability	15
---------------------------	-----------



Wildcat

Wildcat is a range of high performance circular connectors from Deutsch specifically designed for harsh environment applications where space and weight saving are of critical importance. The extremely high density contact layout affords almost double the number of connections found in similar sized connectors yet retains the high performance expected for aerospace and military applications.

The connector housings for the 'Wildcat Series 3' are based on the proven military standard 'MIL-DTL-38999 Series 3' with the range further complimented by a miniature sized 'Micro' series offering a significant reduction in shell size with a number of high density contact layouts.

Wildcat Micro

These extremely compact connectors are based on the proven HDJ / JN1003 range and are available in two housing sizes with four contact layouts with between 3 and 9 contacts.

A robust bayonet mechanism enables quick and positive coupling with an anti-vibration triple-start threaded option also available. Various mounting options are available and the rear accessory feature provides for cable braid and boot termination.



Wildcat Series 3

Based on MIL-DTL-38999 Series 3 technology the connectors are available in four housing sizes with between 11 and 64 contacts which provide almost double the contact density for a given 38999 connector size. The triple-start threaded interface provides a robust and high-reliability coupling mechanism with a high level of resistance to shock and vibration.

Mounting and rear accessory options are available enabling either backshell or cable braid and boot termination. As with the Micro series, the connectors are fully sealed with rear removable contacts and available in various plating and material finishes.



Wildcat Micro



Features

- Robust design and construction
- High density contact spacing
- Lightweight materials
- Material and plating options
- 4 contact layout options
- Bayonet and threaded coupling
- Scalloped / knurled coupling ring
- Scoop proof interface
- 3-5 Amps per contact
- Rear removable crimp and PCB contacts
- Various plating and material options
- Cable braid and boot rear feature
- Fully sealed cable and mating interface
- 7 keying options including 'Universal'
- Various flange mounting options

Benefits

- High reliability interconnection for demanding applications including military and aerospace
- Extreme temperature, vibration and corrosion resistance
- Provides space and weight savings over other connectors
- High number of mating cycles
- Bayonet provides quick positive locking
- Easy-grip coupling ring
- Suitable for both signal and low power applications
- Versatility through material and plating options
- Rear feature eliminates need for backshells
- Aggressive fluid and dust ingress prevention
- Keying prevents mating with incorrect connector

General Specification

Performance

- Temperature: -55°C to +170°C
- Durability: >500 cycles of engagement and disengagement
- Dielectric Withstand Voltage: 1000VAC
- Vibration: Sinusoidal 10 to 2000Hz. 30g Max. Random 50 to 2000Hz. 1g²/Hz.
- Fluid resistance: Connectors show no damage when exposed to a wide range of military and aerospace fluids
- Salt spray resistance: 500 hours (Cadmium finish)
- Sealing: IP67

Housing materials

- Shell and coupling ring: Aerospace grade aluminium alloy as standard
- Plating: Cadmium olive drab as standard
- *For other material and plating options see Wildcat Micro ordering information*
- Seals: Fluorinated silicone
- Insulators: High performance thermoplastic

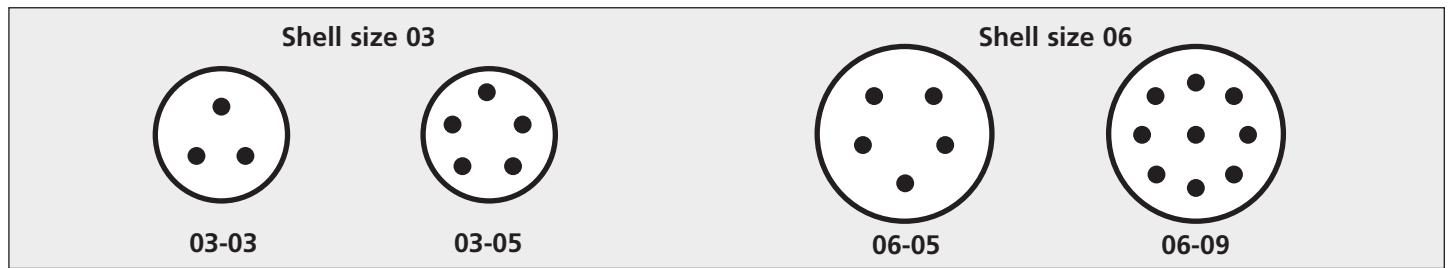
Contacts

- Machined from solid bar
- Gold plated copper alloy
- Crimp and PCB types
- Wire size: 22 to 28AWG (see contact table)
- Current: 3 to 5 Amps (see contact table)

Company Quality Approvals

- EASA Part 21
- BS EN 9100 / AS 9100 / ISO 9001
- Military Specification Approvals
- Underwriters Laboratories
- BS EN ISO 14001
- NADCAP Approval

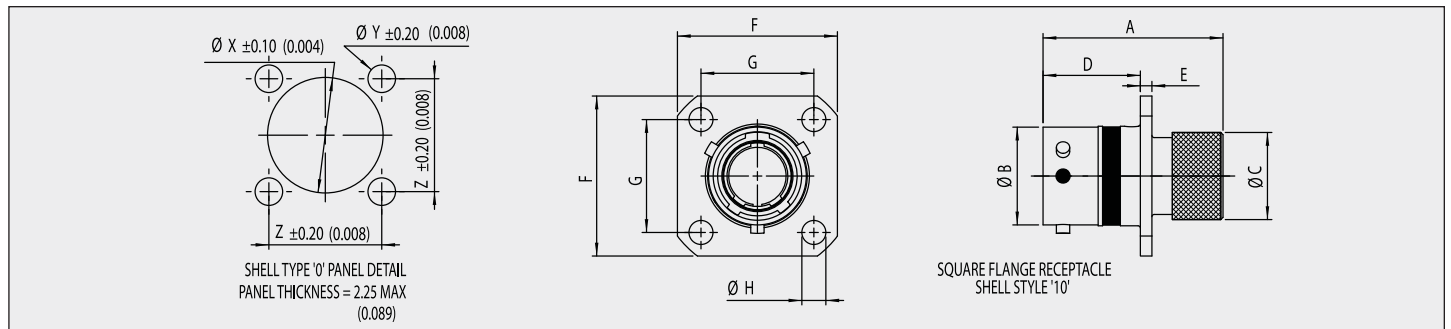
Contact Arrangement



Dimensional Information

All measurements are supplied in mm and inches. Inches are indicated on all tables by red italic text.

Square Flange Receptacle – Shell Type 0

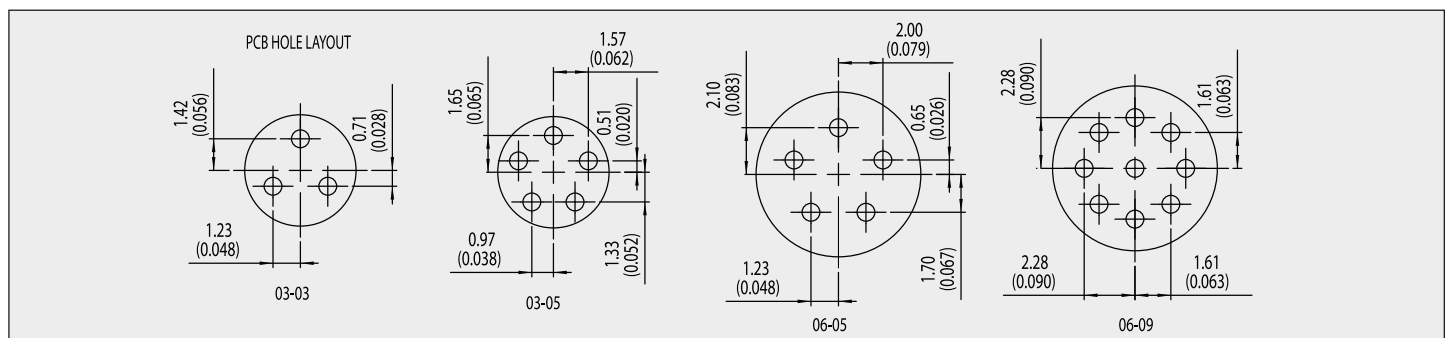
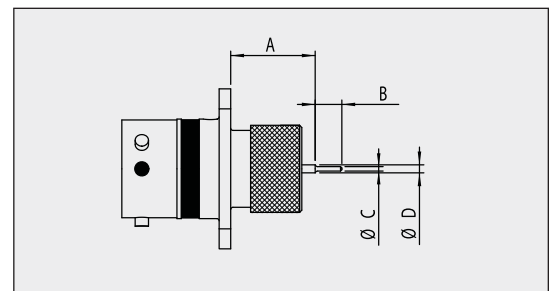


Square Flange Receptacle

Shell Size	A Max	ØB Max	ØC Max	D Max	E Max	F Max	G	ØH Min	ØX	ØY	Z
03	18.20	9.15	8.20	9.10	1.50	16.40	11.46	2.50	11.00	3.10	11.46
	<i>0.717</i>	<i>0.360</i>	<i>0.323</i>	<i>0.358</i>	<i>0.059</i>	<i>0.646</i>	<i>0.451</i>	<i>0.098</i>	<i>0.433</i>	<i>0.122</i>	<i>0.451</i>
06	20.45	11.15	10.05	11.10	1.50	18.20	12.70	2.50	13.00	3.10	12.70
	<i>0.805</i>	<i>0.439</i>	<i>0.396</i>	<i>0.437</i>	<i>0.059</i>	<i>0.717</i>	<i>0.500</i>	<i>0.098</i>	<i>0.512</i>	<i>0.122</i>	<i>0.500</i>

PCB Tail Dimensions

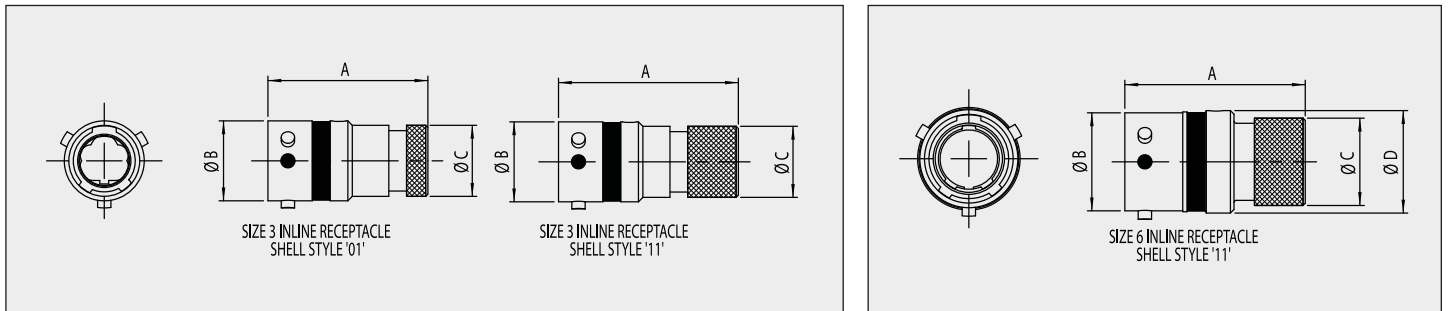
Layout	P/N Option Code	Contact Tail	Part No.		A		B Max	ØC Max	ØD Max
			Pins	Sockets	Max	Min			
03-03	-110	LONG	605679-31	605681	15.03	13.92	3.05	0.70	1.23
					<i>0.592</i>	<i>0.548</i>	<i>0.120</i>	<i>0.028</i>	<i>0.048</i>
03-03	-111	SHORT	610292-31	610944	9.83	8.72	3.05	0.70	1.23
					<i>0.387</i>	<i>0.343</i>	<i>0.120</i>	<i>0.028</i>	<i>0.048</i>
03-05	-120	LONG	610006-31	610008	15.71	14.58	3.05	0.57	0.94
					<i>0.619</i>	<i>0.574</i>	<i>0.120</i>	<i>0.022</i>	<i>0.037</i>
03-05	-121	SHORT	610294-31	610945	10.71	9.58	3.05	0.57	0.94
					<i>0.422</i>	<i>0.377</i>	<i>0.120</i>	<i>0.022</i>	<i>0.037</i>
06-05	-130	LONG	604990-31	604992	14.91	14.12	3.05	0.57	1.26
					<i>0.587</i>	<i>0.556</i>	<i>0.120</i>	<i>0.022</i>	<i>0.050</i>
06-05	-131	SHORT	610293-31	610916	9.91	8.12	3.05	0.57	1.26
					<i>0.390</i>	<i>0.320</i>	<i>0.120</i>	<i>0.022</i>	<i>0.050</i>
06-09	-140	LONG	610006-31	610008	14.92	14.14	3.05	0.57	0.94
					<i>0.587</i>	<i>0.557</i>	<i>0.120</i>	<i>0.022</i>	<i>0.037</i>
06-09	-141	SHORT	610294-31	610945	9.92	9.14	3.05	0.57	0.94
					<i>0.391</i>	<i>0.360</i>	<i>0.120</i>	<i>0.022</i>	<i>0.037</i>



Dimensional Information

All measurements are supplied in mm and inches. Inches are indicated on all tables by red italic text.

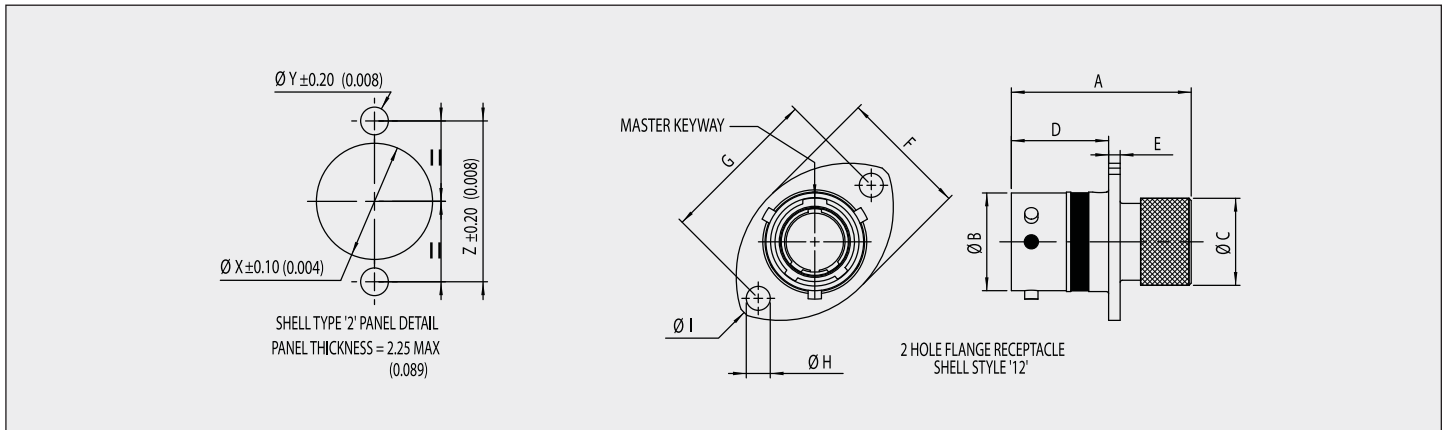
Inline Receptacle – Shell Type 1



Inline Receptacle

Shell Size	Shell Style	A Max	ØB Max	ØC Max	D Max
03	01	18.20	9.15	8.20	N/A
		<i>0.716</i>			
	11	20.45	<i>0.360</i>	<i>0.323</i>	
		<i>0.805</i>			
06	11	20.45	11.15	10.05	11.75
		<i>0.805</i>	<i>0.439</i>	<i>0.396</i>	<i>0.462</i>

2 Hole Flange Receptacle – Shell Type 2



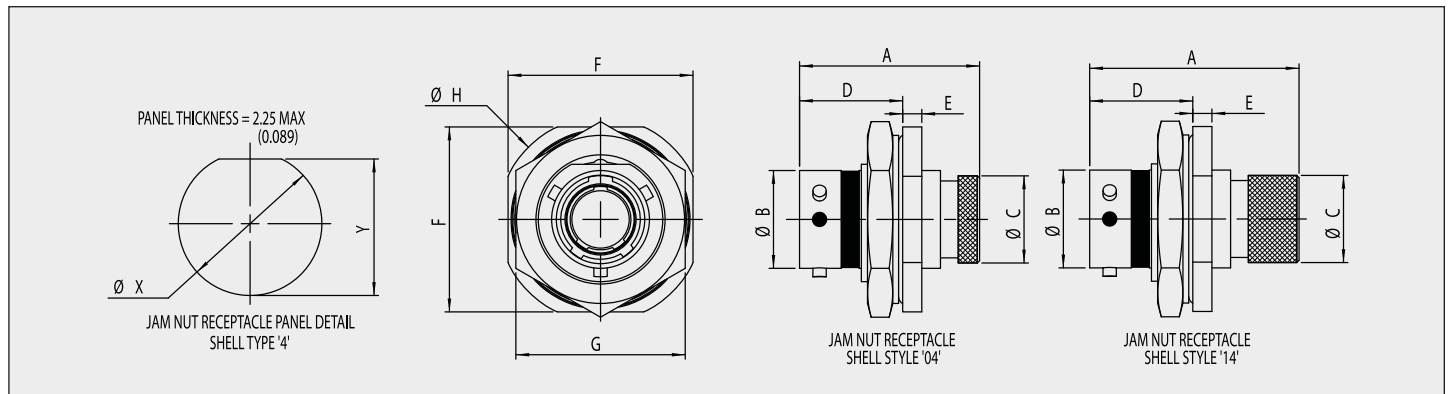
2 Hole Flange Receptacle

Shell Size	A Max	ØB Max	ØC Max	D Max	E Max	F Max	G	ØH Min	ØI Max	ØX	ØY	Z
03	18.20	9.15	8.20	9.10	1.50	13.40	16.20	2.50	20.75	11.00	3.10	16.20
	<i>0.717</i>	<i>0.360</i>	<i>0.323</i>	<i>0.358</i>	<i>0.059</i>	<i>0.528</i>	<i>0.638</i>	<i>0.098</i>	<i>0.817</i>	<i>0.433</i>	<i>0.122</i>	<i>0.638</i>
06	20.45	11.15	10.05	11.10	1.50	14.85	18.00	2.50	22.70	13.00	3.10	18.00
	<i>0.805</i>	<i>0.439</i>	<i>0.396</i>	<i>0.437</i>	<i>0.059</i>	<i>0.585</i>	<i>0.709</i>	<i>0.098</i>	<i>0.894</i>	<i>0.512</i>	<i>0.122</i>	<i>0.709</i>

Dimensional Information

All measurements are supplied in mm and inches. Inches are indicated on all tables by red italic text.

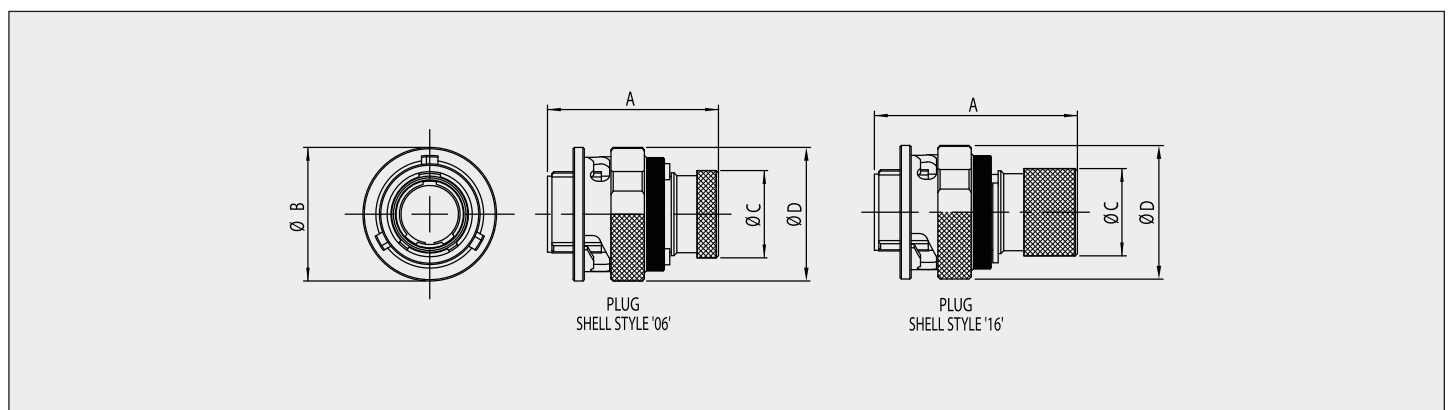
Jam Nut Receptacle – Shell Type 4



Jam Nut Receptacle

Shell Size	Shell Style	A Max	ØB Max	ØC Max	D Max	E Max	F Max	G Max	ØH Max	ØX	Y									
03	04	18.20	9.15	8.20	11.60	2.35	19.00	17.10	21.15	12.20	11.82									
		<i>0.717</i>										<i>0.360</i>	<i>0.323</i>	<i>0.457</i>	<i>0.748</i>	<i>0.673</i>	<i>0.833</i>	<i>0.480</i>	<i>0.465</i>	
	14	21.50										<i>0.846</i>	<i>0.396</i>	<i>0.461</i>	<i>0.827</i>	<i>0.758</i>	<i>0.911</i>	<i>0.652</i>	<i>0.611</i>	
		20.45										<i>0.805</i>	<i>0.439</i>	<i>0.396</i>	<i>0.461</i>	<i>0.827</i>	<i>0.758</i>	<i>0.911</i>	<i>0.652</i>	<i>0.611</i>
06	04	20.45	11.15	10.05	11.70		<i>0.093</i>	21.00	19.25	23.15	16.57	15.51								
		<i>0.805</i>					<i>0.439</i>						<i>0.396</i>	<i>0.461</i>	<i>0.827</i>	<i>0.758</i>	<i>0.911</i>	<i>0.652</i>	<i>0.611</i>	
	14	23.75					<i>0.935</i>						<i>0.439</i>	<i>0.396</i>	<i>0.461</i>	<i>0.827</i>	<i>0.758</i>	<i>0.911</i>	<i>0.652</i>	<i>0.611</i>
		<i>0.935</i>					<i>0.439</i>						<i>0.396</i>	<i>0.461</i>	<i>0.827</i>	<i>0.758</i>	<i>0.911</i>	<i>0.652</i>	<i>0.611</i>	

Free Plug – Shell Type 6



Free Plug

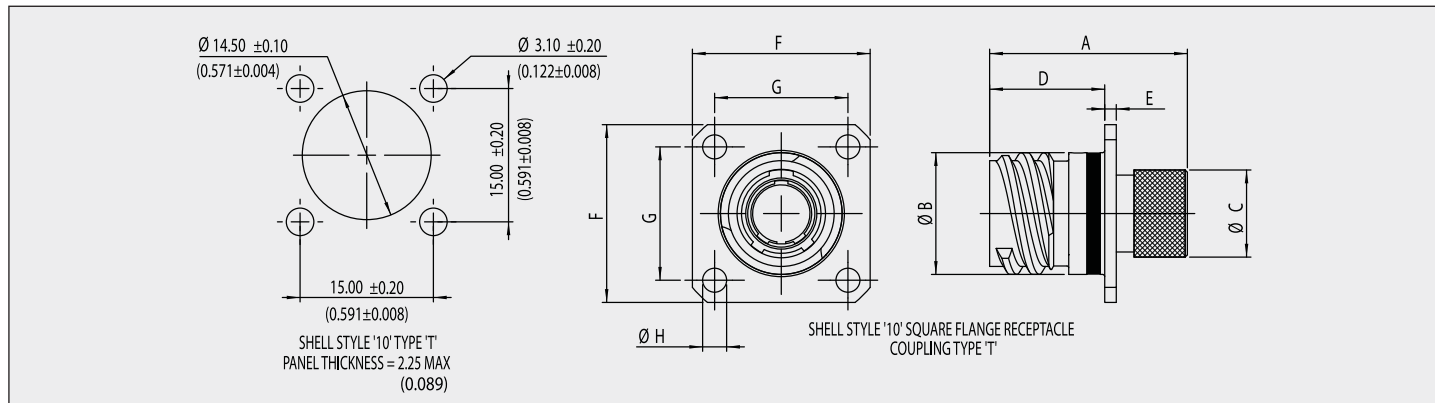
Shell Size	Shell Style	A Max	ØB Max	ØC Max	ØD Max						
					Scalloped (Standard)	Knurled (Option Code 'KCR')					
03	06	18.50	12.50	7.75	12.45	11.40					
		<i>0.728</i>					<i>0.492</i>	<i>0.305</i>	<i>0.490</i>	<i>0.449</i>	
	16	22.45					<i>0.884</i>	<i>0.492</i>	<i>0.305</i>	<i>0.490</i>	<i>0.449</i>
		<i>0.884</i>					<i>0.492</i>	<i>0.305</i>	<i>0.490</i>	<i>0.449</i>	
06	06	19.40	15.15	10.00	15.10	13.55					
		<i>0.764</i>					<i>0.596</i>	<i>0.394</i>	<i>0.594</i>	<i>0.533</i>	
	16	23.00					<i>0.906</i>	<i>0.596</i>	<i>0.394</i>	<i>0.594</i>	<i>0.533</i>
		<i>0.906</i>					<i>0.596</i>	<i>0.394</i>	<i>0.594</i>	<i>0.533</i>	

Dimensional Information

All measurements are supplied in mm and inches. Inches are indicated on all tables by red italic text.

Triple Start Threaded

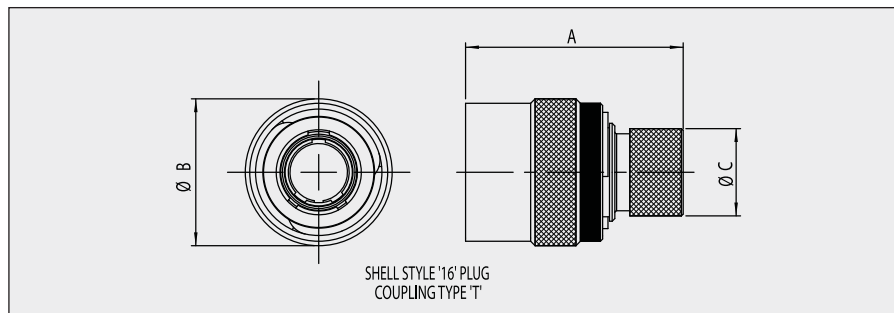
Square Flange Receptacle Threaded – Shell Type 0



Square Flange Receptacle

Shell Size	A Max	ØB Max	ØC Max	D Max	E Max	F Max	G	ØH Min
06	22.45	13.85	10.05	13.10	1.50	20.20	15.00	2.50
	<i>0.884</i>	<i>0.545</i>	<i>0.396</i>	<i>0.516</i>	<i>0.059</i>	<i>0.795</i>	<i>0.590</i>	<i>0.098</i>

Free Plug Threaded – Shell Type 6



Plug

Shell Size	A Max	ØB Max	ØC Max
06	24.65	16.75	10.05
	<i>0.970</i>	<i>0.659</i>	<i>0.396</i>

Contact and Tooling Information

Layout	Contact		Current Rating	Wire Size (AWG)	Conductor		Wire Sealing Range		Filler Plug	Ins/Ext Tool	Crimp Tool	Positioner	
	Pin	Socket			Min Ømm	Max Ømm	Min Ømm	Max Ømm				Pin	Socket
03-03	604946-31	604984	5 AMPS	22-26	0.32 <i>0.013</i>	0.79 <i>0.031</i>	0.60 <i>0.030</i>	1.37 <i>0.054</i>	600300-22	M81969/14-01	M22520/2-01	605463	605464
03-05	605705-31	605704	3 AMPS	24-28	0.25 <i>0.010</i>	0.51 <i>0.020</i>	0.60 <i>0.024</i>	0.96 <i>0.038</i>	600300-24	605837		605839	605840
06-05	604927-31	604935	3 AMPS	22-26	0.32 <i>0.013</i>	0.79 <i>0.031</i>	0.60 <i>0.024</i>	1.37 <i>0.054</i>	600300-22	M81969/14-01		604972	604973
06-09	605705-31	605704	3 AMPS	24-28	0.25 <i>0.010</i>	0.51 <i>0.020</i>	0.60 <i>0.024</i>	0.96 <i>0.038</i>	600300-24	605837		605839	605840
06-09*	610760	610539	3 AMPS	22-26	0.25 <i>0.010</i>	0.51 <i>0.020</i>	0.60 <i>0.024</i>	0.96 <i>0.038</i>	600300-24	Non-Removable	M22520/2-01	610948	610947

*Specifically for the '-220' option code. -220 option code should be used to order with these contacts for 22 AWG wire (see ordering information).

Accessories Information

Shell Size	Straight Boot		90° Boot	
	Raychem	Hellerman	Raychem	Hellerman
03	204W221-25-G03	1037-4-G	224W221-25-G03	1182-4-G
06	204W221	1030-4-G	224W221	1181-4-G

Connector	Protective Cap	
	Receptacle	Plug
03-3 way	605684-12	605687-12
03-5 way	605684-12	605687-12
06-5 way	604029-12	604027-12
06-9 way	604029-12	604027-12

-12 = Cadmium olive drab, -58 = Nickel

Ordering Information

Part Number Example:

WM 0 6 B W 06-05 S N - ****

Series:

Wildcat Micro

Shell Rear Accessory:

0 = Short Knurl - Boot Mounting (Short Knurl not available for Shell Type 0, Type 1 (Shell Size 06) or Type 2)

1 = Long Knurl - Cable Screen Braid and Boot Mounting

3 = No Accessory (e.g. Hermetic Box Mount)

Shell Type:

0 = Square Flange Receptacle

1 = In-line Receptacle

2 = 2 Hole Flange Receptacle

3 = Hermetic Jam Nut

4 = Jam Nut Receptacle

6 = Free Plug

7 = Hermetic Weld Mount

Coupling Type:

B = Bayonet

T = Triple-start ACME Thread

Class Code:

W = Aluminium with Olive Drab Cadmium

F = Aluminium with Electroless Nickel

Z = Aluminium with Zinc Cobalt

D = Aluminium with Zinc Nickel

S = Stainless Steel, Nickel Plated

K = Stainless Steel, Passivated

B = Aluminium Bronze

G = Space Grade

Shell Size - Insert Arrangement:

03-03 = Shell Size 3, 3 way

03-05 = Shell Size 3, 5 way

06-05 = Shell Size 6, 5 way

06-09 = Shell Size 6, 9 way

Contact Type:

P = Pin

S = Socket

Keying:

N = Normal

U = Universal

A, B, C, D, E

Option Code (3 digits) or Modification Code:

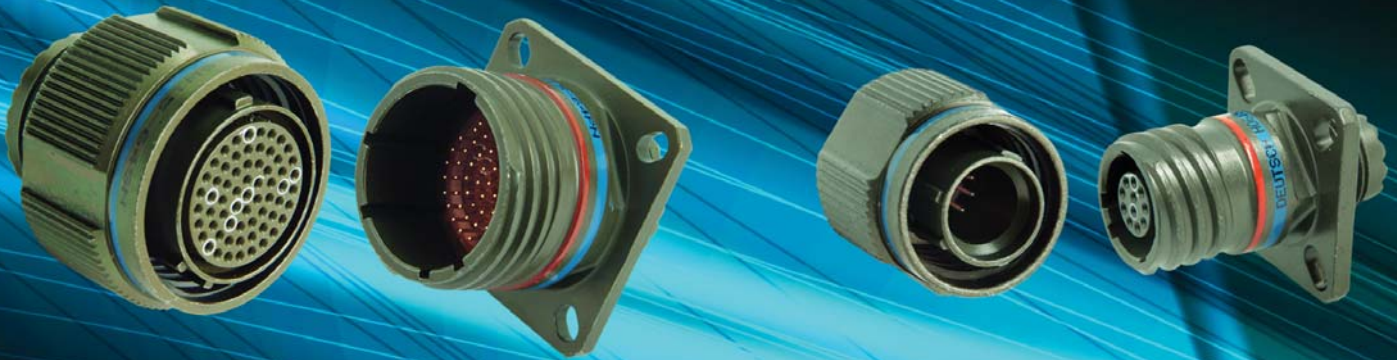
090 = Supplied without Contacts

1xx = PCB Contact (see PCB option table for code)

220 = Crimp Contacts for #22AWG Wire (non-removable, ordered with 06-09 only)

Sxx = Space Application (consult factory for code)

Wildcat Series 3



Features

- Based on proven MIL-DTL-38999 S3
- High density contact spacing
- Lightweight materials
- Material and plating options
- 4 high density contact layout options
- Threaded anti-vibration coupling
- Scoop proof interface
- 3 Amps per contact
- Rear removable crimp and PCB contacts (consult Deutsch for PCB details)
- Various plating and material options
- Backshell or cable braid/boot rear feature
- Fully sealed cable and mating interface
- 7 keying options including 'Universal'
- RFI mating interface band

Benefits

- High reliability interconnection for demanding applications including military and aerospace
- Extreme temperature, vibration and corrosion resistance
- Versatility through material & plating options
- Reduce the size or number of connectors with almost double the contact density of MIL-DTL-38999 connectors
- High number of mating cycles
- Rapid and positive coupling
- Easy-grip coupling ring
- Suitable for both signal and low power applications
- Boot feature eliminates need for backshells
- Aggressive fluid and dust ingress prevention
- Keying prevents mating with incorrect connector
- EMI screening as per MIL-DTL-38999 S3

General Specification

Performance

- Temperature: -65°C to +175°C (Cadmium)
-65°C to +200°C (Nickel)
- Thermal Shock: As per MIL-DTL-38999 S3
- Durability: >500 cycles of engagement and disengagement
- Dielectric Withstand Voltage: 1000VAC
- Vibration: As per MIL-DTL-38999 S3
- Shock: 300g, 3ms in 3 axes
- Fluid resistance: Connectors show no damage when exposed to a wide range of military and aerospace fluids
- Salt spray resistance: 500 hours (Cadmium finish) per MIL-STD-1344 Method 100 B and NFC93422. 48 hours (Nickel finish)
- Sealing: Up to 30,000 metres/100,000ft altitude

Housing materials

- Shell and coupling ring: Aerospace grade aluminium alloy as standard
- Plating: Cadmium olive drab as standard
- *For other material and plating options see Wildcat S3 ordering information*
- Seals: Fluorinated silicone
- Insulators: High performance thermoplastic

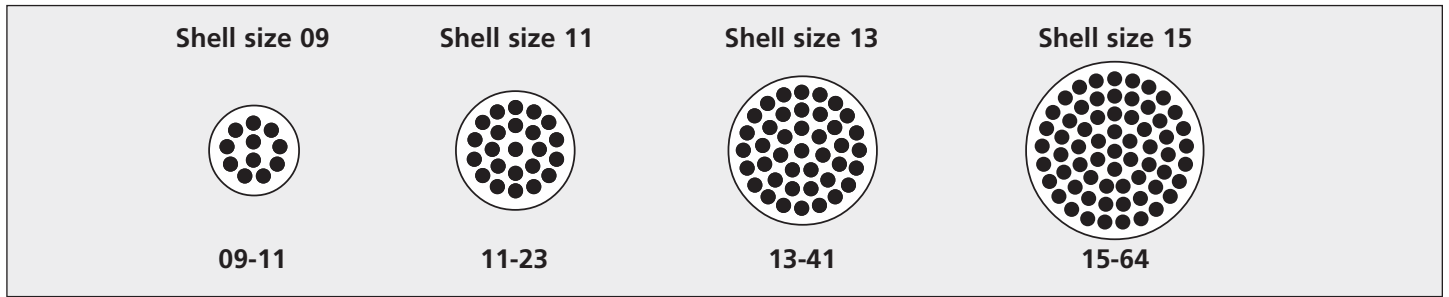
Contacts

- Machined from solid bar
- Gold plated copper alloy
- Crimp type
- Wire size: 24 to 28AWG
- Current rating: 3 Amps

Company Quality Approvals

- EASA Part 21
- BS EN 9100 / AS 9100 / ISO 9001
- Military Specification Approvals
- Underwriters Laboratories
- BS EN ISO 14001
- NADCAP Approval

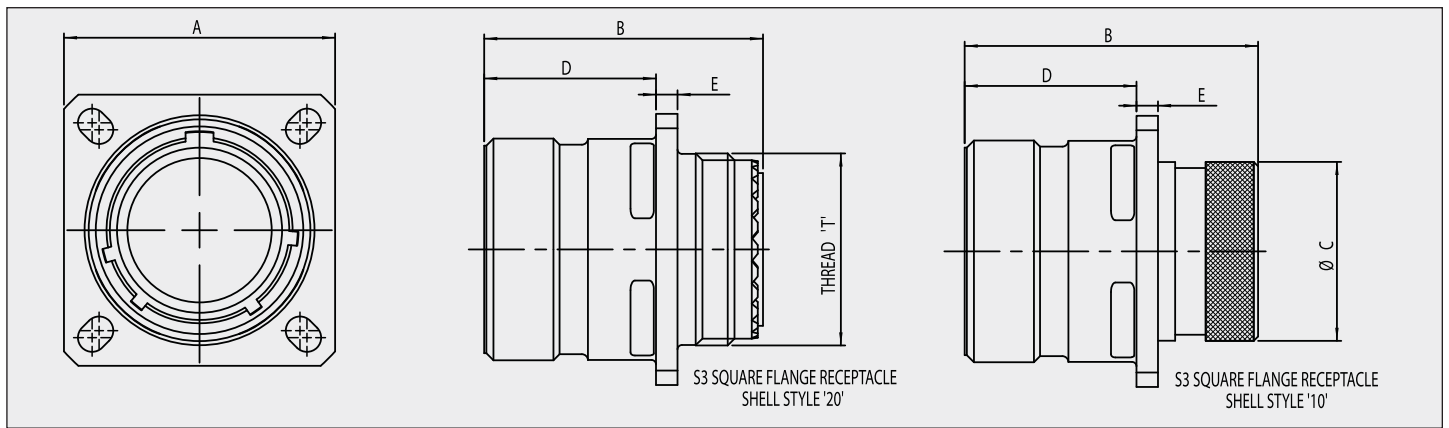
Contact Arrangement



Dimensional Information

All measurements are supplied in mm and inches. Inches are indicated on all tables by red italic text.

Square Flange Receptacle – Shell Type 0



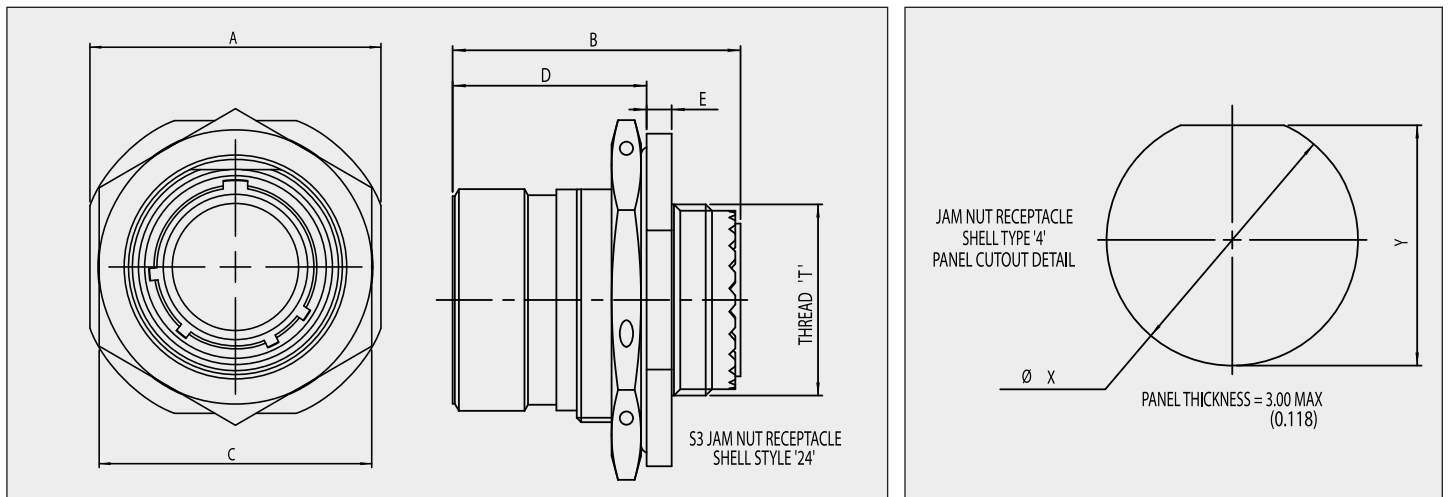
Square Flange Receptacle with Accessory Thread

Shell Size	A Max	B Max	D Max	E Max	Thread 'T'
09	24.00	31.55	19.90	2.50	M12x1.0 - 6g
	<i>0.945</i>				
11	26.40				
	<i>1.039</i>				
13	28.90	<i>1.242</i>	<i>0.783</i>	<i>0.098</i>	M18x1.0 - 6g
	<i>1.138</i>				
15	31.30	<i>1.232</i>	<i>0.783</i>	<i>0.098</i>	M22x1.0 - 6g
	<i>1.232</i>				

Square Flange Receptacle with Knurled Rear

Shell Size	A Max	B Max	D Max	E Max	Thread 'T'
09	24.00	33.80	19.90	2.50	M12x1.0 - 6g
	<i>0.945</i>				
11	26.40				
	<i>1.039</i>				
13	28.90	<i>1.331</i>	<i>0.783</i>	<i>0.098</i>	M18x1.0 - 6g
	<i>1.138</i>				
15	31.30	<i>1.232</i>	<i>0.783</i>	<i>0.098</i>	M22x1.0 - 6g
	<i>1.232</i>				

Jam Nut Receptacle – Shell Type 4



Dimensional Information

All measurements are supplied in mm and inches. Inches are indicated on all tables by red italic text.

Jam Nut Receptacle with Accessory Thread

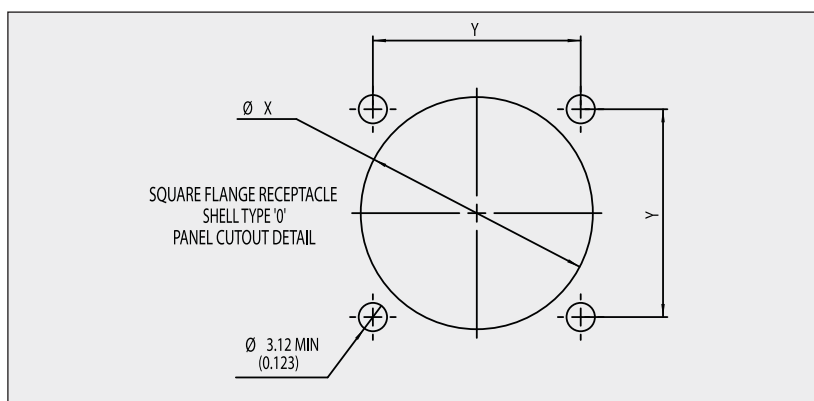
Shell Size	A Max	B Max	C Max	D Max	E Max	Thread 'T'			
09	27.20	32.55	23.25	22.40	2.95	M12x1.0 - 6g			
	<i>1.071</i>		<i>0.915</i>						
11	32.00		26.30						
	<i>1.260</i>		<i>1.035</i>						
13	35.10		<i>1.281</i>			32.00	<i>0.882</i>	<i>0.116</i>	M18x1.0 - 6g
	<i>1.382</i>		<i>1.260</i>						
15	38.30		36.00						
	<i>1.508</i>		<i>1.417</i>						

Jam Nut Panel Cutout Detail

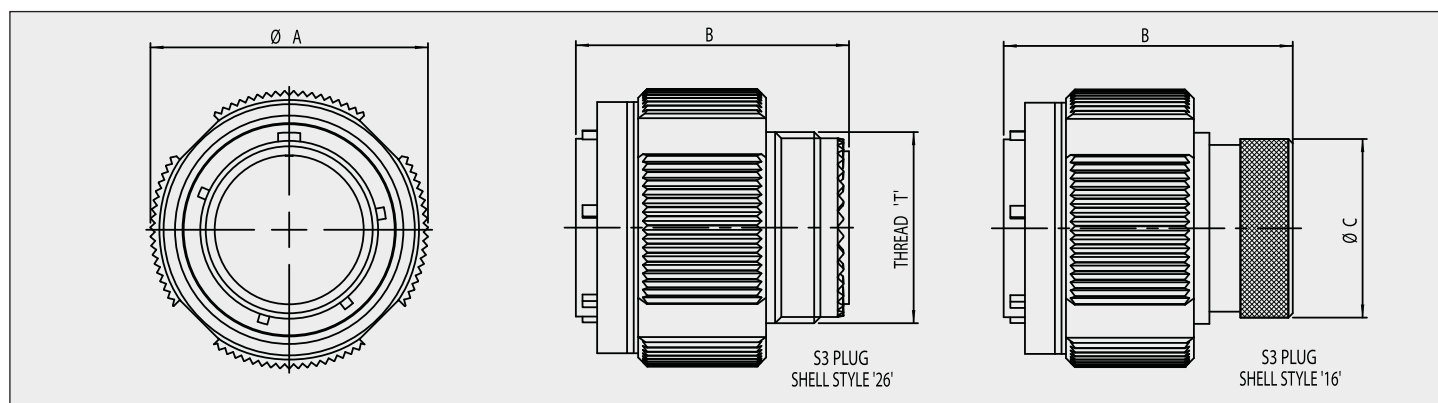
Shell Size	ØX +/-0.10	Y +/-0.10
09	17.80	16.89
	<i>0.700</i>	<i>0.665</i>
11	20.98	19.43
	<i>0.826</i>	<i>0.765</i>
13	25.68	24.16
	<i>1.011</i>	<i>0.951</i>
15	28.90	27.43
	<i>1.138</i>	<i>1.080</i>

Square Flange Panel Cutout Detail

Shell Size	ØX		Y	
	Front mtg	Rear mtg	Max	Min
09	13.11	16.66	18.26	15.09
	<i>0.516</i>	<i>0.656</i>	<i>0.719</i>	<i>0.594</i>
11	15.08	22.22	20.26	18.26
	<i>0.594</i>	<i>0.875</i>	<i>0.798</i>	<i>0.719</i>
13	19.05	23.42	23.01	20.62
	<i>0.750</i>	<i>0.922</i>	<i>0.906</i>	<i>0.812</i>
15	23.01	26.59	24.61	23.01
	<i>0.906</i>	<i>1.047</i>	<i>0.969</i>	<i>0.906</i>



Free Plug – Shell Type 6



Plug with Accessory Thread

Shell Size	ØA Max	B Max	Thread 'T'
09	21.30	31.10	M12x1.0 - 6g
	<i>0.839</i>		
11	23.75		M15x1.0 - 6g
	<i>0.935</i>		
13	29.10		M18x1.0 - 6g
	<i>1.146</i>		
15	32.30		M22x1.0 - 6g
	<i>1.272</i>		

Plug with Knurled Rear

Shell Size	ØA Max	B Max	ØC Max	
09	21.30	33.30	11.30	
	<i>0.839</i>		<i>0.445</i>	
11	23.75		14.35	
	<i>0.935</i>		<i>0.565</i>	
13	29.10		<i>1.311</i>	17.50
	<i>1.146</i>		<i>0.689</i>	
15	32.30		27.00	
	<i>1.272</i>		<i>1.063</i>	

Contact and Tooling Information

Layout	Contact		Current Rating	Wire Size (AWG)	Conductor		Wire Sealing Range		Filler Plug	Ins/Ext Tool	Crimp Tool	Positioner	
	Pin	Socket			Min Ømm	Max Ømm	Min Ømm	Max Ømm				Pin	Socket
09-11	605719-31	605721	3 AMPS	24-28	0.254	0.511	0.600	0.96	600300-24	605837	M22520/2-01	610286	610287
11-23													
13-41													
15-64													

Accessories Information

Shell Size	Straight Boot		90° Boot	
	Raychem	Hellerman	Raychem	Hellerman
09	202K121	152-42-G	222K121	1152-4-G
11	202K132	152-42-G	222K121	1152-4-G
13	202K142	154-42-G	222K132	1154-4-G
15	202K142	155-42-G	222K142	1155-4-G

Procaps and Backshells

Wildcat S3 connectors are suitable for use with MIL-DTL-38999 S3 type backshells and procaps or equivalent.

Ordering Information

Part Number Example:

W3 1 6 T W 09-11 S N - ****

Series:

Wildcat Series 3

Shell Rear Accessory:

1 = Braid and Boot Mounting Feature

2 = Rear Accessory Thread, Anti-rotation Teeth

Shell Type:

0 = Square Flange Receptacle

4 = Jam Nut Receptacle

6 = Free Plug

Coupling Type:

T = Triple-start ACME Thread

Class Code:

W = Aluminium with Olive Drab Cadmium

F = Aluminium with Electroless Nickel

Z = Aluminium with Zinc Cobalt

D = Aluminium with Zinc Nickel

S = Stainless Steel, Nickel Plated

K = Stainless Steel, Passivated

B = Aluminium Bronze

G = Space Grade

Shell Size - Insert Arrangement:

09-11 = Shell Size 9, 11 way

11-23 = Shell Size 11, 23 way

13-41 = Shell Size 13, 41 way

15-64 = Shell Size 15, 64 way

Contact Type:

P = Pin

S = Socket

Keying:

N = Normal

U = Universal

A, B, C, D, E

Option Code (3 digits) or Modification Code:

090 = Supplied without Contacts

Sxx = Space Application (consult factory for code)

Wildcat Capability

This datasheet is intended to provide the core information for the Wildcat product range. The range is expanding all the time and in the event that the information you require or the specific product to meet your needs is not shown, please consult our product support at milaerouk@deutsch.net. The Wildcat capability overview is shown to indicate the additional range of options for this product.

Filtered Wildcat

Deutsch have extended their proven high performance filtering capability to this high density product range. This allows design engineers to achieve EMI & EMP requirements in the most cost effective way and gives increased performance over chip on PCB filtering. Consult Deutsch for further information.

PCB Wildcat

Deutsch have extensive experience in producing connectors for printed circuit board applications. This datasheet provides details for the Micro series although the technology is also available for the Wildcat Series 3. Options such as double flange shells and Deutsch 'Evoport™ ready' allow designers greater mounting design and process flexibility.

Hermetic Wildcat

Deutsch have extensive knowledge and capability for producing high quality glass-to-metal sealed connectors. This technology has been applied to the Wildcat connector range with popular versions detailed in this datasheet. Consult Deutsch for further information on Micro and Series 3 hermetics.

Space Wildcat

Saving space and weight are critical factors in applications for use in space. The Wildcat's high density allows engineers to reduce the number and size of connectors, making them an ideal product choice for this application. These connectors can be produced to meet specific space requirements such as outgassing, radiation exposure and residual magnetism.

Composite Wildcat

Composite connector shells provide significant weight savings and improvements to corrosion resistance. Series 3 composite shells are extremely durable with a rating of 1500 matings and are intermateable with metallic versions. Conductive plating finishes for composite include nickel and cadmium olive drab. Please contact Deutsch for more information.

Alternative coupling systems

The Wildcat coupling mechanisms are based on proven reliable methods derived from Military standard 38999 and Eurofighter standard JN1003. Other coupling types are available from Deutsch such as push-pull and can be adapted to the Wildcat connector for specialised applications.

Other Wildcat options

Deutsch provide unrivalled expertise in the design and manufacture of innovative interconnection solutions for the most demanding environments and welcome the opportunity to work with our customers to provide a solution that meets their specific needs. Please contact Deutsch to discuss your requirements.





DEUTSCH GLOBAL SALES NETWORK

For your nearest Sales Office visit www.deutsch.net

AUSTRALIA

EP&DE
401a Lal Lal Street
Ballarat, VIC 3350
AUSTRALIA
Tel: +61 3 5331 4700

FRANCE

Deutsch CDD
8, rue Paul Héroult
ZAC Sainte-Geneviève
92563 Rueil Malmaison
FRANCE
Tel: +33 155 47 25 50

GERMANY

Compagnie Deutsch GmbH
Fraunhoferstrabe, 11b
82152 Martinsried
GERMANY
Tel: +49 89 89 91 570

INDIA

Deutsch India Power
Connectors Private Limited
#104, Prestige Omega,
EPIP Zone, White Field Road
Bangalore, 560 066
INDIA
Tel: +91 80 40466 500/513

ISRAEL

Deutsch ECM
P.O. Box 5010
Ashkelon 78150
Southern Industrial Zone
ISRAEL
Tel: +972 8 671 0903

ITALY

Deutsch Italia
9 Piazzale Lugano
20158 Milano
ITALY
Tel: +39 0239 322 240

JAPAN

Deutsch Japan Ltd.
44-10 Ohyamakanai-cho
Itabashi-ku
Tokyo 173-0024
JAPAN
Tel: +81 3 5995 5192

UK

Deutsch UK
Stanier Road
St Leonards on Sea
East Sussex TN38 9RF
UK
Tel: + 44(0) 1424 852721

USA

Deutsch DDS
250 Eddie Jones Way
Oceanside, CA 92054
USA
Tel: +1 (760) 757 7500



DEUTSCH

For more information, technical
assistance or custom solutions:
email milaerouk@deutsch.net
www.deutsch.net