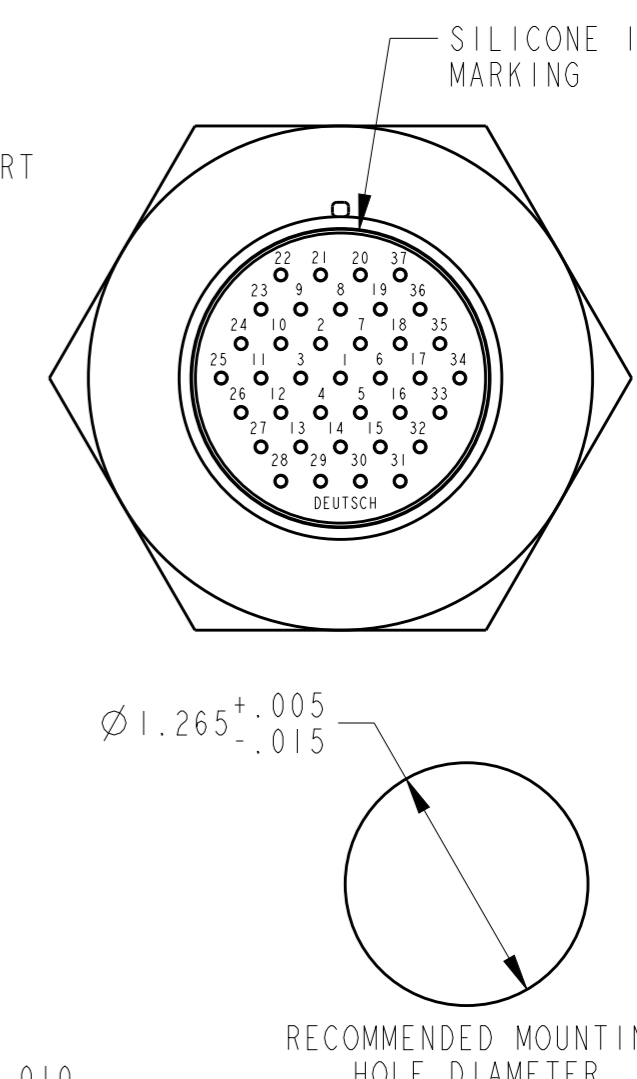
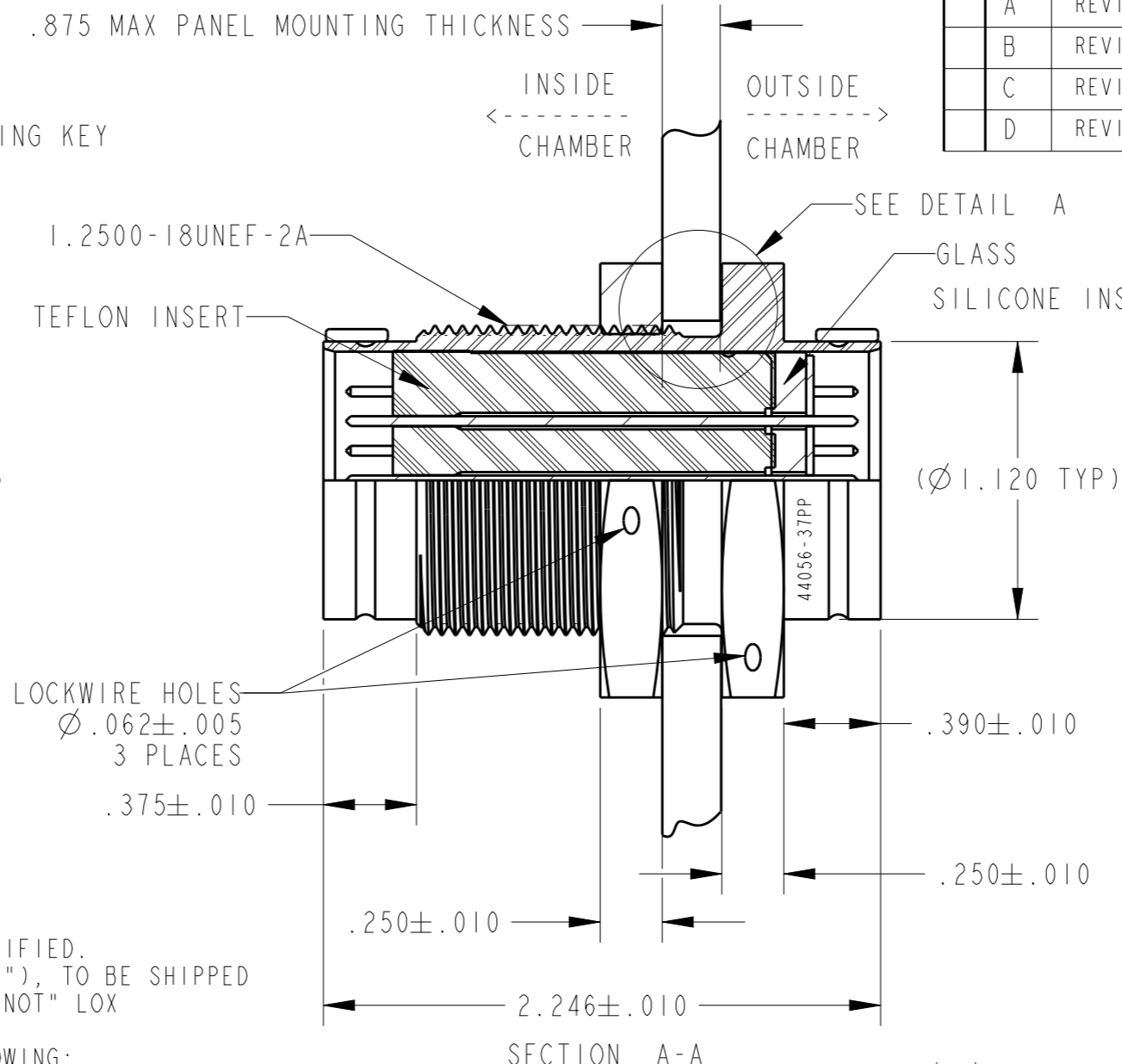
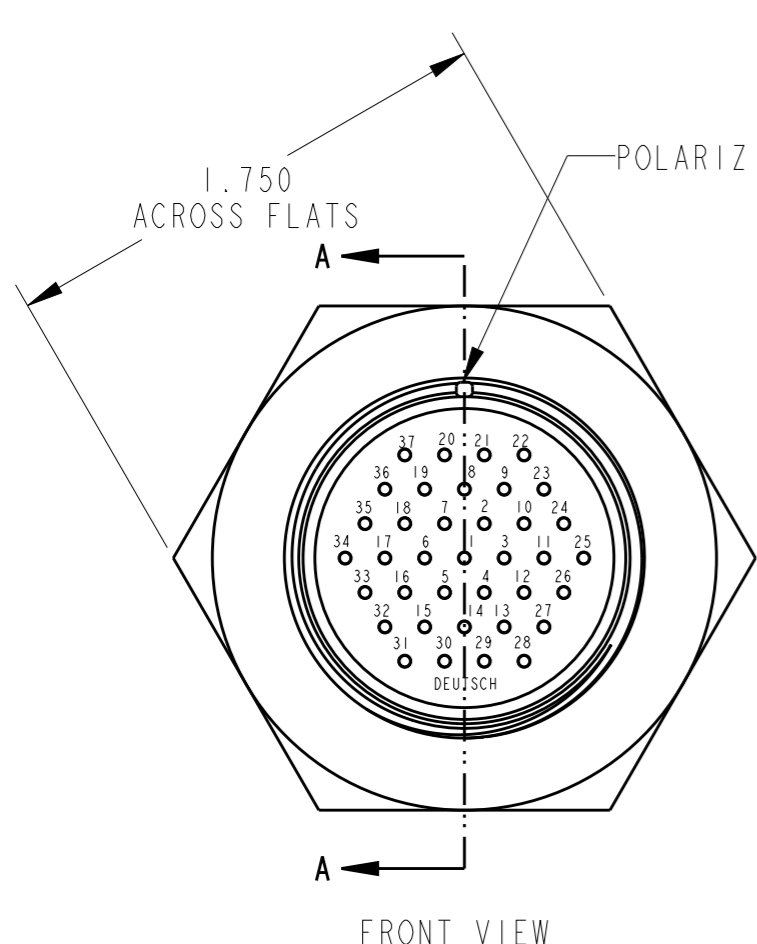


LOC	DIST	REVISIONS			
P	LTR	DESCRIPTION	DATE	DWN	APVD
-	-	A	REVISED PER E.O. H2228	980504	- L.S.
-	-	B	REVISED PER E.O. H2266	980602	- L.S.
-	-	C	REVISED PER E.O. H2339	980803	- L.S.
-	-	D	REVISED PER ECO-13-020262	140108	E.V. A.R.



- 8. DIMENSIONS ARE IN INCHES UNLESS OTHERWISE SPECIFIED.
- 7. TWO PROTECTIVE CAPS (4615-201-3730; "NOT SHOWN"), TO BE SHIPPED ASSEMBLED ON RECEPTACLE. PROTECTIVE CAPS ARE "NOT" LOX COMPATIBLE.
- 6. THIS DESIGN IS INTENDED TO MATE WITH THE FOLLOWING:

	DEUTSCH P/N
INSIDE PLUG (TEFLON INSERT)	17106-37S
OUTSIDE PLUG (SILICON INSERT)	17107-37S
OUTSIDE PLUG (TEFLON INSERT)	17108-37S

- 5. MATERIAL: SHELL & LOCKNUT: STAINLESS STEEL PER QQ-S-763  
 CONTACTS: HIGH NICKEL IRON ALLOY  
 INSERT SEAL: COMPRESSION GLASS PER 40M39569  
 INSERT: SILICONE INSERT--ELASTOMER  
 INSERT: TEFLON PER MIL-P-19468
- 4. FINISH: SHELL: PASSIVATED  
 CONTACT: GOLD PLATED PER MIL-G-45204.
- 3. INSERTS ARE CONTINUOUS DIELECTRIC.
- 2. CONTACT IDENTIFICATION IS PERMANENT.
- 1. ALL INSIDE PARTS TO BE LOX COMPATIBLE.

NOTES: UNLESS OTHERWISE SPECIFIED

DESCRIPTION:  
 QUICK DISCONNECT CRYOGENIC ENVELOPE

THIS DRAWING IS A CONTROLLED DOCUMENT.		DWN C. JOLICOEUR 980422	TE Connectivity	
DIMENSIONS: INCHES		CHK L. STOLLE 980428		
TOLERANCES UNLESS OTHERWISE SPECIFIED:		APVD J. AGUILERA 980428	NAME RECEPTACLE JAM NUT MOUNTING T.B.F HERMETIC, DM SPECIAL 37 SIZE 20 CONTACTS	
0 PLC ±-	1 PLC ±x.x	PRODUCT SPEC	SIZE A3	CAGE CODE 11139
2 PLC ±x.xx	3 PLC ±x.xxx	APPLICATION SPEC	DRAWING NO. C-44056-37PP	RESTRICTED TO -
4 PLC ±x.xxx	ANGLES ±-	WEIGHT	MC: 75	SCALE 1.500
MATERIAL NOTE 5.		Customer Drawing		SHEET 1 OF 1
FINISH NOTE 4.				REV D

PROPERTY OF TE CONNECTIVITY  
 THIS INFORMATION IS CONFIDENTIAL AND PROPRIETARY TO TYCO ELECTRONICS CORPORATION AND ITS WORLDWIDE SUBSIDIARIES AND AFFILIATES (TE). IT MAY NOT BE DISCLOSED TO ANYONE, OTHER THAN TE PERSONNEL, WITHOUT AUTHORIZATION FROM TE (www.TE.com)