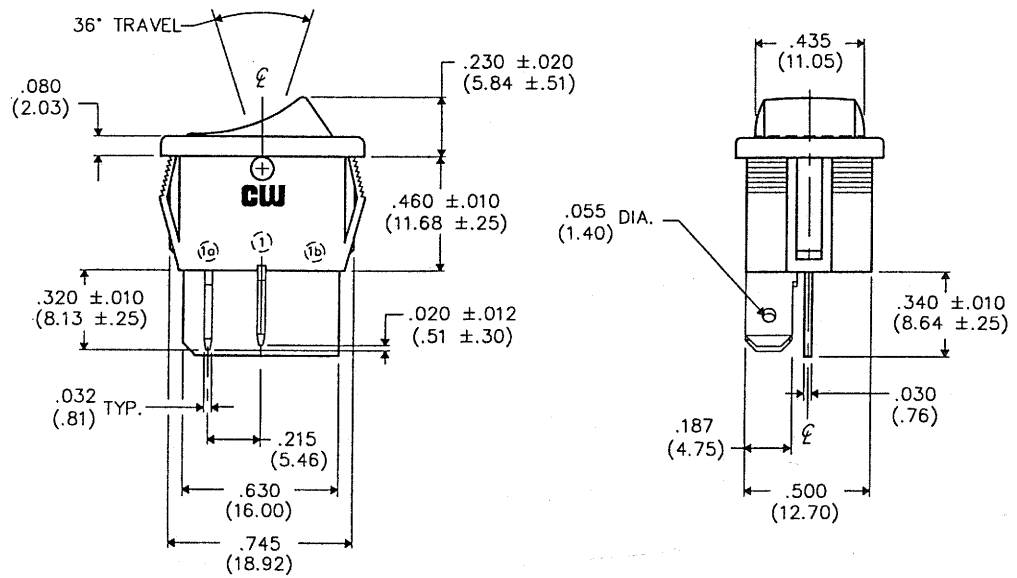
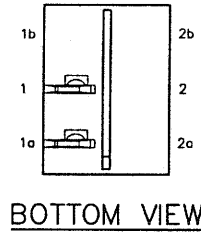
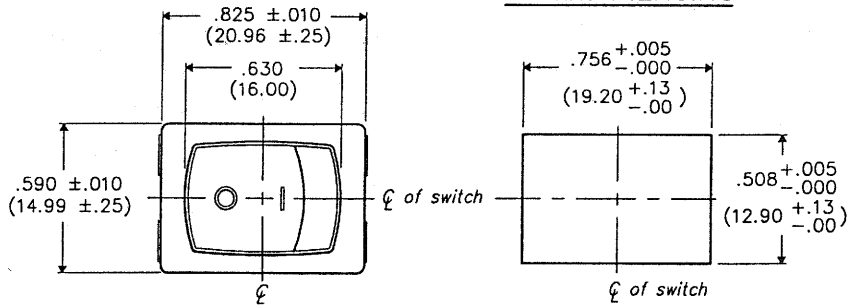


DIMENSIONS IN INCHES (MILLIMETERS)  
DO NOT SCALE DRAWING .....

Dwg. No.  
**GRS-4011-0068**

**PANEL PIERCING**



FORM-B  
**REVISIONS**  
 0  
 RELEASED  
 DGW 5-01-95  
 MAY 2 - 1995

PDF File Made

**CW INDUSTRIES**  
 Southampton, Pa. 18966

TOLERANCES UNLESS OTHERWISE SPECIFIED

2 Place decimal ± .010	METRIC
3 Place decimal ± .005	1 Place dec. ± .25mm
Angles ..... ± 1'	2 Place dec. ± .13mm

Made for: CW IND.  
 Drawn by: DGW 5-01-95  
 Checked by: G. GULJ 5-2-95  
 Approval: C. Hume 5/15/95

Title: **MINI SWITCH ASSEMBLY SNAP-IN, S.P.- S.T. W/BARRIER**

Division: **SWITCH**

Dwg. No. **GRS-4011-0068**

**MASTER MASTER**