

C&K YL Series 4, 5 & 6 Tumbler Camlocks

Features/Benefits

- Cost-effective security
- Variety of lock finishes
- Custom keys available

Typical Applications

- Office furniture
- Cash registers
- Copy machines



Specifications

INDEXING: 90°: 2 positions.

NOTE: Specifications and materials listed above are for camlocks with standard options. For information on specific and custom camlocks, consult Customer Service Center.

Materials

LOCK: Zinc alloy with stainless steel facing. (4 & 5 tumbler single bitted locks and 6 tumbler tubular lock).

KEYS: Two nickel plated brass keys with code number. (4 & 5 tumbler). Two die cast chrome plated zinc alloy keys, std. (6 tumbler).

CAM: Steel, nickel or bright zinc plated.

MOUNTING NUT: Zinc alloy or steel, nickel or bright zinc plated.

MOUNTING CLIP: Steel, nickel or bright zinc plated.

Build-A-Switch

To order, simply select desired option from each category and place in the appropriate box. Available options are shown and described on pages L-50 and L-51. For additional options not shown in catalog, consult Customer Service Center.

Switch Function

YL001U (STD.) SP, 90° Index, keypull pos. 1 & 2

YL0013 SP, 90° Index, keypull pos. 1



Keying

2 (STD.) Two nickel plated brass keys (4 & 5 tumbler) or two chrome plated keys (6 tumbler)

Lock Type

A (STD.) 4 Tumbler single bitted lock

V (STD.) 6 Tumbler tubular lock

B 5 Tumbler single bitted lock

C 4 Tumbler single bitted lock with detent

Lock Finish

2 (STD.) Stainless steel facing

Cam

A1 (STD.) 1" long

A2 1.125" long

A3 1.250" long

Mounting/Lock Style

N (STD.) With nut



Switchlock

C&K YL Series 4, 5 & 6 Tumbler Camlocks

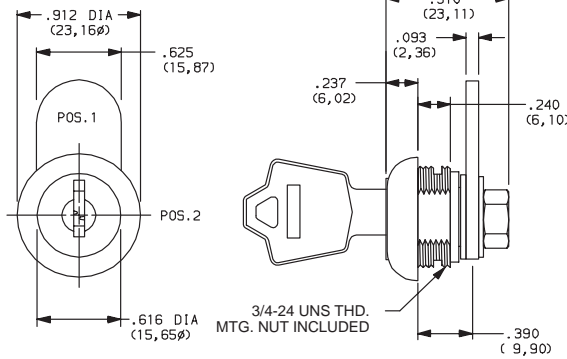
LOCK FUNCTION

MODEL NO.	KEY PULL POSITIONS	LOCK CONFIGURATION	INDEXING
YL001U (STD.)	Positions 1 & 2		90°
YL0013	Position 1		90°

LEGEND

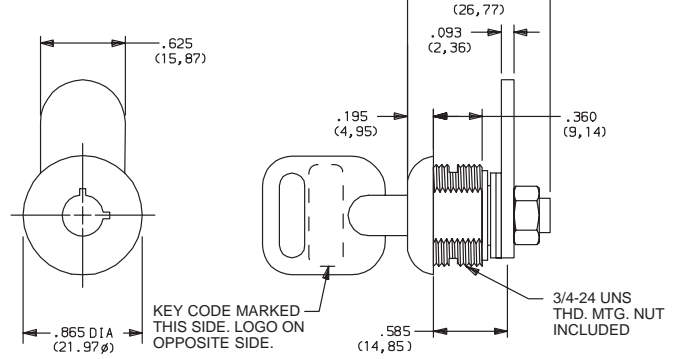
- = Detent Position (90°)
- ⊙ = Key pull possible in these positions.
- = Stop Positions

4 Tumbler



Part number shown: YL00132A2A1N

6 Tumbler



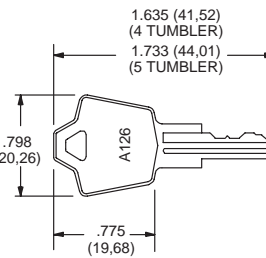
Part number shown: YL00132V2A1N

KEYING

OPTION CODE	KEY OPTIONS	CODE NO. ON KEY	CODE NO. ON LOCK
2	(STD.) 2 NICKEL PLATED BRASS KEYS (4 & 5 TUMBLERS) OR TWO DIE-CAST CHROME PLATED ZINC ALLOY KEYS (6 TUMBLER).	YES	NO

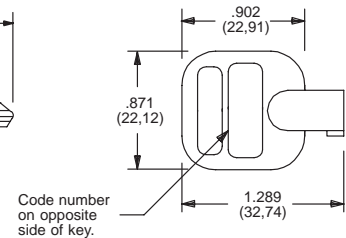
NOTE: All orders keyed alike, standard. For more than one key code, master keying replacement keys, or other special features, consult Customer Service Center.

NICKEL PLATED BRASS KEY



Key part number: 115140126

CHROME PLATED ZINC ALLOY KEY



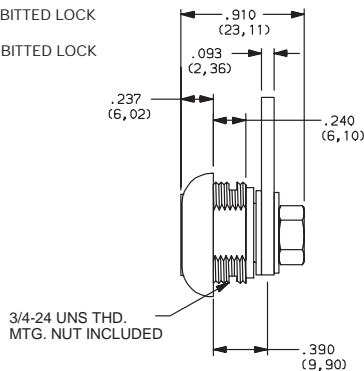
Key part number: 363C1AAAA

LOCK TYPE

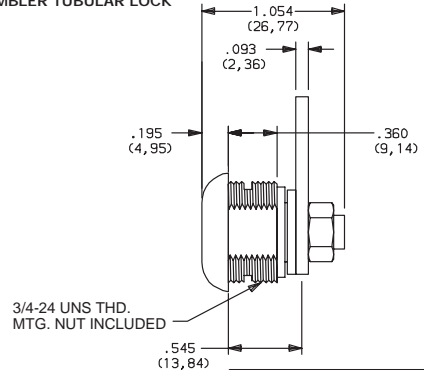
A (STD.) 4 TUMBLER SINGLE BITTED LOCK

B 5 TUMBLER SINGLE BITTED LOCK

C 4 TUMBLER SINGLE BITTED LOCK WITH DETENT



V (STD.) 6 TUMBLER TUBULAR LOCK



Third Angle Projection
Dimensions are shown: IN (mm)
Dimensions subject to change



Switchlock

C&K YL Series 4, 5 & 6 Tumbler Camlocks

LOCK FINISH

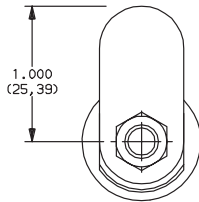
2 (STD.) STAINLESS STEEL FACING



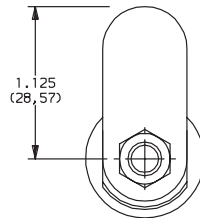
Available with
V lock type only.

CAM

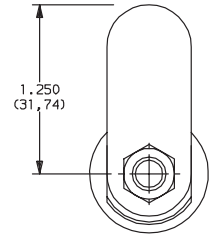
A1 (STD.) 1"



A2 1.125"



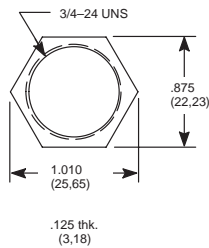
A3 1.250"



NOTE: Other cam lengths and styles available,
consult Customer Service Center.

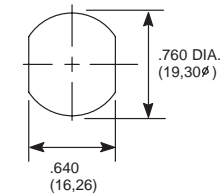
MOUNTING/LOCK STYLE

N (STD.) WITH NUT



Nut part number: 175050700

PANEL MOUNTING



OPTION CODE	MOUNTING STYLE	PANEL THICKNESS
N	(STD.) WITH NUT	.195 (4,95) max.

AVAILABLE HARDWARE



Key Code: A126
4 TUMBLER
PART NO. (ONE KEY)
115140126
Material: Brass
Finish: Nickel plate

Key Code: D001
5 TUMBLER
PART NO. (ONE KEY)
115441001
Material: Brass
Finish: Nickel plate



Key Code: AAAA
PART NO. (ONE KEY)
363C1AAAA
Material: Zinc alloy
Finish: Chrome plate

NOTE: Additional nuts available separately, see section N.

