

APJ Plugs, APR Cable Connector Receptacles 30/60/100 A, 250 VDC/600 VAC, 50† – 400 hertz

Applications:

- APQ motor plugs are used:
- On portable electric equipment

Features:

- Eliminates problem of storing and protecting a long length of portable cord and plug on portable device
- Connection to fixed receptacle used as power source is made with cord sets which may be hung on wall, out of the way
- Cord sets are made up using an APR receptacle at one end and an APJ plug at the other
- Cord sets may be used singly or connected together to provide longer lengths when needed
- With spare cord sets on hand, portable equipment may be kept in service while normal cord replacement is being made
- Where design of portable equipment permits, APQ motor plugs can be attached directly to a sheet metal panel or cabinet
- May be mounted on AR and AJ back boxes for conduit connection
- See typical installation diagram on next page



APQ Motor Plugs
with square flange, gaskets, fastening ring, and exposed contacts.



APR Cable Connector Receptacles with cable grip, neoprene bushing, and protected contacts.



APJ Plugs with cable grip, neoprene bushing, exposed contacts, and fastening ring.

Certifications and Complies:

- UL Standards: 1682
- CSA Standard: C22.2 No. 182.1

Standard Materials:

- Motor plugs: mounting plate – *Feraloy*®, iron alloy; protective sleeve – copper-free aluminum
- Plug and receptacle exteriors – copper-free aluminum
- Back boxes – copper-free aluminum
- Insulation – fiberglass-reinforced polyester
- Pressure and solder contacts – brass
- Crimp/solder contacts – leaded red brass

Standard Finishes:

- *Feraloy* – electrogalvanized and aluminum acrylic paint
- Copper-free aluminum – natural
- Brass – natural
- Fiberglass-reinforced polyester – natural (red)
- Leaded red brass – electro-tin-plate

Options:

Available with these assemblies are:

Description	Suffix
Special polarity	S4
See page 1266 for details.	

Ordering Information:

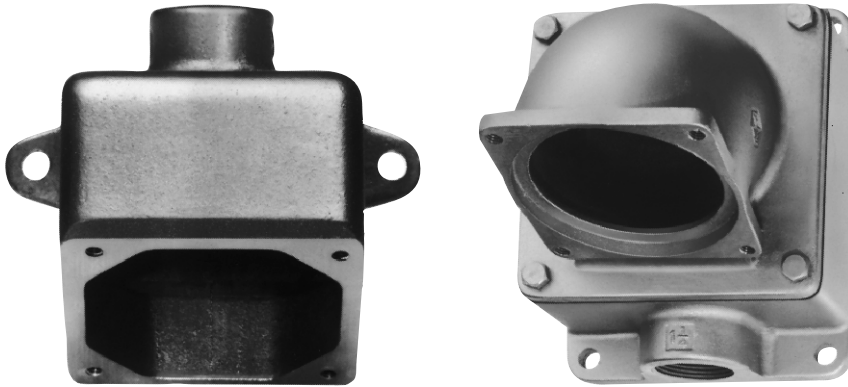
Amps	Style‡	Description	Plug Cat. #	Cable Dia.	Cable Connector Receptacle Cat. #	Motor Plug Cat. #
30	1	2-wire,* 2-pole	APJ3275	0.39 to 1.20	APR3255	APQ327
		3-wire,* 3-pole	APJ3375	0.39 to 1.20	APR3355	APQ337
		4-wire,* 4-pole	APJ3475	0.39 to 1.20	APR3455	APQ347
	2	2-wire,* 3-pole	APJ3385	0.39 to 1.20	APR3365	APQ338
		3-wire,* 4-pole	APJ3485	0.39 to 1.20	APR3465	APQ348
		2-wire,* 2-pole	APJ6275	0.50 to 1.45	APR6255	APQ627
60	1	3-wire,* 3-pole	APJ6375	0.50 to 1.45	APR6355	APQ637
		4-wire,* 4-pole	APJ6475	0.50 to 1.45	APR6455	APQ647
		2-wire,* 3-pole	APJ6385	0.50 to 1.45	APR6365	APQ638
	2	3-wire,* 4-pole	APJ6485	0.50 to 1.45	APR6465	APQ648
		2-wire,* 2-pole	APJ10277	0.875 to 1.70	APR10257	APQ1027
		3-wire,* 3-pole	APJ10377	0.875 to 1.70	APR10357	APQ1037
100	1	4-wire,* 4-pole	APJ10477	0.875 to 1.70	APR10457	APQ1047
		2-wire,* 3-pole	APJ10387	0.875 to 1.70	APR10367	APQ1038
	2	3-wire,* 4-pole	APJ10487	0.875 to 1.70	APR10467	APQ1048

‡Style 1 – Grounded through shell. Style 2 – Grounded through extra pole and shell.

*Pressure connectors are standard. Crimp/solder type terminators are optionally available for 2, 3 and 4-pole 30 ampere, 3 and 4-pole 60 and 100 ampere. For details, see page 1267. To specify, add the suffix "T" to the catalog number. For example: APJ3375-T (Plug) AR6337-T (Receptacle).

†For use on systems less than 60 hertz the receptacles, plugs and connectors are for disconnect use only.

For APQ Arktite® Circuit Breaking Motor Plugs



Typical back boxes used with APQ Motor Plugs

ARE

For APQ 30 Amp.

Hub Size	Cat. #
1/2	ARE13
3/4	ARE23
1	ARE33

For APQ 60 Amp.

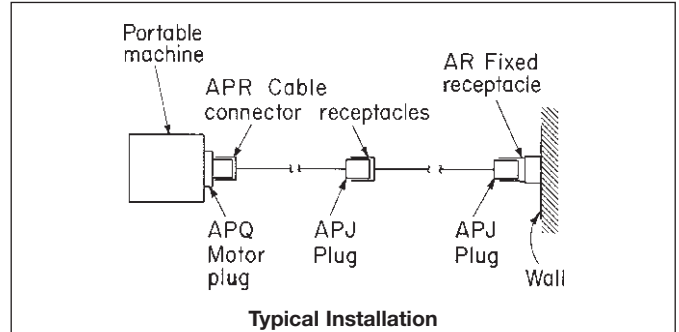
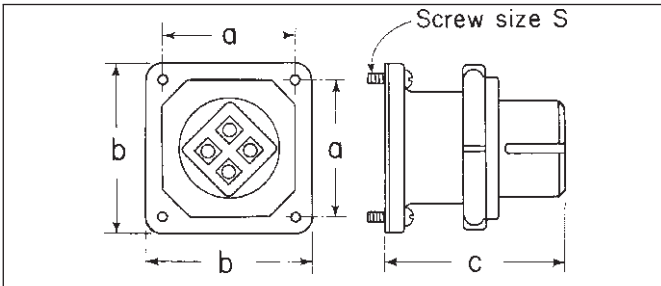
Hub Size	Cat. #
1	ARE36
1 1/4	ARE46
1 1/2	ARE56

AJ

For APQ 60 and 100 Amp.

Hub Size	Cat. #
1	AJ37
1 1/4	AJ47
1 1/2	AJ57
2	AJ67

Dimensions In Inches:



APQ Motor Plugs

Amps	a	b	c	s
30	2 3/4	3 3/8	3 3/8	12-24
60	3 1/2	4 1/4	4 7/8	5/16-18
100 (2 & 3-pole)	3 1/2	4 1/4	6 1/8	5/16-18
100 (4-pole)	3 1/2	4 1/4	6 7/16	5/16-18

For additional back box listings, see pages 1284-1287.
For back box dimensions, see pages 1286-1287.