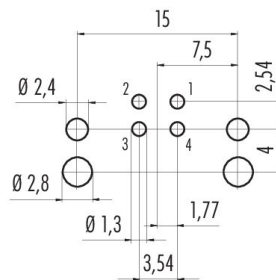


Product description **M12 Male angled panel mount connector, Contacts: 4, unshielded, THR, IP68, UL 2238, for PCB assembly, two-part design**  
 Area **series 763**  
 Part no. **99 3431 202 04**

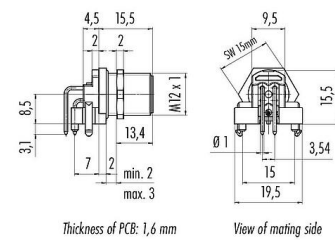
**Illustration**



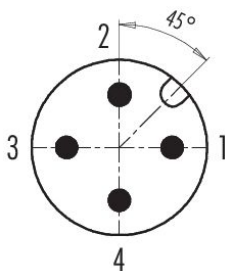
**Conductor layout**



**Scale drawing**



**Contact arrangement (Plug-in side)**



You can find the assembly instructions on the next page.

**Technical data**

**General features**

Part no.	<b>99 3431 202 04</b>
Connector design	Male angled panel mount connector
Type standard	DIN EN 61076-2-101

Product description	<b>M12 Male angled panel mount connector, Contacts: 4, unshielded, THR, IP68, UL 2238, for PCB assembly, two-part design</b>
Area	<b>series 763</b>
Part no.	<b>99 3431 202 04</b>

Version	Connector pin angled
Connector locking system	screw
Termination	THR
Degree of protection	IP68
Temperature range from/to	-40 °C / 85 °C
Mechanical operation	> 100 Mating cycles
Additional information	two-part design
Weight (g)	8.14
Customs tariff number	85369010
Country of Origin	HU

### Electrical parameters

Rated voltage	250 V
Rated impulse voltage	2500 V
Rated current	4 A (3 A UL)
Insulation resistance	> 10 <sup>8</sup> Ω
Pollution degree	3
Insulating material group	III
EMC compliance	unshielded

### Material

Housing material	CuZn (Brass nickel plated)
Contact body material	PA
Contact material	CuZn (brass)
Contact plating	Au (gold)
Locking material	CuZn (brass)
REACH SVHC	CAS 7439-92-1 (Lead)
SCIP number	bbfdb955-7d8b-4203-a26f-238b6f8eadd

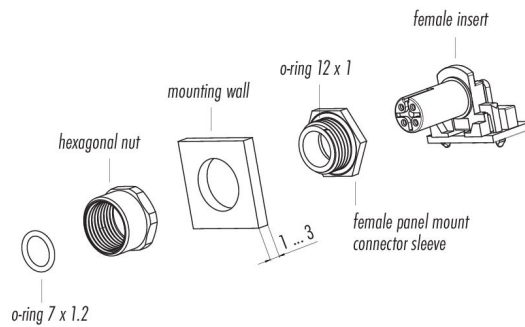
### Authorization/approvals

Approvals	UL 2238
-----------	---------

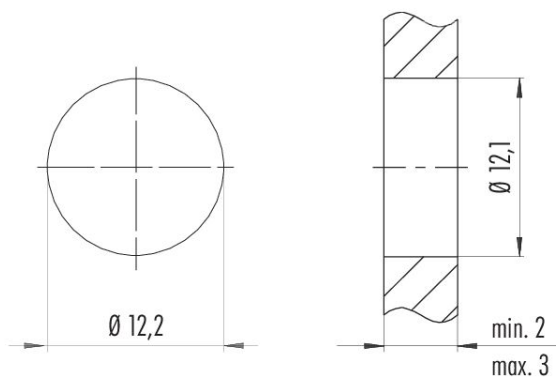
Product description	<b>M12 Male angled panel mount connector, Contacts: 4, unshielded, THR, IP68, UL 2238, for PCB assembly, two-part design</b>
Area	<b>series 763</b>
Part no.	<b>99 3431 202 04</b>

### Assembly instructions

1. Fit the o-ring 12 x 1 onto the female panel mount connector sleeve and push it into the groove.
2. Push female panel mount connector sleeve through mounting wall.
3. Put on the nut and tighten it. Pay attention to the alignment of the female panel mount connector sleeve.
4. Insert the female insert into the female panel mount connector sleeve.
5. Thread the o-ring 7 x 1.2 onto the female insert and push it with a suitable tool in the direction of the stop surface of the female panel mount connector sleeve.



### Assembly instructions / Panel cut-out



Anzugsdrehmoment/Tightening torque  
M12 x 1 1,00 Nm

Product description	<b>M12 Male angled panel mount connector, Contacts: 4, unshielded, THR, IP68, UL 2238, for PCB assembly, two-part design</b>
Area	<b>series 763</b>
Part no.	<b>99 3431 202 04</b>

## Security notices

The connector must not be plugged or unplugged under load. Non-observance and improper use can result in personal injury.

The connectors have been developed for applications in plant engineering, control and electrical equipment construction. The user is responsible for checking whether the connectors can also be used in other areas of application.

To protect against unintentional opening of the connector, the thread between the housing and the connector head must be secured with a suitable cyanoacrylate adhesive when used in circuits with voltages dangerous to the touch. This does not apply to connectors used in SELV and PELV circuits according to IEC 61140 (EN 61140, VDE 0140-1).

Connectors which are used in circuits with voltages dangerous to the touch may only be installed and used by, or under the supervision of, persons with electrical engineering training, taking into account the applicable regulations and standards.

The user must take suitable safety precautions to ensure that the connector cannot be accidentally disconnected.

Plug connectors with enclosure protection IP67 and IP68 are not suitable for use under water. When used outdoors, the plug connectors must be protected separately against corrosion. For further information on the IP protection classes, please refer to the "Technical Information" download centre.

To lock the cable connector with the device connector, the threaded ring is tightened "hand-tight" (approx. 60 cNm).

The user must take appropriate safety precautions to ensure that the connector cannot be accidentally disconnected. In addition, the user must ensure that the cable is suitably secured.

## DECLARATION FROM THE MANUFACTURER

For part no.: 99 3431 202 04

10/07/2025

With regard to the

**Regulation (EC) No 1907/2006 of the European Parliament and of the Council of 18 December 2006 concerning the Registration, Evaluation, Authorisation and Restriction of Chemicals (REACH), establishing a European Chemicals Agency, amending Directive 1999/45/EC and repealing Council Regulation (EEC) No 793/93 and Commission Regulation (EC) No 1488/94 as well as Council Directive 76/769/EEC and Commission Directives 91/155/EEC, 93/67/EEC, 93/105/EC and 2000/21/EC.**

With the REACH regulation, the EU has created a uniform system for the Registration, Evaluation, Authorisation and restriction of CHEMicals – or REACH. The purpose of this regulation is to ensure a high level of protection of human health and the environment.

Franz Binder GmbH & Co. Elektrische Bauelemente KG hereby confirms that it acts as a downstream user (producer of products) according to the aforementioned regulation.

We obtain all raw materials and/or preparations, from which the connectors are made, from suppliers who have already registered or pre-registered all substances, including those present in the preparations. The products supplied by the company are not subject to registration.

With regard to Article 33(1) of the REACH regulation, Franz Binder GmbH & Co. Elektrische Bauelemente KG complies with its information obligations:

An up-to-date candidate list (candidate list of substances of very high concern for authorisation, as of 25/06/2025 see: <https://echa.europa.eu/de/candidate-list-table>) in accordance with Article 59 (1, 10) of the regulation (EC) No 1907/2006 (REACH) has been published.

The aforementioned article includes the following substances from the up-to-date candidate list in concentrations of more than 0,1 percent by mass:

- CAS 7439-92-1 (Lead)

Please refer any questions to our Product Compliance Team:

[Product-Compliance@binder-connector.de](mailto:Product-Compliance@binder-connector.de)

## DECLARATION FROM THE MANUFACTURER

For part no.: 99 3431 202 04

10/07/2025

With regard to the

### COMMISSION DELEGATED DIRECTIVE (EU) 2015/863 of 31 March 2015

**amending Annex II to Directive 2011/65/EU of the European Parliament and of the Council as regards  
the list of restricted substances**

Directive 2011/65/EU stipulates provisions on the restriction of the use of hazardous substances in electrical and electronic equipment (EEE) with a view to contributing to the protection of human health and the environment, including the environmentally sound recovery and disposal of EEE waste.

#### ANNEX II

Restricted substances referred to in Article 4(1) and maximum concentration values tolerated by weight in homogeneous materials

Lead (0,1%) mercury (0,1%) cadmium (0,01%) hexavalent chromium (0,1%) polybrominated biphenyls (PBB) (0,1%) polybrominated diphenyl ethers (PBDE) (0,1%) bis(2-ethylhexyl) phthalate (DEHP) (0,1%) butyl benzyl phthalate (BBP) (0,1%) dibutyl phthalate (DBP) (0,1%) diisobutyl phthalate (DIBP) (0,1%)

Franz Binder GmbH & Co. Elektrische Bauelemente KG hereby confirms that it complies with all standard articles of the aforementioned Directive. Our products do not contain any of the specified prohibited substances above the maximum permitted concentrations specified therein, taking into account the exemptions in Annex III of Directive 2011/65/EU.

- Complies with RoHS III with exemption 6c

Please refer any questions to our Product Compliance Team:

Product-Compliance@binder-connector.de

## MANUFACTURER'S DECLARATION

For part no.: 99 3431 202 04

10/07/2025

with regard to

### Declaration of compliance with China RoHS – Components

We herewith declare the compliance of this product with the Chinese marking requirements. This product can be recycled and used safely during its environmentally friendly use period of 50 years. These articles will be sold as components only for manufacturing. According to the Electronic Industry Standard SJ/T 11364-2014 it needs not to be marked with Environmentally Friendly Use Period (EFUP) label. This product should be recycled after its environmental protection use period has expired because it may contain substances or elements as shown in the following table:

Part Name	Hazardous Substance					
	Lead (Pb)	Mercury (Hg)	Cadmium (Cd)	Hexavalent Chromium (Cr(VI))	Polybrominated biphenyls (PBB)	Polybrominated diphenyl ethers (PBDE)
Connectors	X	0	0	0	0	0

This table is prepared in accordance with the provisions of SJ/T 11364.

0: Indicates that said hazardous substance contained in all of the homogeneous materials for this part is below the limit requirement of GB/T 26572

X: Indicates that said hazardous substance contained in at least one of the homogeneous materials used for this part is above the limit requirement of GB/T 26572

The table shows where these substances may be found in this Electrical and Electronic Product.

Please refer any questions to our Product Compliance Team:

Product-Compliance@binder-connector.de

# CERTIFICATE OF COMPLIANCE

**Certificate Number** E302391  
**Report Reference** E302391-2013-03-08  
**Date** 2023-September-29

**Issued to:** Franz Binder GmbH & Co. Elektrische Bauelemente KG  
Roetelstrasse 27  
Neckarsulm 74172 DE

**This is to certify that  
representative samples of**

CABLE ASSEMBLIES AND FITTINGS FOR INDUSTRIAL  
CONTROL AND SIGNAL DISTRIBUTION - COMPONENT

See Addendum Page for Product Designation(s).

Have been evaluated by UL in accordance with the component requirements in the Standard(s) indicated on this Certificate. UL Recognized components are incomplete in certain constructional features or restricted in performance capabilities and are intended for installation in complete equipment submitted for investigation to UL LLC.

**Standard(s) for Safety:** UL 2238, Cable Assemblies and Fittings for Industrial Control and Signal Distribution  
CSS C22.2 No 182.3, Special use attachment plugs, receptacles, and connectors

**Additional Information:** See the UL Online Certifications Directory at <https://iq.ulprospector.com> for additional information

This Certificate of Compliance indicates that representative samples of the product described in the certification report have met the requirements for UL certification. It does not provide authorization to apply the UL Recognized Component Mark. Only the Authorization Page that references the Follow-Up Services Procedure for ongoing surveillance provides authorization to apply the UL Mark.

Only those products bearing the UL Recognized Component Mark should be considered as being UL Certified and covered under UL's Follow-Up Services.

Look for the UL Recognized Component Mark on the product.

*Deborah Jennings-Conner*

Deborah Jennings-Conner, VP Regulatory Services

UL LLC



Any information and documentation involving UL Mark services are provided on behalf of UL LLC (UL) or any authorized licensee of UL. For questions, please contact a local UL Customer Service Representative at <http://ul.com/aboutul/locations/>

# CERTIFICATE OF COMPLIANCE

**Certificate Number** E302391  
**Report Reference** E302391-2013-03-08  
**Date** 2023-September-29

This is to certify that representative samples of the product as specified on this certificate were tested according to the current UL requirements

USR, CNR Female Outlets; M8 PCB Series 718, Cat. Nos. 99 3390 280 04, 99 3390 281 04, 99 3390 282 04, 99 3412 280 03, 99 3412 281 03, and 99 3412 282 03. M12 PCB Series 763, 766, and 876, Cat. Nos. 99 3432 200 04, 99 3432 202 04, 99 3432 458 04, 99 3432 601 04, 99 3442 200 05, 99 3442 202 05, 99 3442 458 05, 99 3442 601 05, 99 3482 200 08, 99 3482 202 08, 99 3482 458 08, 99 3482 601 08, 99 3732 200 04, 99 3732 201 04, 99 3732 202 04, 99 3732 203 04, 99 4442 200 05, 99 4442 202 05, 99 4442 458 05, 99 4442 601 05.

USR, CNR Male Inlets; M8 PCB Series 718, Cat. Nos. 99 3391 282 04 and 99 3403 282 03. M12 PCB Series 763, 766, and 876, Cat. Nos. 99 3431 200 04, 99 3431 202 04, 99 3431 458 04, 99 3431 601 04, 99 3441 200 05, 99 3441 202 05, 99 3441 458 05, 99 3441 601 05, 99 3481 200 08, 99 3481 202 08, 99 3481 458 08, 99 3481 601 08, 99 3731 200 04, 99 3731 201 04, 99 3731 202 04, 99 3731 203 04, 99 4445 200 05, 99 4445 202 05, 99 4445 458 05, 99 4445 601 05, 99 1200 000 04, 99 1200 000 05, 99 1200 001 04, 99 1200 001 05.

*Deborah Jennings-Conner*

Deborah Jennings-Conner, VP Regulatory Services

UL LLC

Any information and documentation involving UL Mark services are provided on behalf of UL LLC (UL) or any authorized licensee of UL. For questions, please contact a local UL Customer Service Representative at <http://ul.com/about/locations/>

