

2327670-3 ✓ ACTIVE

Sliver | Sliver for SFF-TA-1002

TE Internal #: 2327670-3

Sliver for SFF-TA-1002, Sliver, SFF-TA-1002, SlimSAS & MCIO Connectors, PCB Edge Card, Right Angle, OCP NIC 3.0 / Gen-Z, 140 Position, 2 Rows

[View on TE.com >](#)



Connectors > PCB Connectors > Sliver, SFF-TA-1002, SlimSAS & MCIO Connectors



Connector Mates With: **PCB Edge Card**

PCB Mount Orientation: **Right Angle**

Industry Standard: **Gen-Z, OCP NIC 3.0**

Number of Positions: **140**

Number of Rows: **2**

Features

Product Type Features

Connector Mates With	PCB Edge Card
Shell	Without
Sealable	No
Connector & Contact Terminates To	Printed Circuit Board

Configuration Features

PCB Mount Orientation	Right Angle
Number of Positions	140
Number of Rows	2

Contact Features

Contact Mating Area Plating Material	Gold
Contact Underplating Material	Nickel
PCB Contact Termination Area Plating Material	Tin
Contact Base Material	Copper Alloy
Contact Current Rating (Max)	1.1 A



Contact Mating Area Plating Material Thickness	.762 μm[30 μin]
--	-----------------

Termination Features

Termination Method to Printed Circuit Board	Surface Mount
---	---------------

Mechanical Attachment

Connector Mounting Type	Board Mount
-------------------------	-------------

Housing Features

Centerline (Pitch)	.6 mm[.023 in]
--------------------	----------------

Usage Conditions

Operating Temperature Range	-55 – 85 °C[-67 – 185 °F]
-----------------------------	---------------------------

Operation/Application

Circuit Application	Signal
---------------------	--------

Industry Standards

Industry Standard	Gen-Z, OCP NIC 3.0
-------------------	--------------------

Product Compliance

[For compliance documentation, visit the product page on TE.com>](#)

EU RoHS Directive 2011/65/EU	Compliant
EU ELV Directive 2000/53/EC	Not Yet Reviewed
China RoHS 2 Directive MIIT Order No 32, 2016	No Restricted Materials Above Threshold
EU REACH Regulation (EC) No. 1907/2006	Current ECHA Candidate List: JAN 2020 (205) Not Yet Reviewed
EU REACH Regulation (EC) No. 1907/2006	Current ECHA Candidate List: JAN 2020 (205) Not Yet Reviewed
Halogen Content	Low Halogen - Br, Cl, F, I < 900 ppm per homogenous material. Also BFR/CFR/PVC Free
Solder Process Capability	Not reviewed for solder process capability

Product Compliance Disclaimer

This information is provided based on reasonable inquiry of our suppliers and represents our current actual knowledge based on the information they provided. This information is subject to change. The part numbers that TE has identified as EU RoHS compliant have a maximum concentration of 0.1% by weight in homogenous materials for lead, hexavalent chromium, mercury, PBB, PBDE, DBP, BBP, DEHP, DIBP, and 0.01% for cadmium, or qualify for an exemption to these limits as defined in the Annexes of Directive 2011/65/EU (RoHS2). Finished electrical and electronic equipment products will be CE marked as required by Directive 2011/65/EU. Components may not be CE marked. Additionally, the part numbers that TE has identified as EU ELV compliant have a maximum concentration of 0.1% by weight in homogenous



materials for lead, hexavalent chromium, and mercury, and 0.01% for cadmium, or qualify for an exemption to these limits as defined in the Annexes of Directive 2000/53/EC (ELV). Regarding the REACH Regulations, TE's information on SVHC in articles for this part number is still based on the European Chemical Agency (ECHA) 'Guidance on requirements for substances in articles'(Version: 2, April 2011), applying the 0.1% weight on weight concentration threshold at the finished product level. TE is aware of the European Court of Justice ruling of September 10th, 2015 also known as O5A (Once An Article Always An Article) stating that, in case of 'complex object', the threshold for a SVHC must be applied to both the product as a whole and simultaneously to each of the articles forming part of its composition. TE has evaluated this ruling based on the new ECHA "Guidance on requirements for substances in articles" (June 2017, version 4.0) and will be updating its statements accordingly.

Compatible Parts



TE Model / Part # 2328461-1
280 POS., CONNECTOR ASSEMBLY, SLIVER 2.0



TE Model / Part # 2333799-1
RCPT ASSY, VERT, 168 POS, SLIVER 2.0



TE Model / Part # 2327677-1
RECEPT ASSY, 140 POS, VERT, SLIVER 2.0

Also in the Series | Sliver for SFF-TA-1002



Sliver, SFF-TA-1002, SlimSAS & MCIO Cable Assemblies(39)



Sliver, SFF-TA-1002, SlimSAS & MCIO Connectors(109)

Customers Also Bought



TE Model / Part #2289501-3
HEAT SINK FOR CFP4



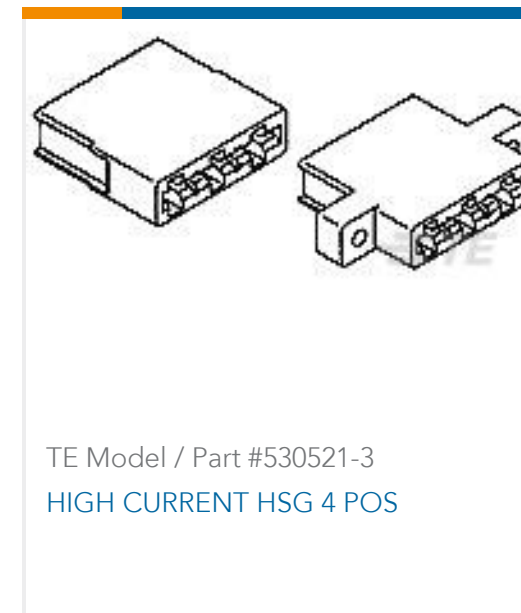
TE Model / Part #2289502-2
CFP4 1X4,HEATSINK CLIP



TE Model / Part #2304455-1
CFP4 1X1 RECEPTACLE COVER,WITH SCREW



TE Model / Part #3-644760-5
05P MTA156 HDR ASSY FL ST LF



Documents

Product Drawings

RECEPT ASSY, RA, 140 POS, SLIVER 2.0

English

CAD Files

3D PDF

3D

Customer View Model

ENG_CVM_CVM_2327670-3_8.2d_dxf.zip

English

Customer View Model

ENG_CVM_CVM_2327670-3_8.3d_igs.zip

English

Customer View Model

ENG_CVM_CVM_2327670-3_8.3d_stp.zip

English

By downloading the CAD file I accept and agree to the [Terms and Conditions](#) of use.

Product Specifications

Application Specification

English

Agency Approvals

UL Report

English