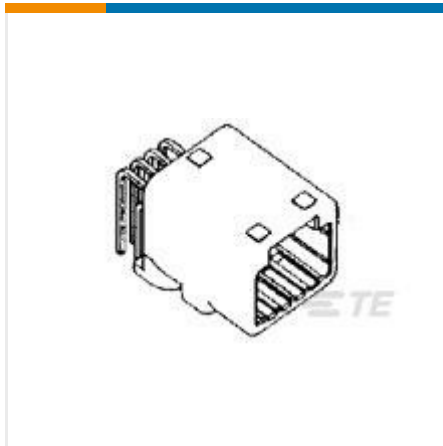




CONNECTORS

AUTOMOTIVE, TRUCK, BUS, & OFF-ROAD HEADERS



✓ Active

TE CONNECTIVITY (TE)

025 I/O CAP HSG ASSY 8P

TH/.025 Connector System

1376350-2

TE Internal Number: 1376350-2

EU RoHS Compliant

EU ELV Compliant

Tab Width .64 mm [.025 in]

Tab Thickness .64 mm [.025 in]

Centerline (Pitch) (in) .087

Pitch (mm) 2.2

Circuit Application Signal

[↓ PRODUCT DRAWING](#)
Japanese

[↓ 3D PDF](#)

DOCUMENTATION

Product Drawings

025 SERIES I/O CONNECTOR 8P CAP HOUSING ASSY

PDF

Japanese

CAD Files

Customer View Model

2D_DXF.ZIP

English

3D PDF

PDF

3D

Customer View Model

3D_IGS.ZIP

English

[Customer View Model](#)

3D_STP.ZIP

English

Product Specifications

Product Specification

[025 SERIES I/O CONNECTORS \(H-Type V-Type 2Row, Wire To Wire\)](#)

PDF

Japanese

[025 SERIES I/O CONNECTORS \(H-Type V-Type 2Row, Wire To Wire\)](#)

PDF

Japanese

[.025 IDC Connectors](#)

PDF

Japanese

[.025 IDC Connectors](#)

TIF

Japanese

[0.64III SERIES CONNECTOR 2ROW](#)

TIF

Japanese

[0.64III SERIES CONNECTOR 2ROW](#)

PDF

Japanese

[0.64III SERIES CONNECTOR 2ROW](#)

PDF

Japanese

[.025 IDC Connectors](#)

PDF

Japanese

[.025 IDC Connectors](#)

TIF

Japanese

Application Specification

[Crimping Of 025 Receptacle Contact](#)

TIF

Japanese

[Crimping Of 025 Receptacle Contact](#)

PDF

Japanese

Qualification Test Report

[025 SERIES CONNECTOR \(H-Type, V-Type, Wire To Wire\)](#)

PDF

Japanese

[0.64III SERIES CONNECTOR 2ROW](#)

PDF

Japanese

Instruction Sheets

Instruction Sheet (non U.S.)

025 SERIES I/O CONNECTORS (H-Type, V-Type 2Row)

PDF

Japanese

025 SERIES I/O CONNECTORS (H-Type, V-Type 2Row)

PDF

Japanese

FEATURES



Please review product documents or [contact us](#) for the latest agency approval information.

Please Note: Use the Product Drawing for all design activity.

Product Type Features

Sealed No

Hybrid Header No

Shielded No

Configuration Features

Number of Circuits 8

Number of Rows 2

Number of Sections 1

Number of Signal Positions 8

Electrical Characteristics

Nominal Voltage Architecture (V) 12

Voltage Rating (Max) (VDC) 12

Operating Voltage (VDC) 12

Body Features

Color Natural

Contact Features

Tab Width .64 mm [.025 in]

Tab Thickness .64 mm [.025 in]

Interface Plating Tin (Sn)

Termination Features

Termination Method Through Hole - Solder

Mechanical Attachment

Mounting Orientation Horizontal/90°
Panel Mount Retention Without
Mounting Holes With
PCB Mount Alignment Without
Locking Interface With
PCB Mount Retention Without

Housing Features

Centerline (Pitch) (in) .087
Pitch (mm) 2.2

Dimensions

Profile Height from PCB 15.5 mm [.61 in]
Width 14.2 mm [.559 in]
PCB Thickness (Recommended) 1.2 – 1.6 mm [.048 – .062 in]
Length 24.47 mm [.963 in]

Usage Conditions

Operating Temperature (Max) (°C) 65, 70, 75, 80, 85, 90, 100, 105
Operating Temperature (Max) (°F) 149, 158, 167, 176, 185, 194, 212, 221
Operating Temperature Range -30 – 105 °C [-22 – 221 °F]

Operation/Application

Circuit Application Signal

Industry Standards

UL Flammability Rating UL 94-HB
Degree of Protection other

Packaging Features

Packaging Type Tube
Packaging Quantity 32

Statement of Compliance

Statement of Compliance

PDF