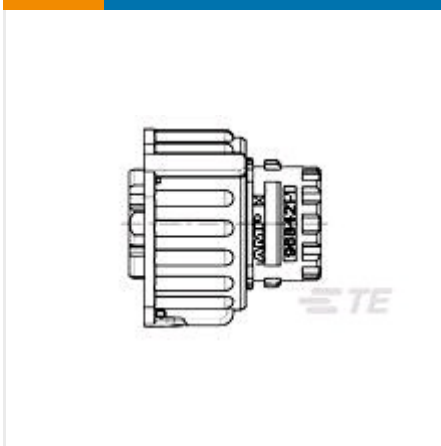




CONNECTORS

AUTOMOTIVE, TRUCK, BUS, & OFF-ROAD HOUSINGS



✓ Active

TE CONNECTIVITY (TE)

1.5MM SOCKET CONNECTOR 7POS

AMP | Connector for Circular Contact Systems

3-967650-1

TE Internal Number: 3-967650-1

EU RoHS Compliant

EU ELV Compliant

Connector Style Housing for female terminals

Mating Pin Diameter 1.5 mm [.059 in]

Connector System Wire-to-Wire

Number of Positions 7

Centerline (Pitch) 5.7 mm [.224 in]

[↓ PRODUCT DRAWING](#)
English

[↓ 3D PDF](#)

DOCUMENTATION

Product Drawings

1.5mm SOCKET CONNECTOR, 5-7POS 1.5mm Buchsenstecker, 5-7pol.

PDF

English

CAD Files

3D PDF

PDF

3D

Customer View Model

2D_DXF.ZIP

English

Customer View Model

3D_IGS.ZIP

English

Customer View Model

3D_STP.ZIP

English

FEATURES



Please review product documents or [contact us](#) for the latest agency approval information.

Please Note: Use the Product Drawing for all design activity.

Product Type Features

Connector Style Housing for female terminals

Connector System Wire-to-Wire

Sealable Yes

Hybrid Connector No

Primary Locking Feature On the terminal

Strain Relief No

Configuration Features

Number of Positions 7

Body Features

Connector Code C

Color Other

Cable Exit Angle 180°

Body Material Other

Contact Features

Mating Pin Diameter 1.5 mm [.059 in]

Mechanical Attachment

Mounting Feature No

Terminal Position Assurance No

Polarized No

Housing Features

Centerline (Pitch) 5.7 mm [.224 in]

Dimensions

Height 32.8 mm [1.291 in]

Length 31 mm [1.22 in]

Usage Conditions

Operating Temperature Range -40 – 120 °C [-40 – 248 °F]

Industry Standards

Degree of Protection IP69K

UL Flammability Rating UL 94-HB

Packaging Features

Packaging Method Box

Packaging Quantity 500

Other

Connector Position Assurance Capable No

Serviceable No

PRODUCT COMPLIANCE



Statement of Compliance

Statement of Compliance

PDF
