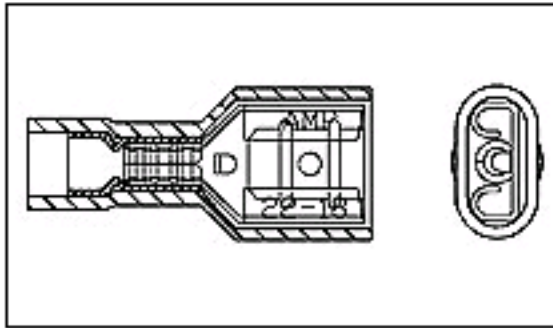


735278-1 Product Details

[Share](#) | [Print](#) | [Email](#)


735278-1

TE Internal Number: 735278-1

Active

[View 3D PDF](#)

Quick Disconnect Receptacles - Insulated

[Always EU RoHS/ELV Compliant \(Statement of Compliance\)](#)

Product Highlights:

- Proprietary Name = PIDG FASTON
- Receptacle Style = Straight
- Fully Insulated
- Wire Range = 1.00-1.50² [17-15] mm [AWG]
- Mating Area Interface Dimensions = 6.35 x 0.81 mm

[View all Features](#)

Quick Links

- ▶ [Check Pricing & Availability](#)
- ▶ [Search for Tooling](#)
- ▶ [Product Feature Selector](#)
- ▶ [Contact Us About This Product](#)

[Add to My Part List](#) | [Request Sample](#) | [Find Similar Products](#) | [Buy Product](#)

Documentation & Additional Information

Product Drawings:

- [receptaculo fastin serie q35 aislado pidg](#) (PDF, English)

Catalog Pages/Data Sheets:

- None Available

Product Specifications:

- [PIDG and PLASTI-GRIP FASTON Terminal](#) (PDF, English)

Application Specifications:

- None Available

Instruction Sheets:

- [APPLICATION OF AMP FULLY INSULATED FASTON* RECEPTACL...](#) (PDF, English)

CAD Files: ([CAD Format & Compression Information](#))

- [2D Drawing](#) (DXF, Version F)
- [3D Model](#) (IGES, Version F)
- [3D Model](#) (STEP, Version F)

Additional Information:

- [Product Line Information](#)

Related Products:

- [Tooling](#)

[List all Documents](#)

Product Features (Please use the Product Drawing for all design activity)

Product Type Features:

- [Proprietary Name](#) = PIDG FASTON
- [Receptacle Style](#) = Straight
- [Mating Area Interface Dimensions \(mm \[in\]\)](#) = 6.35 x 0.81 [.250 x .032]
- [Insulation Diameter \(mm \[in\]\)](#) = 3.30 [.129] Max.
- [Insertion Force](#) = Normal
- [Material](#) = Phosphor Bronze
- [Finish](#) = Tin
- [Dimple Type](#) = Dimple without wire stop
- Insulation Support = Insulation Support
- Color = Red

Electrical Characteristics:

- Voltage (VAC) = 300

Body Features:

- [Fully Insulated](#) = Yes
- [Wire Range \(mm \[AWG\]\)](#) = 1.00-1.50² [17-15]
- Insulation Sleeve Material = Nylon

Industry Standards:

- [RoHS/ELV Compliance](#) = RoHS compliant, ELV compliant
- [Lead Free Solder Processes](#) = Not relevant for lead free process
- RoHS/ELV Compliance History = Always was RoHS compliant

Packaging Features:

- [Packaging Method](#) = Loose Piece
- Packaging Quantity = 100

Other:

- Brand = AMP
- Comment = CERTI-CRIMP Hand Tool P/N 90035-3 is for Wire Range [0.3 - 1.0]mm² CERTI-CRIMP Hand Tool P/N 47386-4 is for Wire Range [1.0 - 1.5]mm²; Fully Insulated

Corporate Information

- [Who We Are](#)
- [Investors](#)
- [News Room](#)
- [Supplier Portal](#)
- [Careers](#)

Quick Links

- [Check Distributor Inventory](#)
- [Cross Reference](#)
- [Find Documents & Drawings](#)
- [Product Compliance Support Center](#)
- [Site Map](#)

Customer Support

- [Email or Chat With Us](#)
- [Find a Phone Number](#)
- [Search Knowledge Base](#)
- [Manage your Account](#)

Keep Me Informed

Receive TE News, Events & Technology Updates

