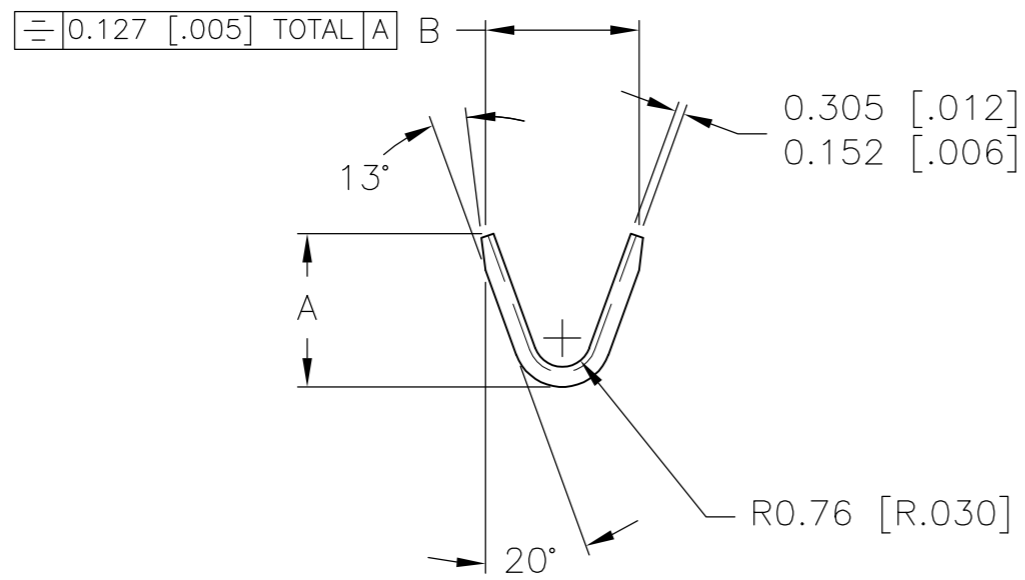
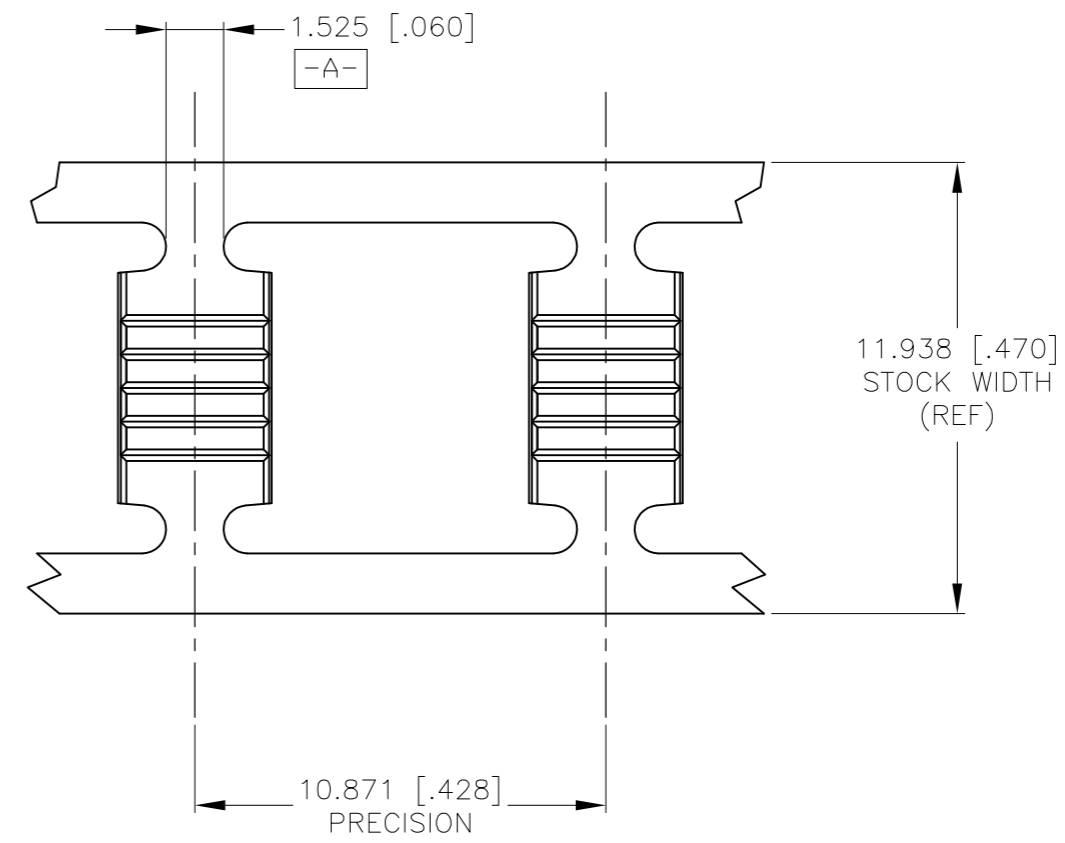
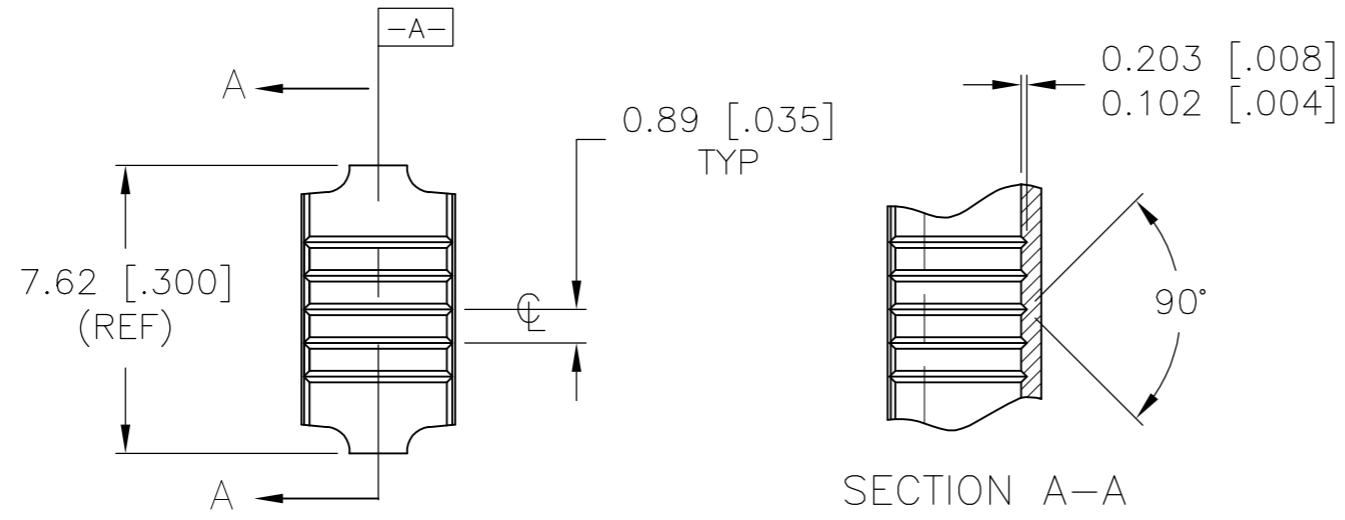


THIS DRAWING IS UNPUBLISHED. RELEASED FOR PUBLICATION
 © COPYRIGHT - By - ALL RIGHTS RESERVED.

LOC		DIST		REVISIONS			
P	LTR	DESCRIPTION		DATE	DWN	APVD	
FX	00	C		REVISED PER ECO-11-013268	15AUG2011	DD	WW



-	-	-	-	-
.14/.12	.165/.135	14	1438255-2	-
.16/.14	.205/.175	12	1438255-1	2-1438255-1
B	A	WIRE GAGE	TE P/N	LOOSE PIECE P/N

THIS DRAWING IS A CONTROLLED DOCUMENT.		DWN	12 JUNE 2003																				
		CHK	JR BUSSARD																				
		APVD	DM REVAK																				
		APVD	DM REVAK																				
DIMENSIONS: mm [INCHES]		TOLERANCES UNLESS OTHERWISE SPECIFIED:		NAME																			
<table border="1"> <tr><td>0 PLC</td><td>±</td><td>-</td></tr> <tr><td>1 PLC</td><td>±</td><td>-</td></tr> <tr><td>2 PLC</td><td>±</td><td>.01</td></tr> <tr><td>3 PLC</td><td>±</td><td>.005</td></tr> <tr><td>4 PLC</td><td>±</td><td>-</td></tr> <tr><td>ANGLES</td><td>±</td><td>±1°</td></tr> </table>		0 PLC	±	-	1 PLC	±	-	2 PLC	±	.01	3 PLC	±	.005	4 PLC	±	-	ANGLES	±	±1°	PRODUCT SPEC		SPLICE CLIP	
0 PLC	±	-																					
1 PLC	±	-																					
2 PLC	±	.01																					
3 PLC	±	.005																					
4 PLC	±	-																					
ANGLES	±	±1°																					
MATERIAL		FINISH		SIZE																			
CA260 1/2 HARD		-		A2 00779 C=1438255																			
		WEIGHT		RESTRICTED TO																			
		-		-																			
		CUSTOMER DRAWING		SCALE 5:1 SHEET 1 OF 1 REV C																			