

## TNC Connectors

### Product Facts

#### Hex Crimp and O Crimp Connectors

- 50 and 75 ohm commercial versions available
- Provides excellent performance at frequencies up to 7 GHz
- Low cost commercial type available
- Commercial type is smaller and lighter weight
- Tarnish resistant nickel finish
- Choice of dielectric materials
- Standard and weatherproof versions available
- Plugs available for high temperature cable

#### Single Crimp Connectors

- Fast application—one crimping operation terminates inner conductor, outer braid and cable support
- Low application cost

#### Connectors for Semi-Rigid Cable

- Crimp and solder versions available
- Standard cable stripping dimensions
- Universal cable termination common to all configurations

Listed under the Component Program of Underwriters Laboratories Inc.,   
File No. E81956

PC Board connectors are recognized under the Component Program of Underwriters Laboratories Inc.,   
File No. E81956

Certified by Canadian Standards Association   
File No. LR 7189

### Between Series Adapters

For TNC Between Series Adapters, see pages 251-260.

The Tyco Electronics TNC RF connector family, with 7/16-28 threaded couplings, provides low noise levels and optimum stability, and can withstand the shock and vibration often present in hostile environments.

Available in both 50 and 75 ohm versions, these connectors feature numerous styles including cable plugs and jacks, adapters and printed circuit board connectors. These connectors accept a wide range of coaxial cables and are intermateable with industry standard connectors designed to MIL-C-39012 specifications.

Single crimp connectors provide reduced application time and lower applied costs. This is accomplished by using Tyco Electronics one-crimp operation tooling which simultaneously terminates the inner conductor, outer braid and cable support with one controlled stroke.

Tyco Electronics can also supply low-cost alternatives with a commercial type product line. These connectors are designed around the mil-specifications, offering comparable mechanical and electrical performance.



### Related Product Data

**Military Category** — All crimp connectors are Category B Type (Tyco Electronics Crimp Tooling), unless otherwise noted.

**Packaging** — All Mil-Type connectors are packaged individually and all Commercial connectors are bulk packaged unless otherwise noted.

**TNC Connectors** (Continued)

**Specifications**

Characteristics	Single Crimp (MIL Type)	Category B O Crimp (MIL Type)	Commercial O Crimp & Hex Crimp 50 & 75 Ohm	Commercial PCB	Commercial Solder Jacks	Semi-Rigid	Solder Clamp
<b>Electrical</b>							
Impedance, Nom. (Ohms)	50	50	50	50	50	50	50
Working Voltage (Volts RMS)	500	500	500	500	500	335	500
Contact Resistance (Milliohms)	Inner: 1.5 Outer: 3	Inner: 1.5 Outer: 0.2	Inner: 2.0 Outer: 0.3	Inner: 6.0 Outer: 3.0	Inner: 2.75 Outer: 1.0	Inner: 1.5 Outer: 0.2	Inner: 1.5 Outer: 0.2
Initial Insulation Resistance (Megohms)	5000	5000	5000	5000	5000	5000	5000
Dielectric Withstanding Voltage (VAC)	1500	1500	1500	1500	1500	1500	1500
Corona Level at 70,000 ft. (Picocoulombs)	5 max. @ 375 VRMS	5 max. @ 375 VRMS	5 max. @ 375 VRMS	—	—	5 max. @ 375 VRMS	5 max. @ 375 VRMS
RF Leakage, Max. (dB)	—	60 @ 2-3 GHz	55 @ 2-3 GHz	—	—	60 @ 2-3 GHz	55 @ 2-3 GHz
RF Insertion Loss, Max. (dB)	—	0.18 @ 9 GHz	0.2 @ 3 GHz	—	—	0.06 @ 3-6 GHz	0.2 @ 3 GHz
Frequency Range (GHz)	0-4	0-11	0-7	0-4	0-4	0-15	0-11
VSWR in Frequency Range Max.	1.35	1.3	1.40	—	—	1.35	1.30 @ 4 GHz
<b>Mechanical</b>							
Force to Engage/ Couple, lbs. [N]	10/2 [44.5/8.9]	2/2 [8.9/8.9]	6/6 [26.7/26.7]	—	—	2 [.023]	2 [.023]
Coupling Nut Retention, Min. lbs. [N]	100 [444.8]	100 [444.8]	60 [266.9]	—	—	100 [444.8]	100 [444.8]
Cable Retention, lbs. [N]	60 [266.9] RG 58C/U	60 [266.9] RG 58C/U	60 [266.9] RG 58C/U	60 [266.9] (PCB Ret)	—	60 [266.9]	40 [178.0]
Durability (Cycles)	500	500	500	500	500	500	500
Jam Nut Mounting Torque, Max. lbs. [N•m]	25 [2.8]	25 [2.8]	25 [2.8]	25 [2.8]	25 [2.8]	25 [2.8]	25 [2.8]
<b>Environmental</b>							
Temperature Range, Operating (C°)	-65 to +85	-65 to +165 <sup>1</sup> -55 to +85 <sup>2</sup>	-55 to +85	-55 to +85	-65 to +165	-65 to +105	-65 to +165
Vibration	MIL-STD-202 Method 204 Cond. B	MIL-STD-202 Method 204 Cond. B	MIL-STD-202 Method 204 Cond. B	MIL-STD-202 Method 201A Cond. A	MIL-STD-202 Method 204 Cond. B	MIL-STD-202 Method 202 Cond. B	MIL-STD-202 Method 202 Cond. B
Physical Shock	MIL-STD-202 Method 213 Cond. G, (50 G's)	MIL-STD-202 Method 213 Cond. I, (100 G's)	MIL-STD-202 Method 213 Cond. I, (100 G's)	MIL-STD-202 Method 213 Cond. I, (100 G's)	MIL-STD-202 Method 213 Cond. I, (100 G's)	MIL-STD-202 Method 213 Cond. I	MIL-STD-202 Method 213 Cond. I
Thermal Shock	MIL-STD-202 Method 107	MIL-STD-202 Method 107 Cond. B	MIL-STD-202 Method 107 Cond. A	MIL-STD-202 Method 107	MIL-STD-202 Method 107	MIL-STD-202 Method 107	MIL-STD-202 Method 107
Moisture Resistance	MIL-STD-202 Method 106	MIL-STD-202 Method 106	MIL-STD-202 Method 106 Type II	MIL-STD-202 Method 106	MIL-STD-202 Method 106	MIL-STD-202 Method 106	MIL-STD-202 Method 106
Salt Spray	MIL-STD-202 Method 101 Cond. B	MIL-STD-202 Method 101 Cond. B	MIL-STD-202 Method 101 Cond. B	MIL-STD-202 Method 101 Cond. B	MIL-STD-202 Method 101 Cond. B	MIL-STD-202 Method 101 Cond. B	MIL-STD-202 Method 101 Cond. B
Product Specification	—	108-12001	108-12046	—	—	108-12032	—

<sup>1</sup>Assembled to cable with polytetrafluorethylene dielectric.  
<sup>2</sup>Assembled to cable with polyethylene dielectric.

**TNC Connectors** (Continued)

**Specifications** (Continued)

Characteristics	Single Crimp (MIL Type)	Category B O Crimp (MIL Type)	Commercial O Crimp & Hex Crimp 50 & 75 Ohm	Commercial PCB	Commercial Solder Jacks	Semi-Rigid	Solder Clamp
<b>Connector Material</b>							
Collar	Brass QQ-B-626	Brass QQ-B-626	Brass QQ-B-626	—	—	Brass QQ-B-626	Brass QQ-B-626
Outer Contact (Plug)	Phos. Bronze QQ-B-750 Beryl. Copper QQ-C-530	Phos. Bronze QQ-B-750 Beryl. Copper QQ-C-530	Brass MIL-C-21768	—	—	Brass QQ-B-626	Brass QQ-B-626
Outer Contact (Jack)	Brass QQ-B-626	Brass QQ-B-626	Zinc QQ-Z-363	Zinc QQ-Z-363	Zinc QQ-Z-363	Brass QQ-B-626	Brass QQ-B-626
Dielectric	PTFE MIL-P-19468	PTFE MIL-P-19468	Polyethylene Polypropylene Gen. Purpose	Polypropylene Gen. Purpose <sup>1</sup>	PTFE MIL-P-19468 Polyester PBT MIL-P-24519	PTFE MIL-P-19468	PTFE MIL-P-19468
Center Contact (Plug)	Brass QQ-B-626	Brass QQ-B-626	Brass QQ-B-626	—	—	Brass QQ-B-626	Brass QQ-B-626
Center Contact (Jack)	Beryl. Copper ASTM-B-643, QQ-C-530	Beryl. Copper ASTM-B-643, QQ-C-530	Beryl. Copper QQ-C-530	Phos. Bronze QQ-B-570	Phos. Bronze QQ-B-570	Beryl Copper QQ-C-530	Beryl Copper QQ-C-530
Gasket	Silicon Rubber QQ-R-765	Silicon Rubber QQ-R-765	Silicon Rubber QQ-R-765	—	—	Silicone Rubber QQ-R-765	Silicone Rubber QQ-R-765
Ferrule	Copper QQ-C-576	Copper QQ-C-576	Copper QQ-C-576	—	—	—	—
<b>Connector Primary Finishes<sup>2</sup></b>							
Collar	Silver QQ-S-365	Silver QQ-S-365	Bright Nickel QQ-N-290	—	—	Nickel QQ-N-290	Nickel QQ-N-290
Outer Contact (Plug & Jack)	Silver QQ-S-365	Bright Nickel QQ-N-290	Bright or Matte Nickel QQ-N-290	Bright Nickel QQ-N-290	Bright Nickel QQ-N-290	Nickel QQ-N-290	Nickel QQ-N-290
Center Contact (Plug & Jack)	Gold MIL-G-45204	Silver QQ-S-365	Tin Lead, ASTM-B-545 Silver, QQ-S-365 Gold, MIL-G-45204	Tin Lead, ASTM-B-545 Silver, QQ-S-365 Gold, MIL-G-45204	Tin Lead, ASTM-B-545 Silver, QQ-S-365 Gold, MIL-G-45204	Gold MIL-G-45204	Gold MIL-G-45204
Ferrule	Silver QQ-S-365	Gold MIL-G-45204	Tin Lead ASTM-B-5	—	—	—	—

<sup>1</sup>Several pc board connectors have an outer polyester PBT insulator per MIL-P-24519.

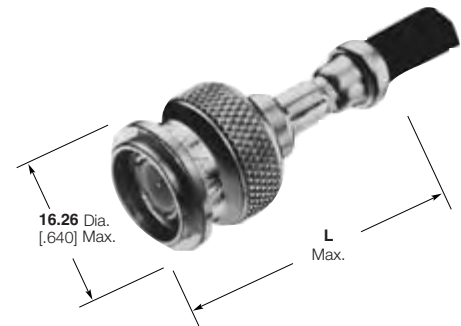
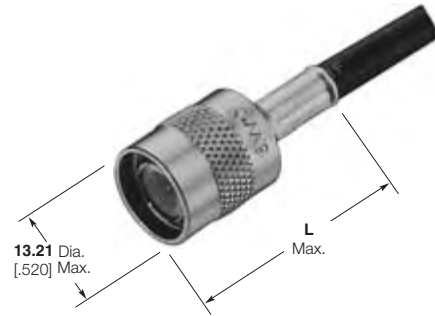
<sup>2</sup>If several finishes are listed, refer to individual catalog page(s) or customer drawings for exact specifications.

## TNC Connectors, 50 Ohm

### Plugs, Crimp

#### Hex Crimp and O Crimp

#### MIL Type O Crimp Weatherproof



RG/U Cable	Termination Type	Center Contact Plating	Body Plating	Dielectric	Style	Comments	Dim. L	CERTI-CRIMP Hand Tool with Integral Die	Interchangeable Dies for PRO-CRIMPER Hand Tool 354940-1 or PRO-CRIMPER Adapter 679304-1	Part No.
174, 188, 188A, 316	Hex Crimp	Gold	Nickel	Polypropylene	Commercial	—	<b>31.24</b> 1.230	—	58436-3	<b>5222506-5</b>
179, 179A, 179B, 161, 187, 187A, BELDEN 9221	Hex Crimp	Gold	Nickel	Polypropylene	Commercial	—	<b>31.24</b> 1.230	—	58436-3	<b>5222506-6</b>
58, 58A, 58B, 58C	Hex Crimp	Gold	Nickel	Polypropylene	Commercial	—	<b>31.25</b> 1.230	—	58436-1 <sup>1</sup>	<b>5222506-1</b>
	O Crimp	Gold	Nickel	PTFE	MIL Type	Weatherproof	<b>34.93</b> 1.375	220045-2	—	<b>5225555-2</b>
142, 142A, 142B, 400	O Crimp	Gold	Nickel	PTFE	MIL Type	Weatherproof	<b>34.93</b> 1.375	220045-2	—	<b>5225555-6</b>
8, 8A, 213	O Crimp	Gold	Nickel	PTFE	MIL Type	Weatherproof	<b>50.8</b> 2.000	220015-1	—	<b>5225555-7</b>
9, 9A, 9B, 214	O Crimp	Gold	Nickel	PTFE	MIL Type	Weatherproof	<b>50.8</b> 2.000	220015-1	—	<b>5225555-8</b>

<sup>1</sup>Order Tyco Electronics PRO-CRIMPER Coaxial Hex Crimp Hand Tool assembly 58433-2, which includes dies 58436-1.

BELDEN is a trademark of Belden Wire and Cable Company.

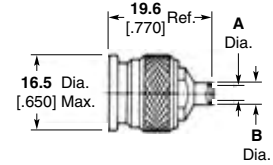
**Note:** Part Numbers are RoHS compliant except: ♦ Indicates non-RoHS compliant.

**TNC Connectors, 50 Ohm (Continued)**

**Plugs for Semi Rigid-Cable**



**Solder Type**



RG/U Cable	Termination Type	Center Contact Plating	Body Plating	Dielectric	Style	Comments	Dim. A	Dim. B	Interchangeable Dies for PRO-CRIMPER Hand Tool 354940-1 or PRO-CRIMPER Adapter 679304-1	Interchangeable Dies for Hand Tool 69710-1 & 626 Pneu. Head 318161-1	Part No.
405 Semi-Rigid/ 2.18 [.086]	Solder	Gold	Passivate	Solid PTFE	MIL Type	—	2.3 .089	3.0 .120	—	3	1057635-1
402 Semi-Rigid/ 3.66 [.141]	Crimp	Gold	Nickel	PTFE	Commercial	Weather proof	—	—	1	2	228179-3
RG 402/U .141 3.66 [.141]	Solder	Gold	Gold	Solid PTFE	MIL Type	—	3.7 .144	4.6 .180	—	3	1057631-1

<sup>1</sup>Hand Tool 59980-1, Requires (2) Crimping Dies 312253-1 and (1) Locator 312644-1.

<sup>2</sup>Pneumatic Tool 58318-1, Requires (2) Crimping Dies 313720-1 and (1) Locator 312645-1.

<sup>3</sup>Refer to Recommended Assembly Tools in Tool Section.

**Note:** Part Numbers are RoHS compliant except: ♦ Indicates non-RoHS compliant.

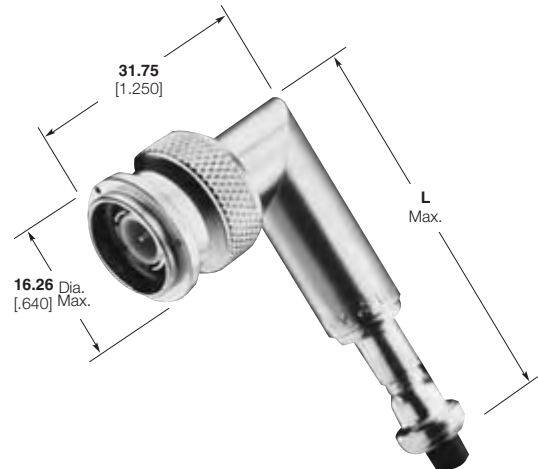
**TNC Connectors, 50 Ohm (Continued)**

**Right-Angle Plugs,  
Crimp**

**O Crimp**

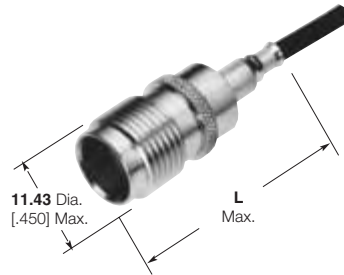


**MIL Type  
O Crimp  
Weatherproof**



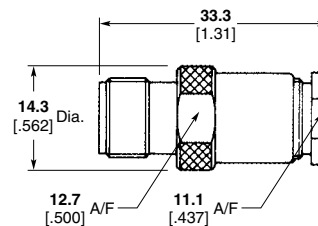
RG/U Cable	Termination Type	Center Contact Plating	Body Plating	Dielectric	Style	Comments	Dim. L	CERTI-CRIMP Hand Tool with Integral Die	Interchangeable Dies for PRO-CRIMPER Hand Tool 354940-1 or PRO-CRIMPER Adapter 679304-1	Part No.
174, 174A, 188 188A, 316	O Crimp	Gold	Nickel	Polymethyl-pentene	Commercial	—	<b>38.23</b> 1.505	—	318450-2	<b>5414173-3</b>
58, 58A, 58B 58C	O Crimp	Gold	Nickel	PTFE	MIL Type	Weatherproof	<b>47.63</b> 1.875	220045-2	—	<b>5225559-2</b>
55, 55A, 55B 223	O Crimp	Gold	Nickel	Polymethyl-pentene	Commercial	—	<b>38.23</b> 1.505	—	220189-1	<b>5414173-6</b>
142, 142A, 142B 400	O Crimp	Gold	Silver	PTFE	MIL Type	Weatherproof	<b>47.63</b> 1.875	220045-2	—	<b>5225554-6</b>
8, 8A, 213	O Crimp	Gold	Nickel	PTFE	MIL Type	Weatherproof	<b>63.5</b> 2.500	220015-1	—	<b>5225559-8</b>
393, 225	O Crimp	Gold	Silver	PTFE	MIL Type	Weatherproof	<b>63.5</b> 2.500	220015-1	—	<b>1-5225554-1</b>
9, 9A, 9B, 214	O Crimp	Gold	Silver	PTFE	MIL Type	—	<b>59.52</b> 2.343	220015-1	—	<b>5225349-9</b>

**Note:** Part Numbers are RoHS compliant except: ♦ Indicates non-RoHS compliant.

**TNC Connectors, 50 Ohm (Continued)**
**Jacks, Crimp**
**O Crimp**

**MIL Type  
O Crimp  
Weatherproof**


RG/U Cable	Termination Type	Center Contact Plating	Body Plating	Dielectric	Style	Comments	Dim. L	CERTI-CRIMP Hand Tool with Integral Die	Interchangeable Dies for PRO-CRIMPER Hand Tool 354940-1 or PRO-CRIMPER Adapter 679304-1	Part No.
174, 174A, 188 188A, 316	O Crimp	Gold	Nickel	Polymethyl- pentene	Commercial	—	<b>30.48</b> 1.200	—	318450-2	<b>5414171-3</b>
58, 58A, 58B 58C	O Crimp	Gold	Silver	PTFE	MIL Type	Weatherproof	<b>35.72</b> 1.406	220045-2*	—	<b>225551-2</b>
141, 141A, 303	O Crimp	Gold	Silver	PTFE	MIL Type	Weatherproof	<b>35.72</b> 1.406	220045-2*	—	<b>225551-5</b>
55, 55A, 55B 223	O Crimp	Gold	Nickel	Polymethyl- pentene	Commercial	—	<b>29.85</b> 1.175	—	220189-1	<b>414171-6</b>
142, 142A, 142B 400	O Crimp	Gold	Silver	PTFE	MIL Type	Weatherproof	<b>35.72</b> 1.406	220045-2*	—	<b>225551-6</b>

\*Battery, Pneumatic

**Jacks, Solder/Clamp**


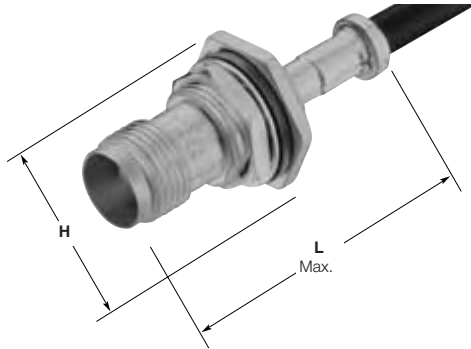
RG/U Cable	Termination Type	Center Contact Plating	Body Plating	Dielectric	Style	Part No.
RG 58C/U, RG 141 A/U	Solder/Clamp	Gold	Silver	PTFE	MIL Type	<b>1312569-1</b>

**Note:** Part Numbers are RoHS compliant except: ♦ Indicates non-RoHS compliant.

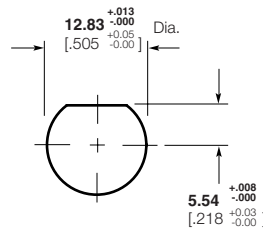
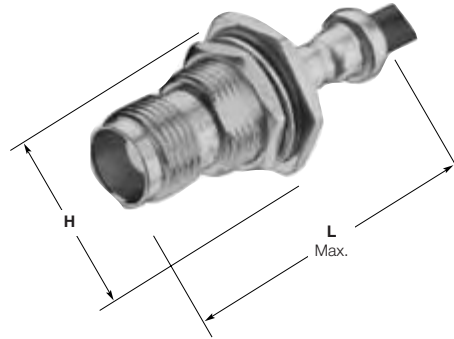
**TNC Connectors, 50 Ohm (Continued)**

**Bulkhead Jacks, Crimp**

**Single Crimp**



**O Crimp**



Maximum Panel Thickness Single Crimp **3.18** [.125];  
Dual Crimp **6.35** [.250]

**Recommended Panel Cutout**

H= **11/16** [.6875] max. across flats, **20.32** [.800] max. across points.

RG/U Cable	Termination Type	Center Contact Plating	Body Plating	Dielectric	Style	Comments	Dim. L	CERTI-CRIMP Hand Tool with Integral Die	Interchangeable Dies for PRO-CRIMPER Hand Tool 354940-1 or PRO-CRIMPER Adapter 679304-1	Part No.
174, 174A, 316 188, 188A	O Crimp	Gold	Nickel	Polymethyl-pentene	Commercial	—	<b>34.93</b> 1.375	—	318450-2	<b>5414168-3</b>
179, 179A, 179B 161, 187, 187A BELDEN 9221	Single Crimp	Gold	Nickel	PTFE	MIL Type	—	<b>38.1</b> 1.500	—	91910-1	<b>5331238</b>
RD 188, 316 Double Braid	O Crimp	Gold	Nickel	Polymethyl-pentene	Commercial	—	<b>34.93</b> 1.375	—	58539-1	<b>5414168-4</b>
58, 58A, 58B, 58C 141, 141A, 303	O Crimp	Gold	Nickel	Polymethyl-pentene	Commercial	—	<b>34.93</b> 1.375	—	220189-1	<b>5414168-1</b>
223 55, 55A, 55B	O Crimp	Gold	Nickel	Polymethyl-pentene	Commercial	—	<b>34.93</b> 1.375	—	220189-1	<b>5414168-6</b>
142, 142A 142B, 400	O Crimp	Gold	Nickel	Polymethyl-pentene	Commercial	—	<b>34.93</b> 1.375	—	220189-1	<b>5414168-5</b>
	O Crimp	Gold	Nickel	PTFE	MIL Type	Weatherproof	<b>38.1</b> 1.500	220045-2	—	<b>5225557-6</b>

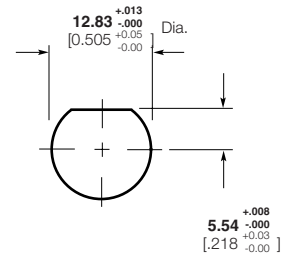
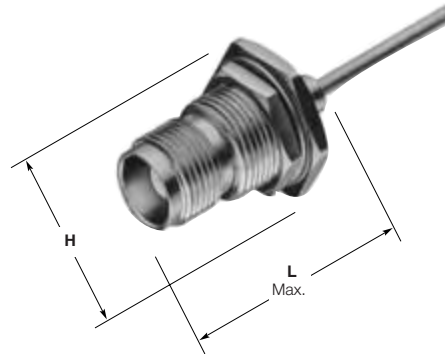
BELDEN is a trademark of Belden Wire and Cable Company.

**Note:** Part Numbers are RoHS compliant except: ♦ Indicates non-RoHS compliant.



**TNC Connectors, 50 Ohm (Continued)**

**Bulkhead Jacks for  
Semi-Rigid Cable,  
Rear Mount**



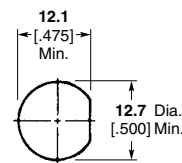
Maximum Panel Thickness **6.35** [.250]

**Recommended  
Panel Cutout**

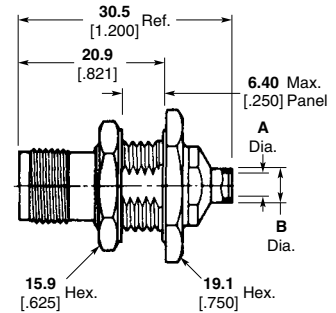
H = **17.45** [.687] max. across flats, **20.32** [.800] max. across points.

RG/U Cable	Termination Type	Center Contact Plating	Body Plating	Dielectric	Style	Dim. L	Part No.
402 Semi-Rigid/ <b>3.66</b> [.141]*	Crimp	Gold	Nickel	PTFE	MIL Type	<b>25.4</b> 1.000	<b>228502-1</b>

\*Tooling—Hand Tool 59980-1, Requires (2) Crimping Dies 312253-1 and (1) Locator 220220-2.



**Recommended  
Panel Cutout**

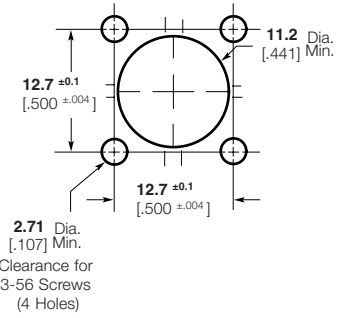
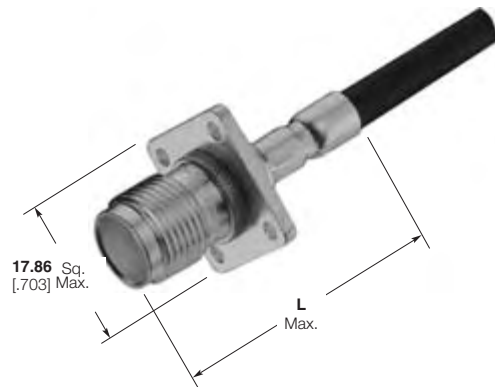


RG/U Cable	Termination Type	Center Contact Plating	Body Plating	Dielectric	Style	Dim. A	Dim. B	Part No.
RG 402/U <b>3.66</b> [.141]	Solder	Gold	Pass. Stainless Steel	Solid PTFE	MIL Type	<b>3.7</b> .144	<b>4.6</b> .180	<b>1057676-1</b>
RG 405/U <b>2.16</b> [.085]	Solder	Gold	Pass. Stainless Steel	Solid PTFE	MIL Type	<b>2.3</b> .089	<b>3.0</b> .120	<b>1057679-1</b>

**Note:** Part Numbers are RoHS compliant except: ♦ Indicates non-RoHS compliant.

**TNC Connectors, 50 Ohm (Continued)**

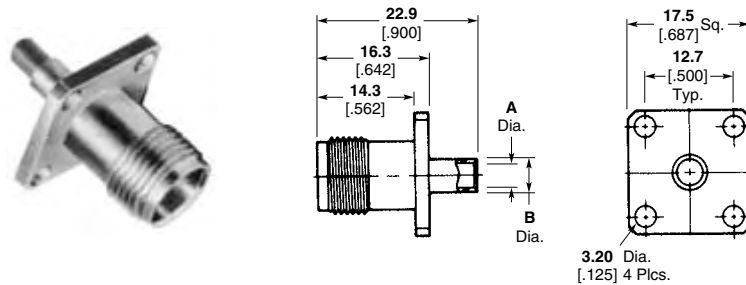
**Panel Jacks, Crimp**



**Recommended Panel Cutout**

RG/U Cable	Termination Type	Center Contact Plating	Body Plating	Dielectric	Style	Dim. L	CERTI-CRIMP Hand Tool With Integral Die	Part No.
58, 58A, 58B, 58C	Crimp	Gold	Silver	PTFE	MIL Type	34.93 1.375	220045-2	225348-2

**Panel Jacks for Semi-Rigid Cable**

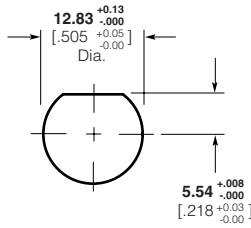


RG/U Cable	Termination Type	Center Contact Plating	Body Plating	Dielectric	Style	Dim. A	Dim. B	Part No.
RG 402/U 3.66 [.141]	Solder	Gold	Gold	PTFE	MIL Type	3.7 .144 Min.	4.6 .180	1057697-1
RG 405/U 2.16 [.085]	Solder	Gold	Gold	PTFE	MIL Type	2.3 .089 Min.	3.0 .120	1057699-1

**Note:** Part Numbers are RoHS compliant except: ♦ Indicates non-RoHS compliant.

**TNC Connectors, 50 Ohm (Continued)**

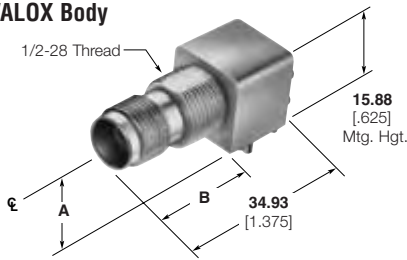
**Right-Angle PC Board/  
Panel Mount Jacks**



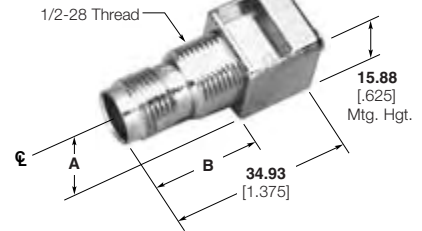
Maximum Panel Thickness 6.1 [.240]

**Recommended  
Panel Cutout**

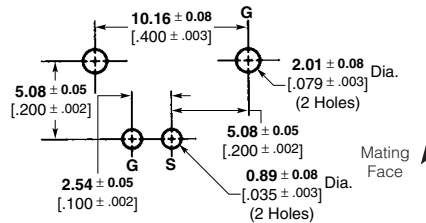
**VALOX Body**



**Metal Body**



Body Material	Ω	Center Contact Plating	Dimensions		Part Numbers
			A	B	
VALOX, White	50	Gold	8.56 .337	21.21 .835	5227818-1
Metal	50	Gold	8.26 .325	20.83 .820	5227839-1



(Top View)

**Recommended PC Board Layout**

**Vertical PC Board/  
Panel Mount Jacks**

\*2-56 Self-Tapping Screws:  
For 1.57 [3/32] or greater panel thickness  
Part No. **221108-2**  
For less than 1.57 [3/32] panel thickness  
Part No. **221108-4**

**Lockwasher and Jam Nut**

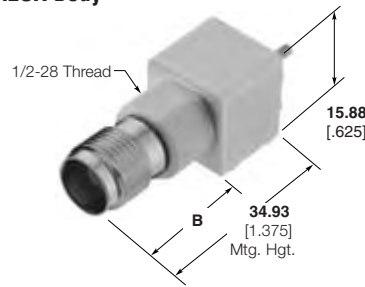


Part No.  
**1-329632-2**

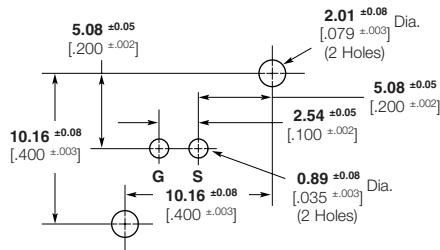


Part No.  
**1-329631-2**

**VALOX Body**



Body Material	Center Contact Plating	Dimension B	Part Number
VALOX, White	Gold	21.21 .835	5227820-1



(Top View)

**Recommended PC Board Layout**

VALOX is a trademark of General Electric Company.

**Note:** Part Numbers are RoHS compliant except: ♦ Indicates non-RoHS compliant.

**TNC Connectors, 50 Ohm (Continued)**

**Right-Angle PC Board/  
Mount Jacks**

**Plating**

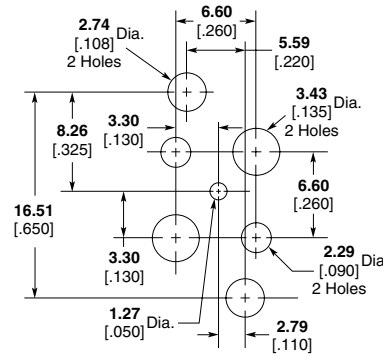
**Body** — Nickel

**Center Contact** — Gold

**Dielectric** — PTFE



**Part No. 5413933-1**



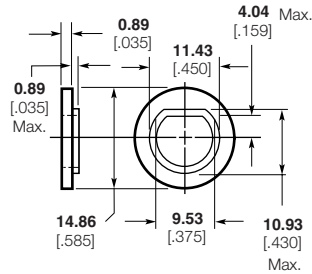
**Recommended PC Board Cutout**

**Bulkhead Solder Jacks**

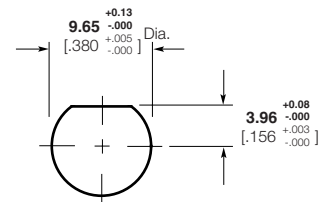
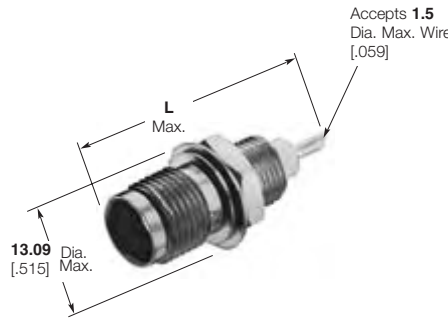
**Insulation Bushing**

**Material** — Nylon

**Part No. 227223-1**



**Recommended Panel Cutout  
(Bushing)**



**Recommended  
Panel Cutout  
(Jack)**

Panel Thickness Refer to chart below.

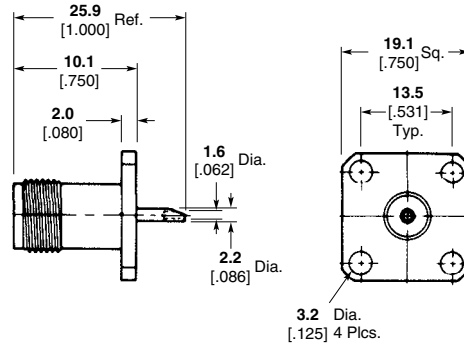
Body Plating	Center Contact Plating	Dielectric	Dim. L	Panel Thickness	Part Number
Nickel	Gold	VALOX	33.33 1.312	1.17-6.35 .046-.250	5227764-2

VALOX is a trademark of General Electric Company.

**Note:** Part Numbers are RoHS compliant except: ♦ Indicates non-RoHS compliant.

**TNC Connectors, 50 Ohm (Continued)**

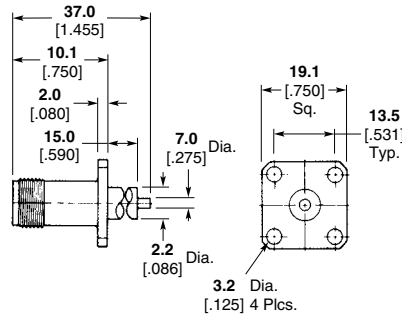
**Panel Mount Jack Receptacles**



Shell	Part No.
Nickel Plated Brass	1057775-1 <sup>1</sup>

<sup>1</sup>Captured Center Contact

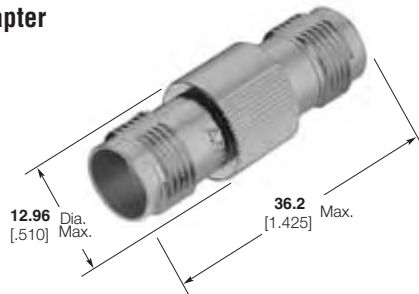
**Flange Mount Receptacles**



Shell	Part No.
Nickel Plated Brass	1057780-11

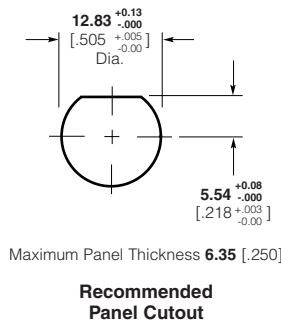
<sup>1</sup>Captured Center Contact

**Jack-Jack Adapter**



Center Contact Plating	Body Plating	Dielectric	Part No.
Gold	Nickel	Polypropylene	5221325-1

**Bulkhead Jack-Jack Adapter**



Center Contact Plating	Body Plating	Dielectric	Part No.
Gold	Nickel	Acetal	221500-1

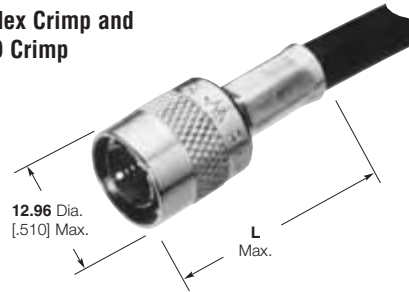
**Note:** Part Numbers are RoHS compliant except: ♦ Indicates non-RoHS compliant.

**TNC Connectors, 75 Ohm**

**Plugs, Crimp**

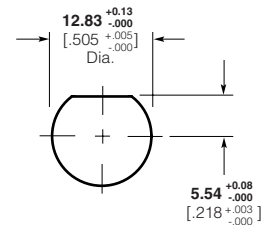
These connectors have been designed for optimum performance and have a true 75 ohm impedance the complete length of the connector. The crimp die tooling listed below is different from the equivalent 50 ohm connectors.

**Hex Crimp and O Crimp**



RG/U Cable	Termination Type	Center Contact Plating	Body Plating	Dielectric	Style	Dim. L	Interchangeable Dies for PRO-CRIMPER Hand Tool 354940-1 or PRO-CRIMPER Adapter 679304-1	Part No.
179, 179A, 179B, 187, 187A, BELDEN 9221	O Crimp	Gold	Nickel	Polymethyl-pentene	Commercial	27.79 1.094	318451-2	5221506-3
AT&T 735A	O Crimp	Gold	Nickel	Polymethyl-pentene	Commercial	29.46 1.160	58174-1	5221506-5
302 BELDEN 88241 89269 Hi-Temp 62A Times PL62, BERK-TEK BTDC-59, BTDC-62	Hex Crimp	Gold	Nickel	Polymethyl-pentene	Commercial	31.75 1.250	58425-1	5413591-1
BELDEN 8281 9141, 9231	O Crimp	Gold	Nickel	Polymethyl-pentene	Commercial	32.9 1.295	58538-1	5221506-2

**Bulkhead Jack, Crimp**



Maximum Panel Thickness 6.35 [.250]

**Recommended Panel Cutout**

RG/U Cable	Termination Type	Center Contact Plating	Body Plating	Dielectric	Style	Dim. H	Tooling	Part No.
210, 62, 62A, 62B, 59, 59A, 59B, BELDEN 9291, 9209, 9169, 89269	O Crimp	Gold	Nickel	Polymethyl-pentene	Commercial	11/16 across flats, 20.32 .800 max. across points	Use Hand Tool 354940-1 with Die Set 58536-1	221509-1

AT&T is a trademark of AT&T Corporation.

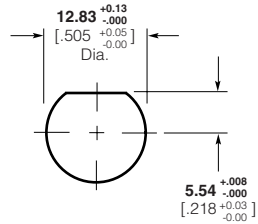
BELDEN is a trademark of Belden Wire and Cable Company.

BERK-TEK is a trademark of Nexans, Inc.

**Note:** Part Numbers are RoHS compliant except: ♦ Indicates non-RoHS compliant.

**TNC Connectors, 75 Ohm (Continued)**

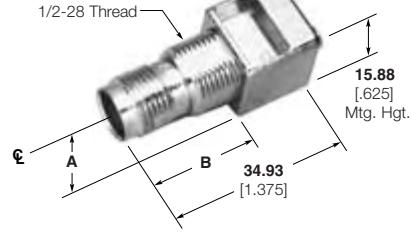
**Right-Angle PC Board/  
Panel Mount Jacks**



Maximum Panel Thickness **6.1** [.240]

**Recommended  
Panel Cutout**

**Metal Body**



Body Material	Ω	Center Contact Plating	Dimensions		Part Numbers	
			A	B	Without Mounting Posts	With Mounting Posts
Metal	75	Gold	8.26 .325	20.83 .820	—	5413506-1

**Bulkhead Jack-Jack  
Adapter**



Center Contact Plating	Body Plating	Dielectric	Part No.
Gold	Nickel	Polymethylpentene	414396-1

**Note:** Part Numbers are RoHS compliant except: ♦ Indicates non-RoHS compliant.