

521212-1 ☑ SUPERSEDED

Ultra-Pod | Ultra-Pod 187

TE Internal #: 521212-1

TE Internal Description: ULTRA-POD 187 ASSY REC 18-14 AWG

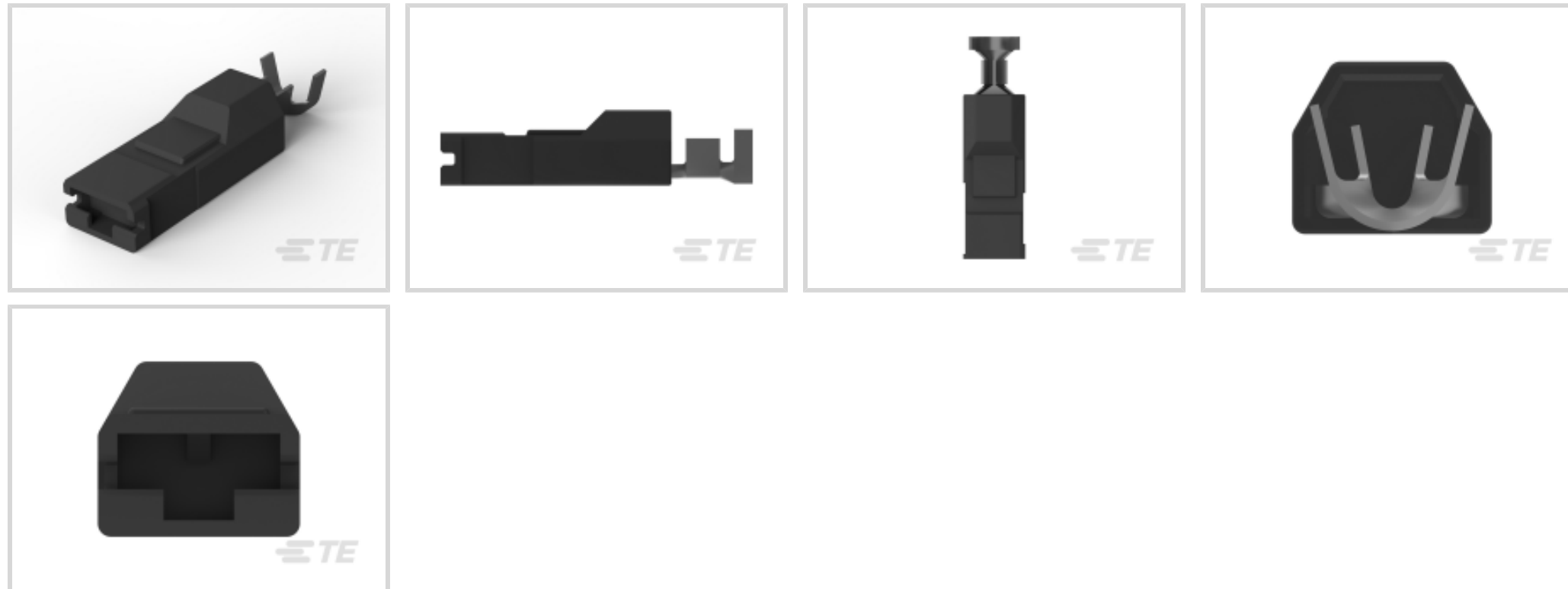
TPBR

ULTRA POD: Straight, Receptacle Assembly, Tin Plated, .187 inch

[View on TE.com >](#)



Terminals & Splices > Quick Disconnects > ULTRA POD: Straight, Receptacle Assembly, Tin Plated, .187 inch



Quick Disconnect Terminal Type: **Receptacle**

Wire Size: .82 – 2.08 mm<sup>2</sup>

Mating Tab Width: 4.75 mm [.187 in]

Mating Tab Thickness: .51 mm [.02 in]

[All ULTRA POD: Straight, Receptacle Assembly, Tin Plated, .187 inch \(9\)](#)

## Features

### Product Type Features

Insertion Force	Low
-----------------	-----

### Configuration Features

Compatible With Wire & Cable Type	Discrete Wire
Connection Capacity	Single

### Electrical Characteristics

Voltage Rating	600 V
----------------	-------

### Body Features

Insulation Material	Nylon
---------------------	-------

### Contact Features

Quick Disconnect Terminal Type	Receptacle
Mating Tab Width	4.75 mm [.187 in]
Mating Tab Thickness	.51 mm [.02 in]
Terminal Orientation	Straight

Contact Base Material	Brass
Terminal Plating Material	Tin
Crimp Type	F-Crimp
Barrel Type	Open

### Termination Features

Product Terminates To	Wire & Cable
-----------------------	--------------

### Mechanical Attachment

Wire Insulation Support	With
-------------------------	------

### Dimensions

Product Length	28.37 mm[1.117 in]
Compatible Insulation Diameter Range	2.79 – 4.57 mm[.11 – .18 in]
Terminal Material Thickness	.36 mm[.014 in]
Wire Size	.82 – 2.08 mm <sup>2</sup>

### Usage Conditions

Insulation Option	Fully Insulated
-------------------	-----------------

### Industry Standards

Compatible With Agency/Standards Products	CSA, UL
UL Flammability Rating	UL 94V-0

### Packaging Features

Packaging Quantity	2000
Packaging Method	Strip/Reel

### Other

Barrel Color	Black
--------------	-------

### Product Compliance

[For compliance documentation, visit the product page on TE.com>](#)

EU RoHS Directive 2011/65/EU	Compliant
EU ELV Directive 2000/53/EC	Compliant
China RoHS 2 Directive MIIT Order No 32, 2016	No Restricted Materials Above Threshold
EU REACH Regulation (EC) No. 1907/2006	Current ECHA Candidate List: JAN 2025 (247) Candidate List Declared Against: JUNE 2022 (224)



Does not contain REACH SVHC

Halogen Content

Low Halogen - Br, Cl, F, I < 900 ppm per homogenous material. Also BFR/CFR/PVC Free

Solder Process Capability

Not applicable for solder process capability

Product Compliance Disclaimer

This information is provided based on reasonable inquiry of our suppliers and represents our current actual knowledge based on the information they provided. This information is subject to change. The part numbers that TE has identified as EU RoHS compliant have a maximum concentration of 0.1% by weight in homogenous materials for lead, hexavalent chromium, mercury, PBB, PBDE, DBP, BBP, DEHP, DIBP, and 0.01% for cadmium, or qualify for an exemption to these limits as defined in the Annexes of Directive 2011/65/EU (RoHS2). Finished electrical and electronic equipment products will be CE marked as required by Directive 2011/65/EU. Components may not be CE marked. Additionally, the part numbers that TE has identified as EU ELV compliant have a maximum concentration of 0.1% by weight in homogenous materials for lead, hexavalent chromium, and mercury, and 0.01% for cadmium, or qualify for an exemption to these limits as defined in the Annexes of Directive 2000/53/EC (ELV). Regarding the REACH Regulation, the information TE provides on SVHC in articles for this part number is based on the latest European Chemicals Agency (ECHA) 'Guidance on requirements for substances in articles' posted at this URL: <https://echa.europa.eu/guidance-documents/guidance-on-reach>

Also in the Series | **Ultra-Pod 187**

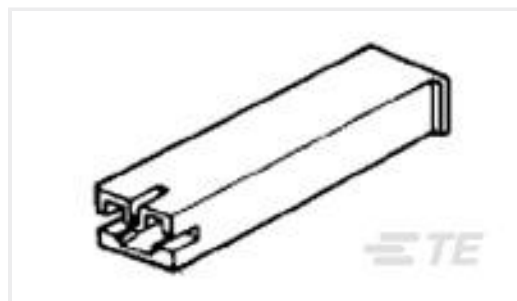


Quick Disconnects(22)

Customers Also Bought



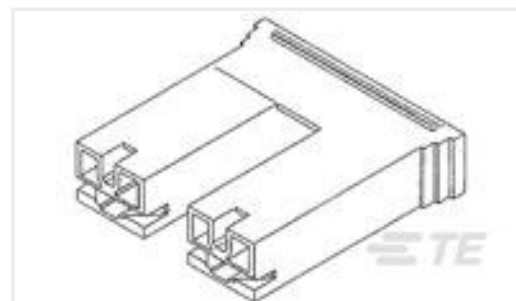
TE Part #63195-1  
PL 187 RECEPTACLE 20-16 AWG TPBR



TE Part #1-173974-1  
PL 187 HOUSING RECEPTACLE NATURAL



TE Part #5-177901-1  
POWER DBL LOCK PLUG HSG 6P (GWT)



TE Part #520935-2  
PL & STANDARD FASTON 250 HSG REC RED NYL



## Documents

### Product Drawings

[ULTRA-POD 187 ASSY REC 18-14 AWG TPBR](#)

English

### CAD Files

Customer View Model

[ENG\\_CVM\\_CVM\\_521212-1\\_E.2d\\_dxf.zip](#)

English

3D PDF

3D

Customer View Model

[ENG\\_CVM\\_CVM\\_521212-1\\_E.3d\\_igs.zip](#)

English

Customer View Model

[ENG\\_CVM\\_CVM\\_521212-1\\_E.3d\\_stp.zip](#)

English

By downloading the CAD file I accept and agree to the [Terms and Conditions](#) of use.

### Product Specifications

[Application Specification](#)

English

[Application Specification](#)

English

### Agency Approvals

[Agency Approval Document](#)

English

