

THIS DRAWING IS UNPUBLISHED.

RELEASED FOR PUBLICATION

20

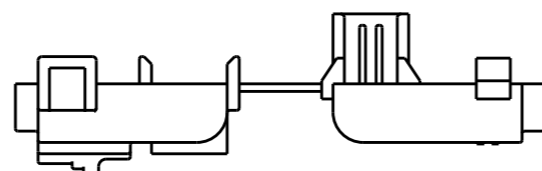
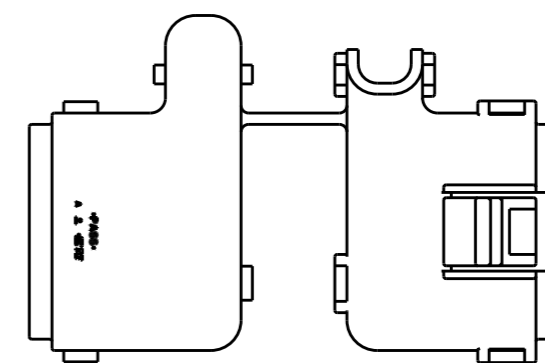
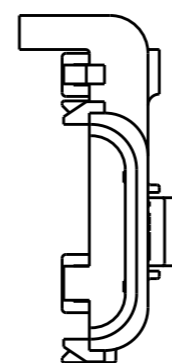
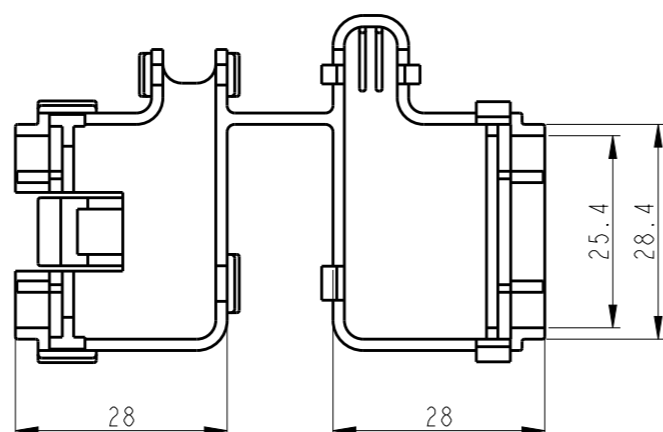
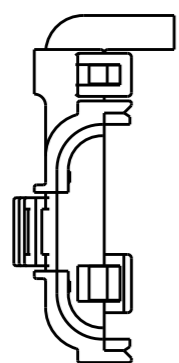
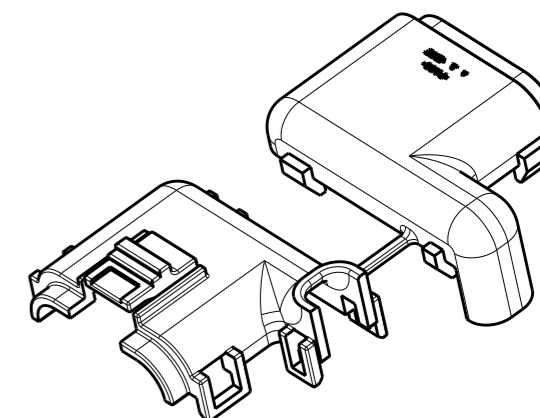
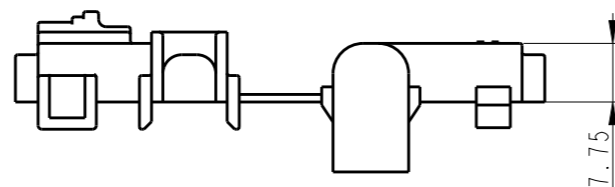
© COPYRIGHT 20 BY -

ALL RIGHTS RESERVED.

REVISIONS

P	LTR	DESCRIPTION	DATE	DWN	APVD
A1		REVISED(ECR-15-014757)	15. JUL. '15	JM	HG
A2		REVISED(ECR-17-018463)	27. SEP. '17	JS	YJ
A3		REVISED(ECR-19-005002)	22. APR. '19	SK	YJ
A4		REVISED(ECR-19-010338)	22. APR. '19	SK	YJ

<2109570-X>
TYPE A



A3	9	BLACK	PBT	WIRE COVER TYPE F	5-2109570-2
A2	8	BLACK	PA66	WIRE COVER TYPE E	4-2109570-2
A2	7	BLACK	PA66	WIRE COVER TYPE D	3-2109570-2
	6	GRAY	PA66	WIRE COVER TYPE C	2-2109570-3
	5	BLACK	PA66	WIRE COVER TYPE C	2-2109570-2
	4	GRAY	PA66	WIRE COVER TYPE B	1-2109570-3
	3	BLACK	PA66	WIRE COVER TYPE B	1-2109570-2
	2	GRAY	PA66	WIRE COVER TYPE A	2109570-3
	1	BLACK	PA66	WIRE COVER TYPE A	2109570-2
NO.	COLOR	MATERIAL	DESCRIPTION	P/N	

NOTES.

- GENERAL TOLERANCE : ± 0.3 , $\pm 3^\circ$
- APPLICABLE MATING PART NO : 2005375

THIS DRAWING IS A CONTROLLED DOCUMENT.

DIMENSIONS:	TOLERANCES UNLESS OTHERWISE SPECIFIED:
mm	
	0 PLC \pm
	1 PLC \pm
	2 PLC \pm
	3 PLC \pm
	4 PLC \pm
	ANGLES \pm
MATERIAL	FINISH
SEE TABLE	-

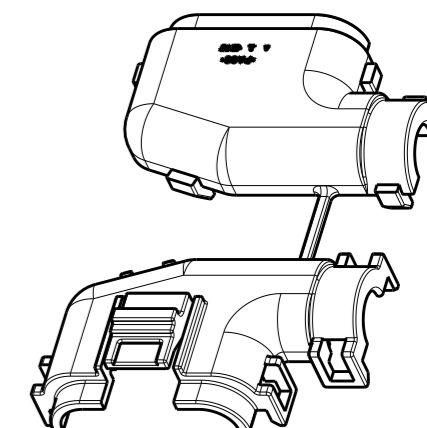
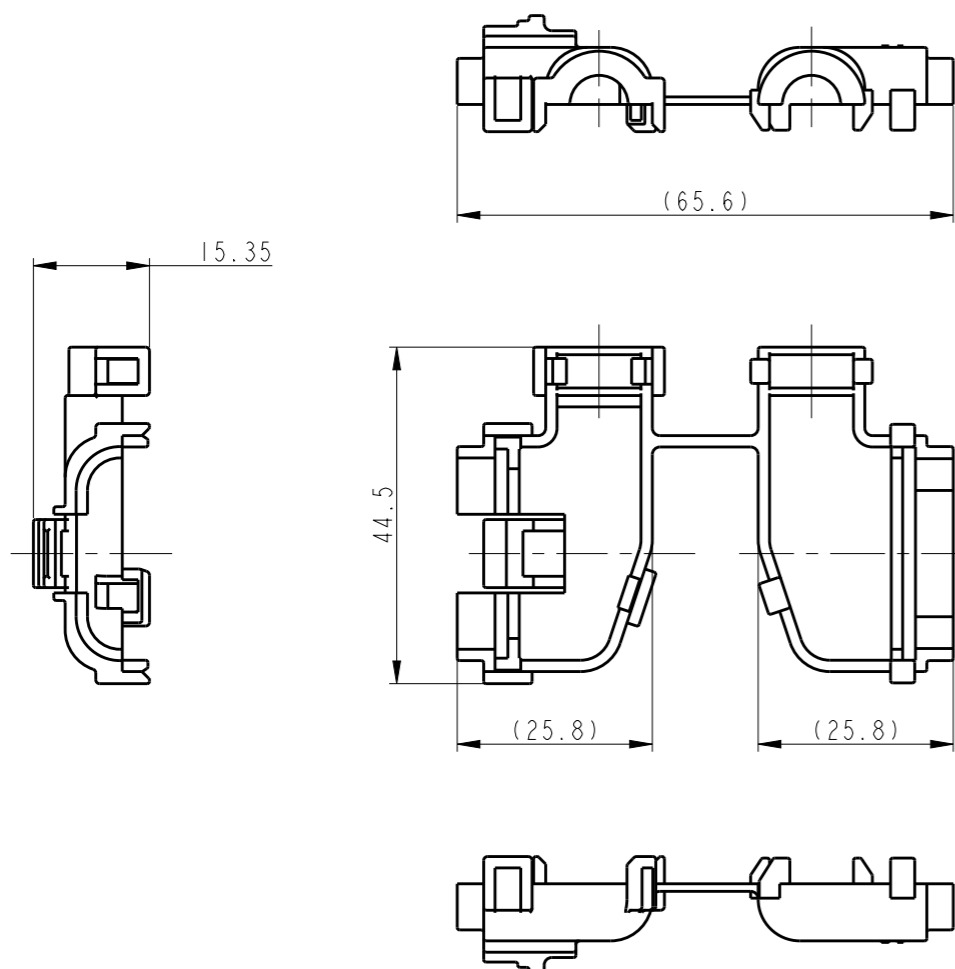
DWN	JM JEON
CHK	JW JUNG
APVD	HG CHO
PRODUCT SPEC	-
APPLICATION SPEC	-
WEIGHT	-
CUSTOMER DRAWING	

STE TE Connectivity			
NAME COVER HSG FOR A/F SNSR 5P			
SIZE	CAGE CODE	DRAWING NO	RESTRICTED TO
A3	-	C-2109570	
SCALE		SHEET	REV
1:1		1 OF 4	A4

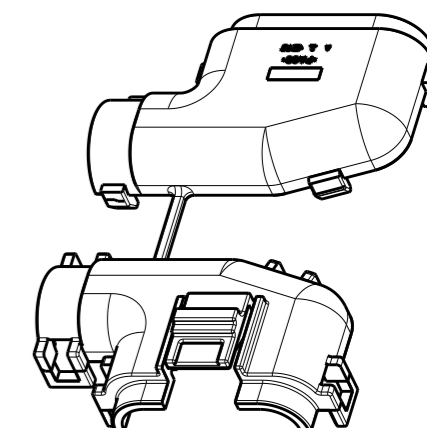
REVISIONS

P	LTR	DESCRIPTION	DATE	DWN	APVD
		SEE SHEET 1			

Ⓐ <1,2-2109570-X>
TYPE B,C



1-2109570-X



Ⓐ 2-2109570-X

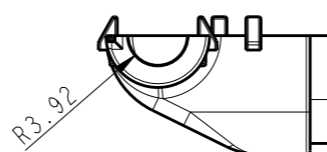
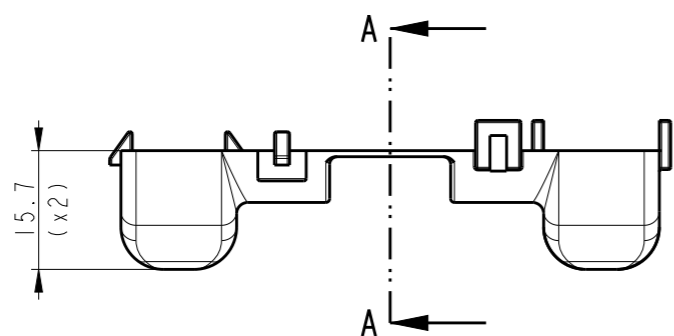
TYPE B 1-2109570-X	TYPE C 2-2109570-X Ⓐ

THIS DRAWING IS A CONTROLLED DOCUMENT.		DWN	TE Connectivity														
DIMENSIONS: mm		CHK															
TOLERANCES UNLESS OTHERWISE SPECIFIED:		APVD	NAME COVER HSG FOR A/F SNSR 5P														
0 PLC ±		<table border="1"> <tr> <td>SIZE</td> <td>CAGE CODE</td> <td>DRAWING NO</td> <td>RESTRICTED TO</td> </tr> <tr> <td>A3</td> <td>-</td> <td>Ⓒ-2109570</td> <td></td> </tr> <tr> <td colspan="2">SCALE 1:1</td> <td>SHEET 2 OF 4</td> <td>REV A4</td> </tr> </table>				SIZE	CAGE CODE	DRAWING NO	RESTRICTED TO	A3	-	Ⓒ-2109570		SCALE 1:1		SHEET 2 OF 4	REV A4
SIZE	CAGE CODE					DRAWING NO	RESTRICTED TO										
A3	-					Ⓒ-2109570											
SCALE 1:1						SHEET 2 OF 4	REV A4										
1 PLC ±																	
2 PLC ±																	
3 PLC ±																	
4 PLC ±																	
ANGLES ±		PRODUCT SPEC	-														
MATERIAL		APPLICATION SPEC	-														
FINISH		WEIGHT	-														
SHEET 1		CUSTOMER DRAWING															

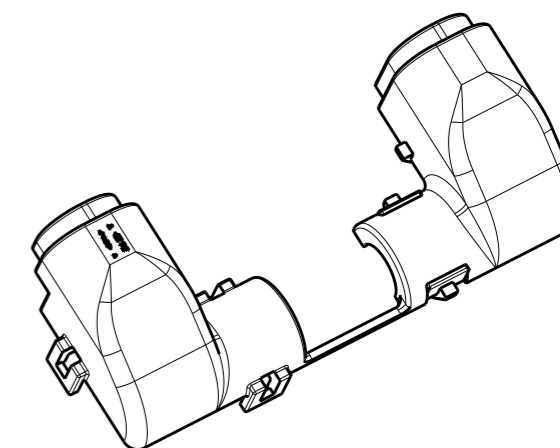
REVISIONS

P	LTR	DESCRIPTION	DATE	DWN	APVD
		SEE SHEET 1			

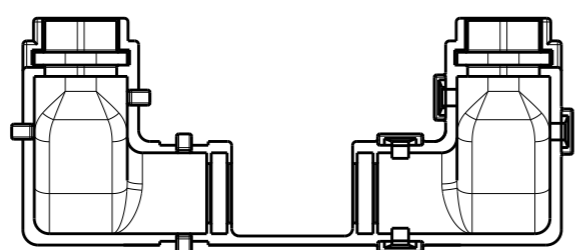
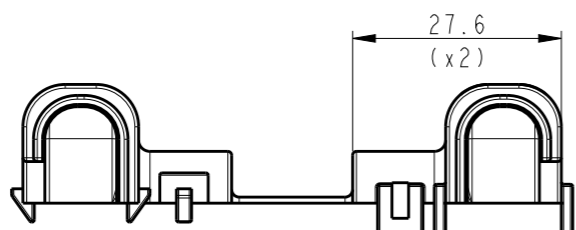
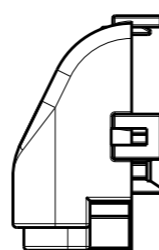
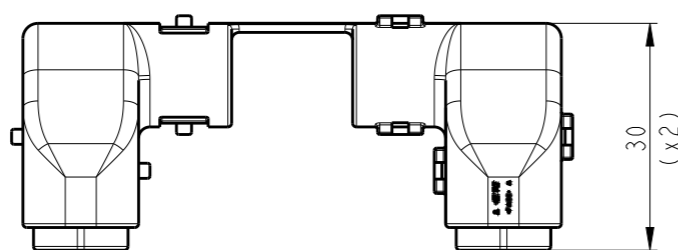
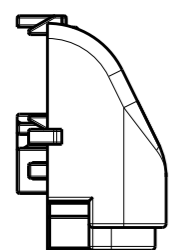
A2 <3,4-2109570-X>
TYPE D,E



SECTION A-A



3D VIEW



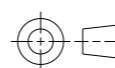
TYPE D 3-2109570-X	TYPE E 4-2109570-X

NOTE

1. GENERAL TOLERANCE : ± 0.3 , $\pm 3^\circ$
2. THE MATING PLUG ASS'Y P/N : 2005375-2
3. APPLICABLE CORRUGATE TUBE : $\varnothing 7.0$

THIS DRAWING IS A CONTROLLED DOCUMENT.

DIMENSIONS:
mm



TOLERANCES UNLESS OTHERWISE SPECIFIED:

0 PLC	\pm
1 PLC	\pm
2 PLC	\pm
3 PLC	\pm
4 PLC	\pm
ANGLES	\pm

MATERIAL

FINISH

SHEET 1

DWN

CHK

APVD

PRODUCT SPEC

APPLICATION SPEC

WEIGHT

CUSTOMER DRAWING

SEE SHEET 1 OF 3



TE Connectivity

NAME

COVER HSG FOR A/F SNSR 5P

SIZE

A3

CAGE CODE

-

DRAWING NO

C-2109570

RESTRICTED TO

SCALE 1:1

SHEET 3 OF 4

REV A4

THIS DRAWING IS UNPUBLISHED.

RELEASED FOR PUBLICATION

20

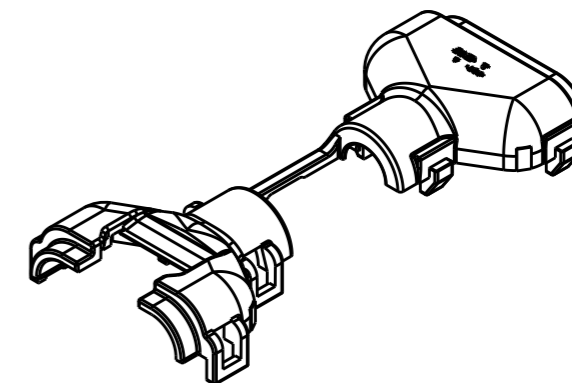
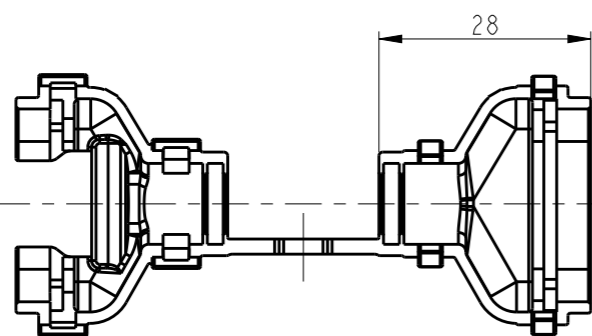
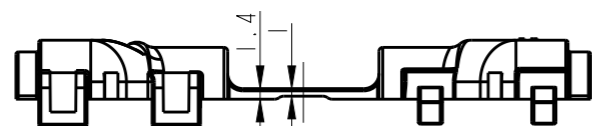
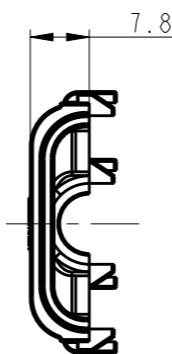
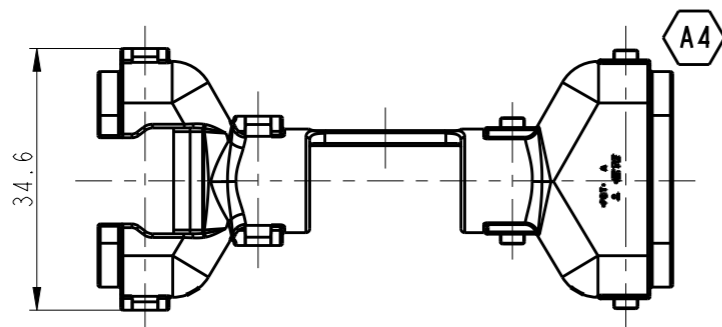
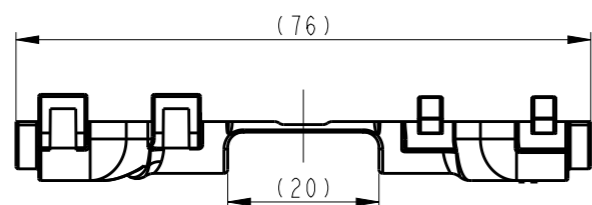
© COPYRIGHT 20 BY -

ALL RIGHTS RESERVED.

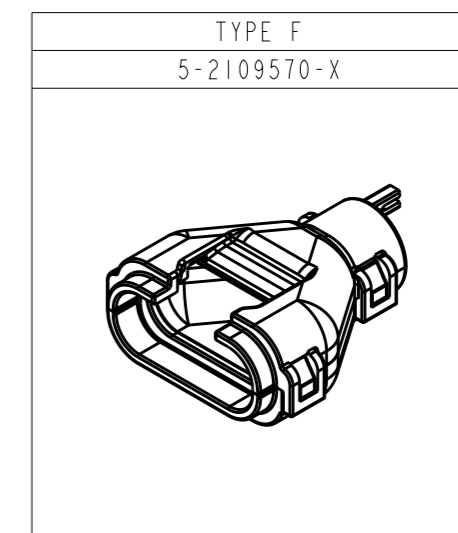
REVISIONS

P	LTR	DESCRIPTION	DATE	DWN	APVD
		SEE SHEET 1			

A3 <5-2109570-X>
TYPE F



3D VIEW



NOTE

1. GENERAL TOLERANCE : ± 0.3 , $\pm 3^\circ$
2. THE MATING PLUG ASS'Y P/N : 2005375-2
3. APPLICABLE CORRUGATE TUBE : $\varnothing 7.0$

THIS DRAWING IS A CONTROLLED DOCUMENT.		DWN	TE Connectivity		
DIMENSIONS: mm		CHK			
		TOLERANCES UNLESS OTHERWISE SPECIFIED:		NAME COVER HSG FOR A/F SNSR 5P	
0 PLC \pm		SEE SHEET 1 OF 3		PRODUCT SPEC	
1 PLC \pm				-	
2 PLC \pm				APPLICATION SPEC	
3 PLC \pm				-	
4 PLC \pm				WEIGHT	
ANGLES \pm		FINISH		SIZE A3	
MATERIAL		-		CAGE CODE -	
SHEET 1		CUSTOMER DRAWING		DRAWING NO C-2109570	
				RESTRICTED TO	
				SCALE 1:1	
				SHEET 4 OF 4	
				REV A4	