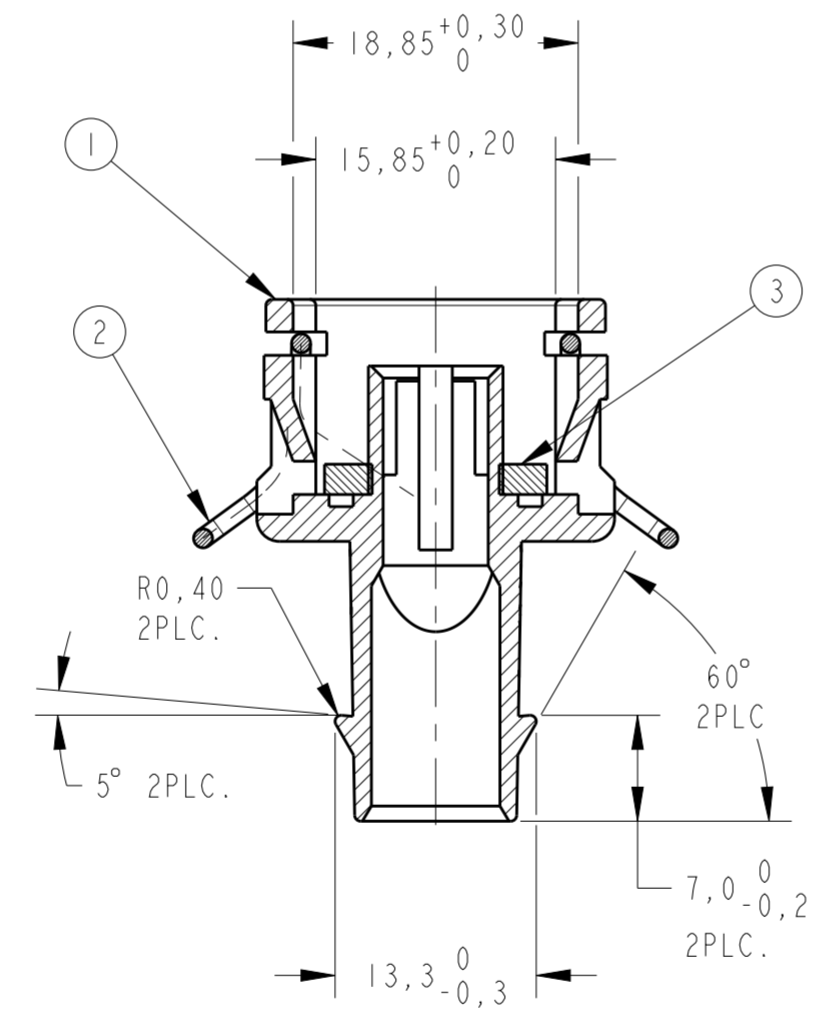
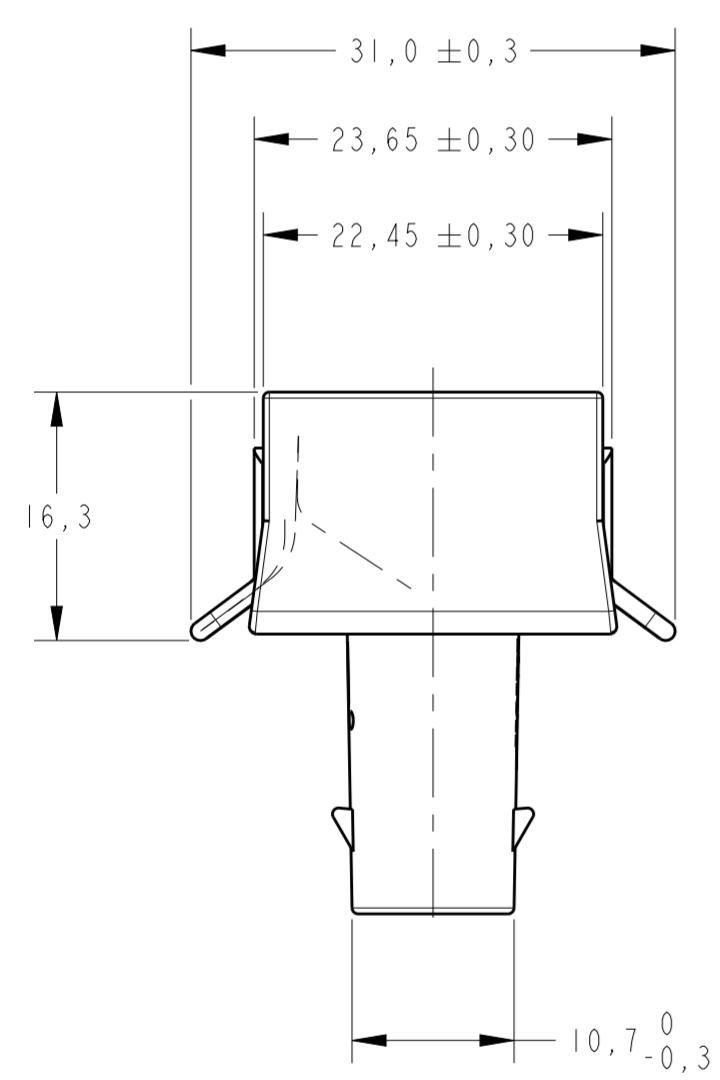
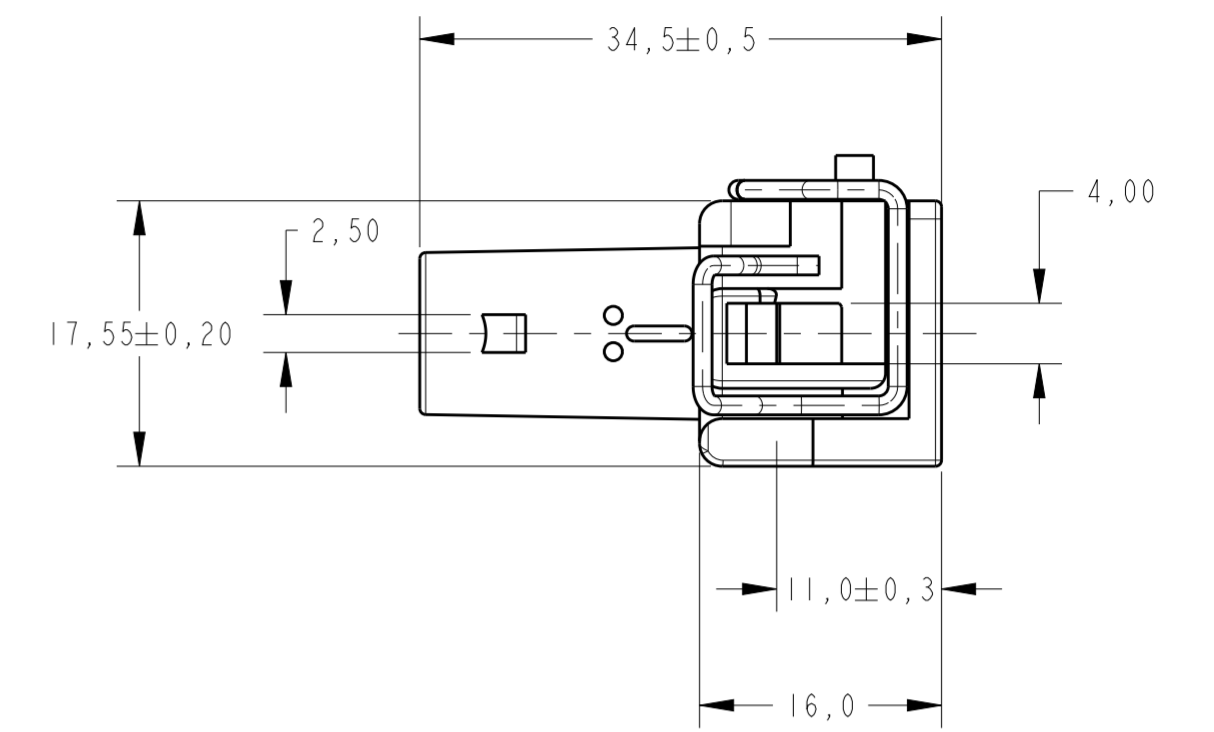
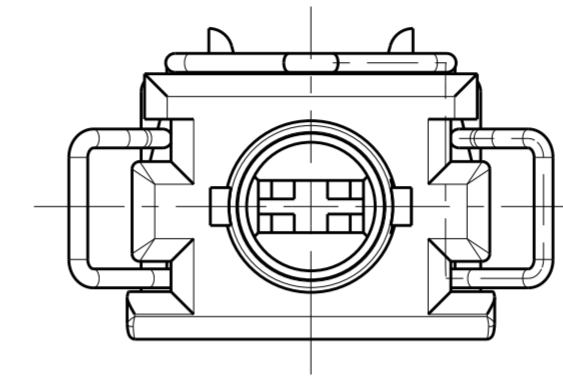
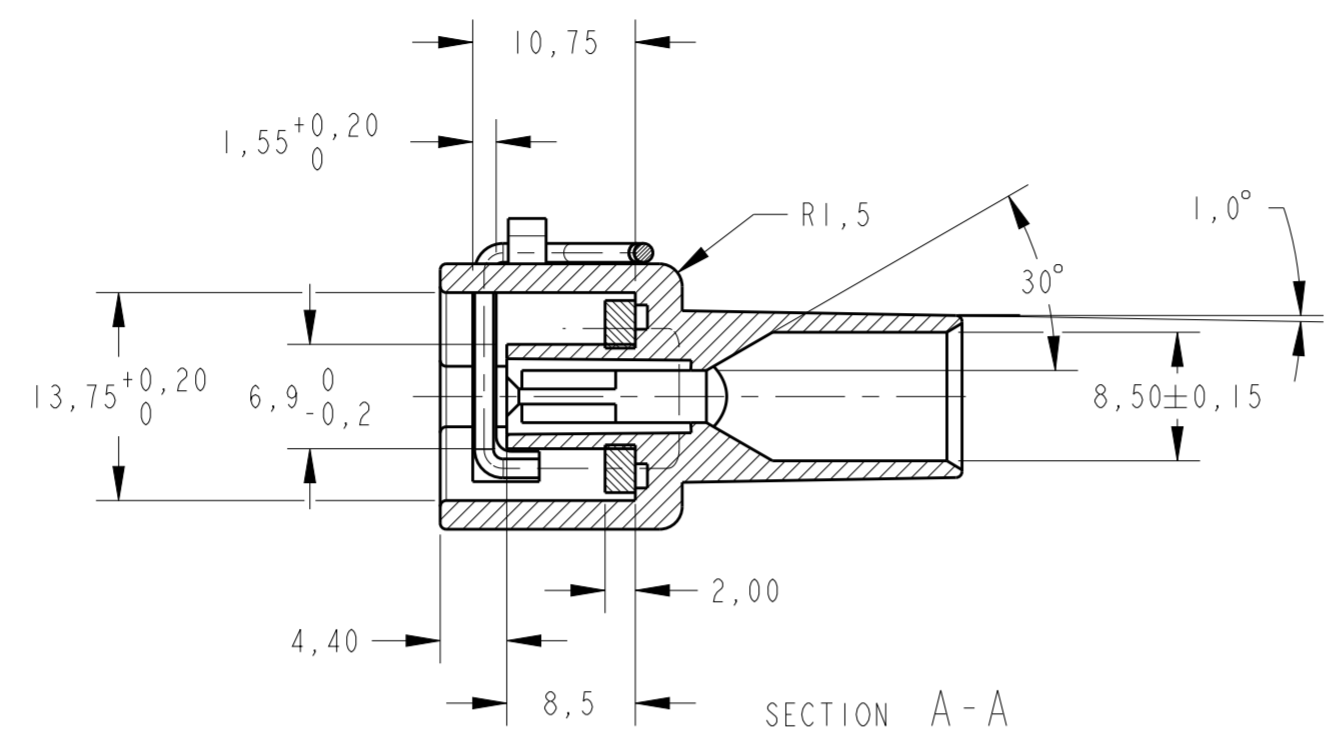
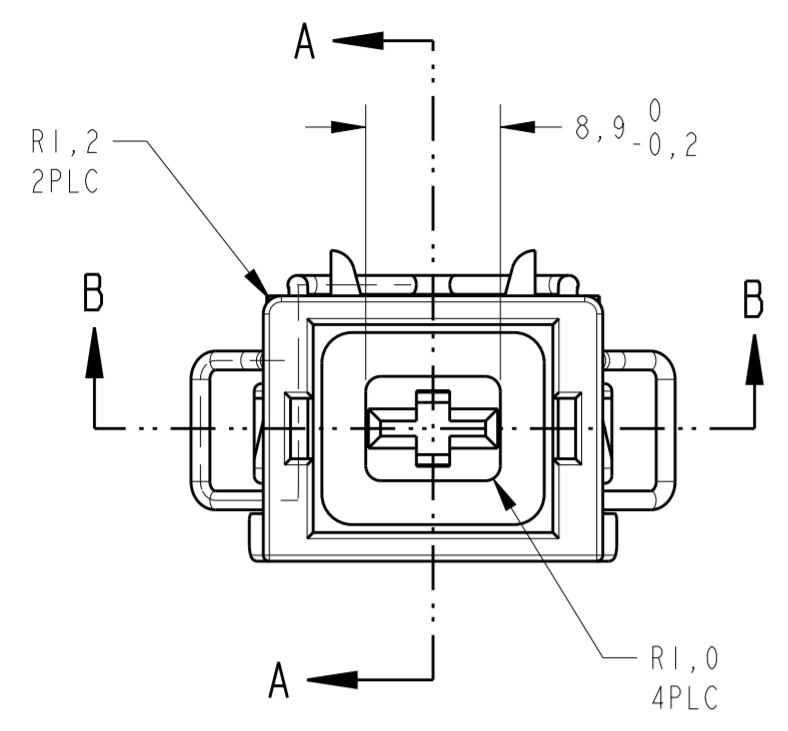


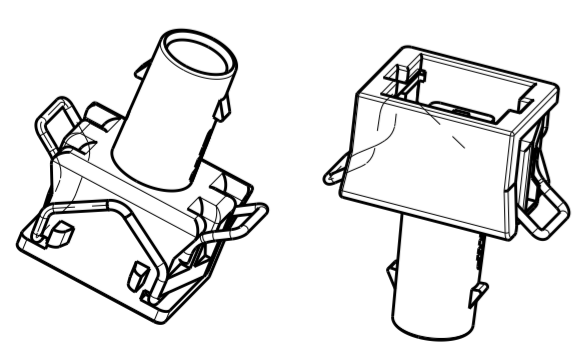
THIS DRAWING IS UNPUBLISHED. RELEASED FOR PUBLICATION 20
 © COPYRIGHT 20 BY - ALL RIGHTS RESERVED.

creo
 Creo Parametric 2.0
 DO NOT REVISE
 EXCEPT BY CAD

REVISIONS				
P	LTR	DESCRIPTION	DATE	APVD
	A	RSA-14-086-01	23DEC2014	NCL NMS



GRAVAÇÃO MARKING	
LOGOTIPO AMP	AMP LOGO
CÓDIGO PAÍS PRODUTOR	MANUFACTURER COUNTRY CODE
NÚMERO COMPONENTE TE	TE COMPONENT NUMBER
PAÍS PRODUTOR	MANUFACTURER COUNTRY
NOMENCLATURA MATERIAL	MATERIAL NOMENCLATURE
NÚMERO CAVIDADE	CAVITY NUMBER
LOGOTIPO CLIENTE	TE LOGO
NÚMERO CLIENTE	CUSTOMER P.N.



PERSPECTIVE VIEW
 SCALE 1:1

REQ. PER ASSY	ITEM	DESCRIPTION	MATERIAL	FINISH
1	3	CONNECTOR SEAL	SILICONE	NATURAL
1	2	SPRING	AÇO INOXIDÁVEL / SST	-
1	1	HSG., IPOSN., STD POWER TIMER	PA 6.6 + 25% FV/GF	PRETO /BLACK

THIS DRAWING IS A CONTROLLED DOCUMENT.

DIMENSIONS: mm

TOLERANCES UNLESS OTHERWISE SPECIFIED:

0 PLC	±	
1 PLC	±0,2	
2 PLC	±0,1	
3 PLC	±	
4 PLC	±	
ANGLES	±2°	
FINISH	-	

MATERIAL: SEE TABLE

Customer Drawing

DWN: NCLAPRESA 23 JUL 2014
 CHK: JRGOLDSCHMIDT 23 JUL 2014
 APVD: NMSANTOS 23 JUL 2014

NAME: -
 PRODUCT SPEC: -
 APPLICATION SPEC: -
 WEIGHT: -

STE TE Connectivity

HOUSING ASSY, IPOSN., STANDARDD POWER TIMER

SIZE: A2 CAGE CODE: - DRAWING NO: C-444520 RESTRICTED TO: -
 SCALE: 2:1 SHEET: 1 OF 1 REV: A