



AMPLIMITE

TE Internal #: 2301843-2

9 Position D-Shaped Connector, Plug, Cable-to-Board, Board Mount, 1 Shell Size, 2.77 mm [.109 in] Centerline, Printed Circuit Board

[View on TE.com >](#)

Connectors > D-Shaped Connectors



Number of Positions: 9

Connector & Housing Type: **Plug**

Connector System: **Cable-to-Board**

Connector Mounting Type: **Board Mount**

Connector Shell Size: 1

Features

Product Type Features

Connector & Housing Type	Plug
Connector System	Cable-to-Board
Connector Shell Size	1
Connector & Contact Terminates To	Printed Circuit Board

Configuration Features

Number of Positions	9
Number of Rows	2
PCB Mount Orientation	Right Angle

Contact Features

Contact Shape & Form	Straight
Contact Current Rating (Max)	2 A
Contact Options	Installed

Termination Features

Termination Method to PCB	Through Hole - Solder
---------------------------	-----------------------

Mechanical Attachment

Connector Mounting Type	Board Mount
PCB Mount Retention	With
PCB Mount Retention Type	Boardlock
Mating Retention	With
Mating Retention Type	4-40 Screwlock

Housing Features

Centerline (Pitch)	2.77 mm [.109 in]
--------------------	-------------------

Dimensions

Row-to-Row Spacing	2.84 mm [.112 in]
--------------------	-------------------

Usage Conditions

Operating Temperature Range	-55 – 105 °C [-67 – 221 °F]
-----------------------------	-----------------------------

Product Compliance

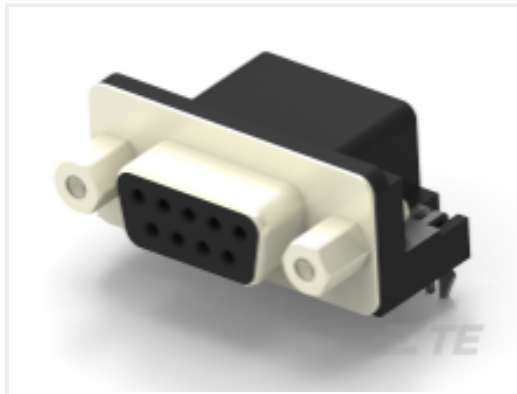
[For compliance documentation, visit the product page on TE.com>](#)

EU RoHS Directive 2011/65/EU	Compliant
EU ELV Directive 2000/53/EC	Compliant
China RoHS 2 Directive MIIT Order No 32, 2016	No Restricted Materials Above Threshold
EU REACH Regulation (EC) No. 1907/2006	Current ECHA Candidate List: JAN 2025 (247) Candidate List Declared Against: JAN 2025 (247) Does not contain REACH SVHC
Halogen Content	Not Low Halogen - contains Br or Cl > 900 ppm.
Solder Process Capability	Wave solder capable to 265°C

Product Compliance Disclaimer

This information is provided based on reasonable inquiry of our suppliers and represents our current actual knowledge based on the information they provided. This information is subject to change. The part numbers that TE has identified as EU RoHS compliant have a maximum concentration of 0.1% by weight in homogenous materials for lead, hexavalent chromium, mercury, PBB, PBDE, DBP, BBP, DEHP, DIBP, and 0.01% for cadmium, or qualify for an exemption to these limits as defined in the Annexes of Directive 2011/65/EU (RoHS2). Finished electrical and electronic equipment products will be CE marked as required by Directive 2011/65/EU. Components may not be CE marked. Additionally, the part numbers that TE has identified as EU ELV compliant have a maximum concentration of 0.1% by weight in homogenous materials for lead, hexavalent chromium, and mercury, and 0.01% for cadmium, or qualify for an exemption to these limits as defined in the Annexes of Directive 2000/53/EC (ELV). Regarding the REACH Regulation, the information TE provides on SVHC in articles for this part number is based on the latest European Chemicals Agency (ECHA) 'Guidance on requirements for substances in articles' posted at this URL: <https://echa.europa.eu/guidance-documents/guidance-on-reach>

Compatible Parts



TE Part # 2301844-2
AMPL REC HD20, R/A, 9P, B/L,4-40 S /LOCK

Customers Also Bought



TE Part #2003204-F
HCEM100DUE9P5; PRES; 0...100mbar; 4V; 5V



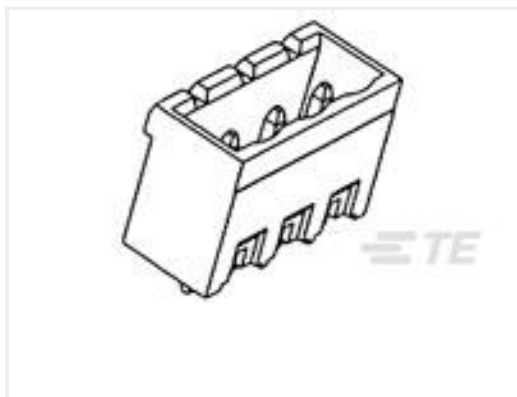
TE Part #816522-SF
RN142-1-02-33M



TE Part #CB7840-000
RW-200-5/8-0-SP



TE Part #4-1415899-5
RZ01-1C3-D024



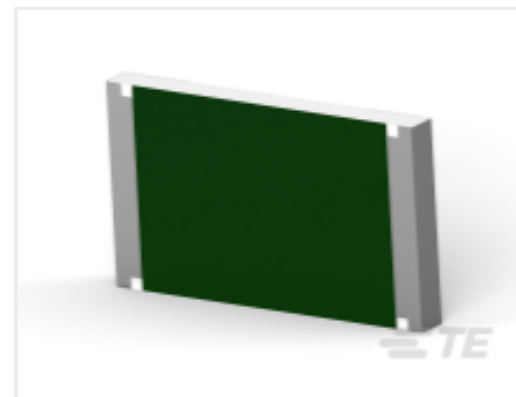
TE Part #1546211-5
TERMI-BLOK HEADER,ASSY1805P. 5



TE Part #6-1624112-7
3650 0603 5.1nH 5% 2K RL



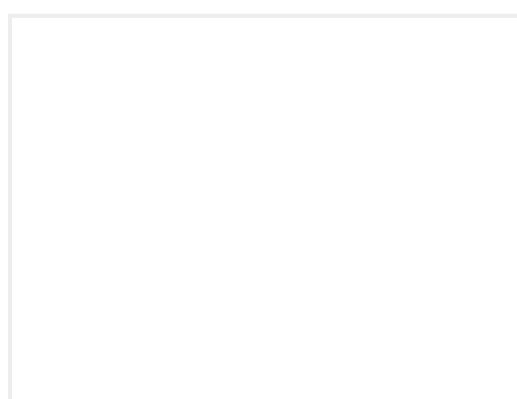
TE Part #7-1879256-7
RP 2B 205R 0.1% 15PPM 1K RL



TE Part #7-2176407-8
3560 3R9 5%



TE Part #2365497-2
EP2.5 single row SMT header,GWT



TE Part #81568-000
VS-X1030-E SILVER PLATED TERMI

Documents

Product Drawings

[AMPL PLUG HD20, R/A, 9P, B/L,4-40 S/LOCK](#)

English

CAD Files

[Customer View Model](#)

[ENG_CVM_CVM_2301843-2_B1.2d_dxf.zip](#)

2301843-2

9 Position D-Shaped Connector, Plug, Cable-to-Board, Board Mount, 1 Shell Size,
2.77 mm [.109 in] Centerline, Printed Circuit Board



English

Customer View Model

[ENG_CVM_CVM_2301843-2_B1.3d_igs.zip](#)

English

3D PDF

3D

Customer View Model

[ENG_CVM_CVM_2301843-2_B1.3d_stp.zip](#)

English

By downloading the CAD file I accept and agree to the [Terms and Conditions](#) of use.

Product Specifications

[Application Specification](#)

English