

2005000-3 ✓ ACTIVE

AMP | FAKRA RF Connector System

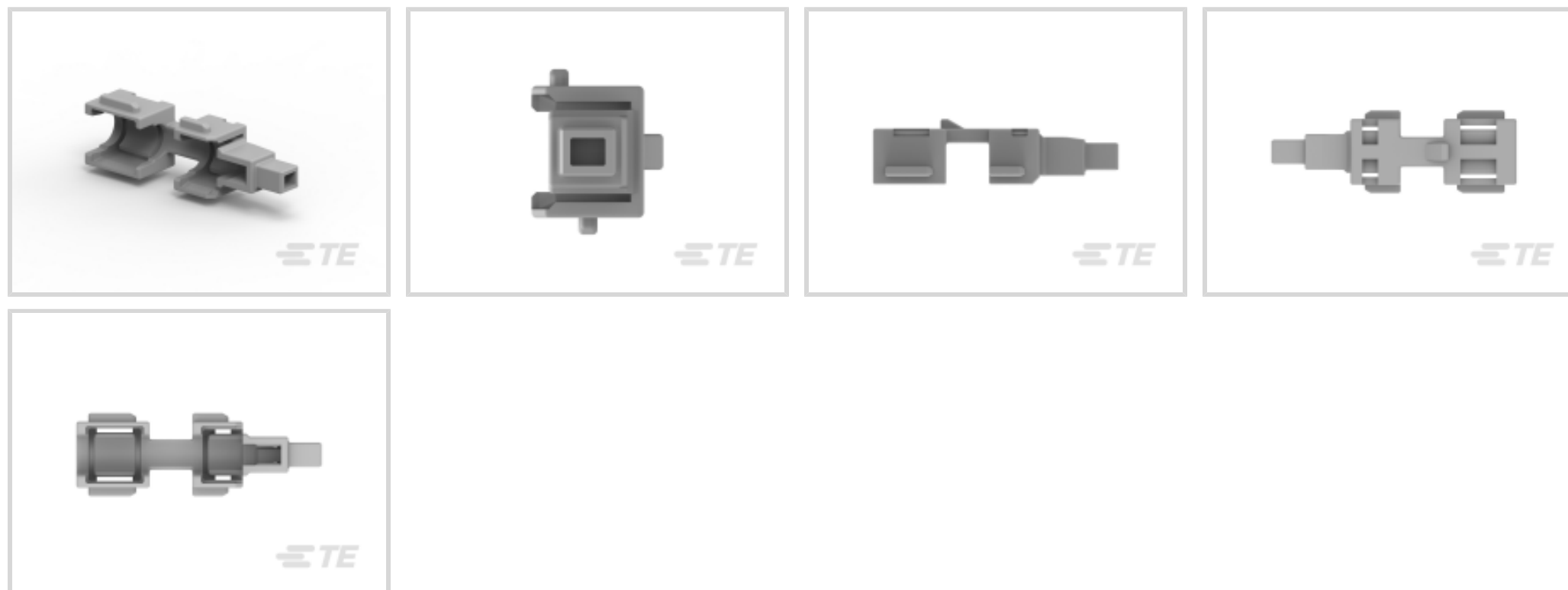
TE Internal #: 2005000-3

Wire-to-Wire, 180° Cable Exit, 1 Position, Shielded, Housing for Female Terminals, Crimp, FAKRA RF Connector System, Data Connectivity Housings

[View on TE.com >](#)



Automotive Parts > Automotive Connectors > Data Connectivity Housings



Connector System: **Wire-to-Wire**

Sealable: **No**

Cable Exit Angle: **180°**

Number of Positions: **1**

Shielded: **Yes**

Features

Product Type Features

Connector & Contact Terminates To	Wire & Cable
Mixed & Hybrid Connector	No
Primary Locking Feature	Locking Lance
Connector System	Wire-to-Wire
Sealable	No
Connector & Housing Type	Housing for Female Terminals

Configuration Features

Snap-Lock	Without
Number of Rows	1
Number of Positions	1

Electrical Characteristics

Operating Voltage	800 VAC
Nominal Voltage Architecture	800 V

Body Features



Body Material	PBT GF
Cable Exit Angle	180°

Contact Features

RF Connector Center Contact Plating Material	Gold (Au)
Contact Mating Area Plating Material	Gold (Au)
Center Contact	With
Contact Type	Socket
Mating Tab Width	.8 mm[.031 in]
Mating Tab Thickness	.25 mm[.01 in]

Termination Features

Termination Method to Wire & Cable	Crimp
------------------------------------	-------

Mechanical Attachment

Connector Mounting Type	Cable Mount (Free-Hanging)
-------------------------	----------------------------

Housing Features

Housing Color	Gray
---------------	------

Usage Conditions

Operating Temperature (Max)	105 °C[221 °F]
Cable Type	Coaxial
Operating Temperature Range	-40 – 105 °C[-40 – 221 °F]

Operation/Application

Operating Frequency Range	0 – 3 GHz
Shielded	Yes
Circuit Application	Signal

Industry Standards

Compatible With Agency/Standards Products	SAE/USCAR-17
---	--------------

Packaging Features

Packaging Quantity	3000
Packaging Method	Bag

Other

Connector Position Assurance Capable	No
Dielectric Material	PBT



Product Compliance

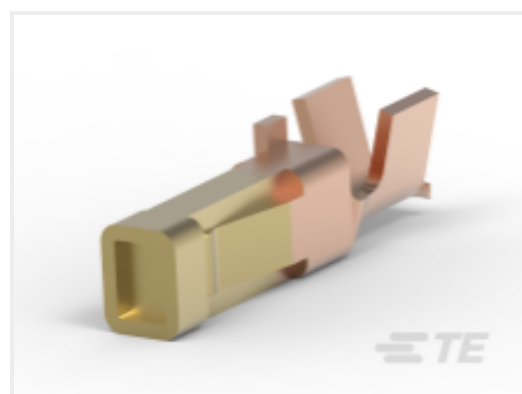
[For compliance documentation, visit the product page on TE.com>](#)

EU RoHS Directive 2011/65/EU	Compliant
EU ELV Directive 2000/53/EC	Compliant
China RoHS 2 Directive MIIT Order No 32, 2016	No Restricted Materials Above Threshold
EU REACH Regulation (EC) No. 1907/2006	Current ECHA Candidate List: JAN 2025 (247) Candidate List Declared Against: JAN 2025 (247) Does not contain REACH SVHC
Halogen Content	Not Low Halogen - contains Br or Cl > 900 ppm.
Solder Process Capability	Not applicable for solder process capability

Product Compliance Disclaimer

This information is provided based on reasonable inquiry of our suppliers and represents our current actual knowledge based on the information they provided. This information is subject to change. The part numbers that TE has identified as EU RoHS compliant have a maximum concentration of 0.1% by weight in homogenous materials for lead, hexavalent chromium, mercury, PBB, PBDE, DBP, BBP, DEHP, DIBP, and 0.01% for cadmium, or qualify for an exemption to these limits as defined in the Annexes of Directive 2011/65/EU (RoHS2). Finished electrical and electronic equipment products will be CE marked as required by Directive 2011/65/EU. Components may not be CE marked. Additionally, the part numbers that TE has identified as EU ELV compliant have a maximum concentration of 0.1% by weight in homogenous materials for lead, hexavalent chromium, and mercury, and 0.01% for cadmium, or qualify for an exemption to these limits as defined in the Annexes of Directive 2000/53/EC (ELV). Regarding the REACH Regulation, the information TE provides on SVHC in articles for this part number is based on the latest European Chemicals Agency (ECHA) 'Guidance on requirements for substances in articles' posted at this URL: <https://echa.europa.eu/guidance-documents/guidance-on-reach>

Compatible Parts



TE Part # 1-2005002-1
REC CONT FOR RF STRIPLINE



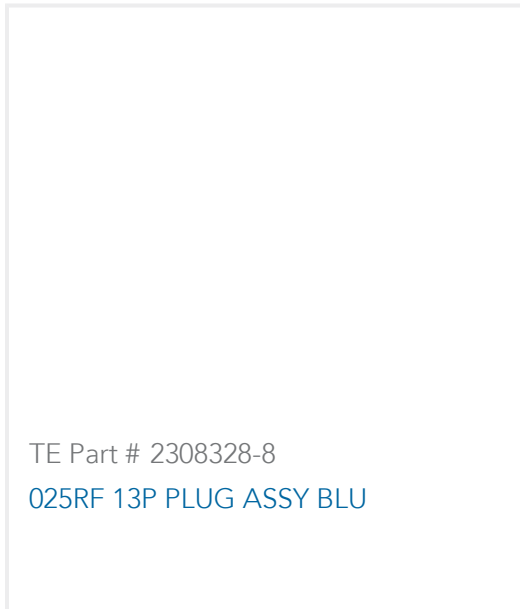
TE Part # 1897797-3
TAB DIELECTRIC-RF STRIPLINE



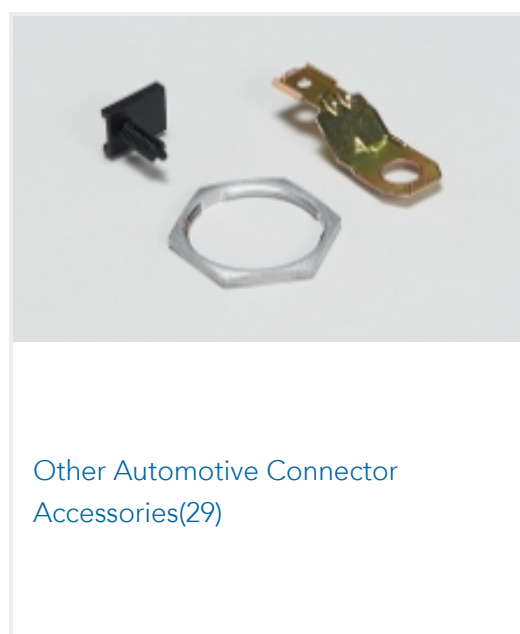
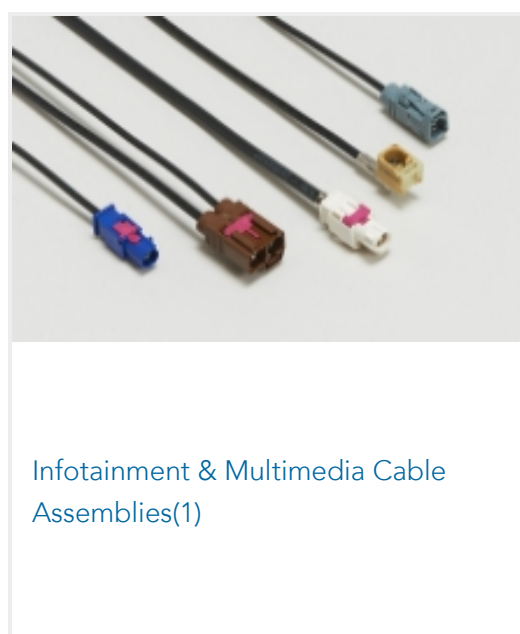
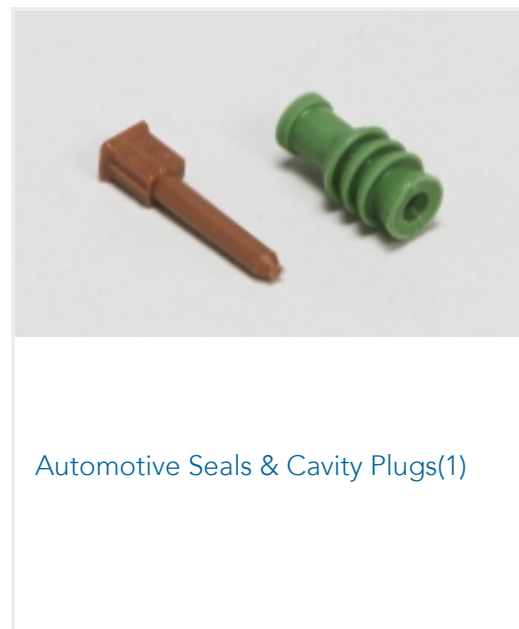
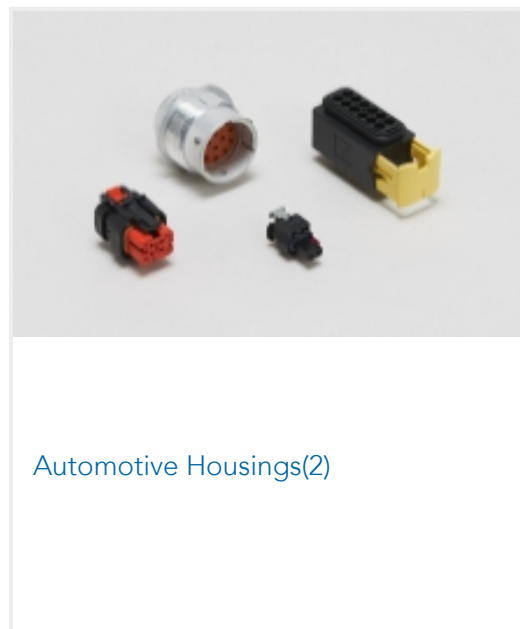
TE Part # 1-2005001-3
REC SHIELD CONT-RF STRIPLINE



TE Part # 2319297-1
025RF 19P PLUG ASSY NAT



Also in the Series | **FAKRA RF Connector System**



Customers Also Bought





Documents

Product Drawings

REC DIELECTRIC-RF STRIPLINE

English

CAD Files

3D PDF

3D

Customer View Model

[ENG_CVM_CVM_2005000-3_C.2d_dxf.zip](#)

English

Customer View Model

[ENG_CVM_CVM_2005000-3_C.3d_igs.zip](#)

English

Customer View Model

[ENG_CVM_CVM_2005000-3_C.3d_stp.zip](#)

English

By downloading the CAD file I accept and agree to the [Terms and Conditions](#) of use.

Product Specifications

RF Strip-Line Wire-To-Wire Connector

English