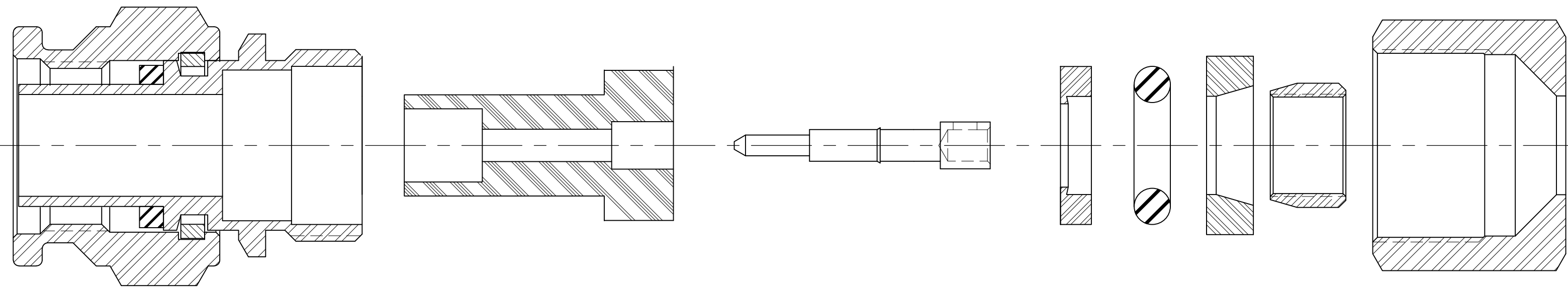


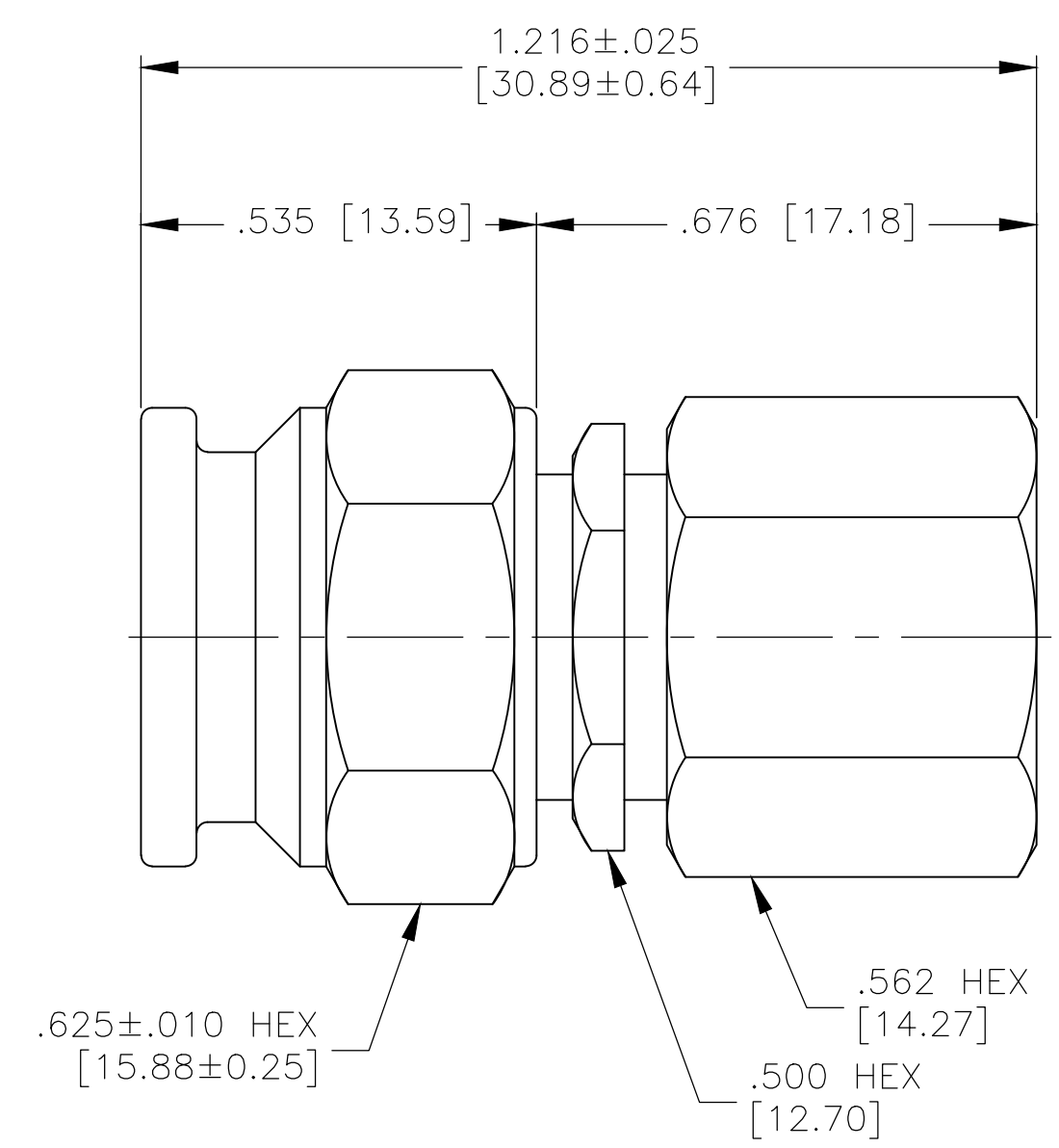
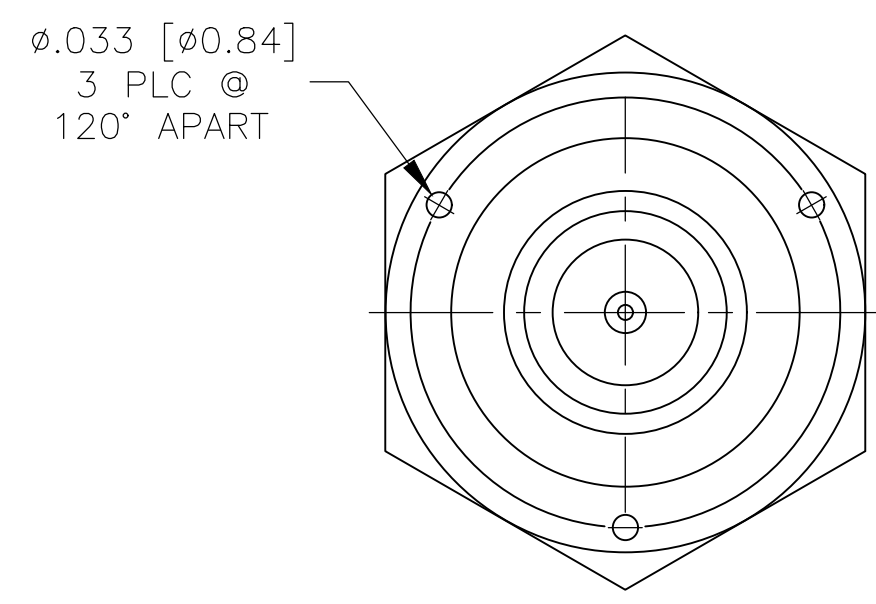
THIS DRAWING IS UNPUBLISHED. RELEASED FOR PUBLICATION  
 © COPYRIGHT - TE Connectivity Ltd. ALL RIGHTS RESERVED.

| REVISIONS |     |                       |        |     |      |
|-----------|-----|-----------------------|--------|-----|------|
| P         | LTR | DESCRIPTION           | DATE   | DWN | APVD |
| A         |     | REV PER ECO 20-000165 | 1-6-19 | CT  | PR   |



AS SHIPPED TO CUSTOMER

| ELECTRICAL   | MECHANICAL                                     | ENVIRONMENTAL   |
|--|--|---|
| Nominal Impedance (Ohms) 50  | Interface Dimensions MIL-STD-348, Fig. 313-1   | TEMPERATURE RATING -65°C TO +125°C  |
| Frequency Range (GHz) DC to 15.0   | Recommended Mating Torque 12-15 LBS            | Vibration MIL-STD-202, Method 204, Condition B                                |
| Volt Rating (VRMS MAX) @ Sea Level 500   | Mating Characteristics:                        | Shock MIL-STD-202, Method 213, Condition I                                    |
| VSWR 1.07 + .007f(GHz)   | Insertion (MAX Lbs) 2.0                        | Thermal Shock MIL-STD-202, Method 107, Condition B, EXCEPT HIGH TEMP +115°C   |
| Insertion Loss (dB MAX) .06 √f GHz   | Withdrawal (MIN Oz) 2.0                        | Moisture Resistance MIL-STD-202, Method 106 Except Vibration Shall Be Omitted |
| RF Leakage (dB MIN) -(90-f GHz)  | Force to Engage and Disengage (In-Lbs MAX) 2.0 | Corrosion - MIL-STD-202, Method 101, Condition B, 5% salt spray               |
| Corona, 70,000 Ft (VRMS MIN) 375   | Center Contact Captivation Axial (Lbs) 175     |   |
| Dielectric Withstanding Voltage (VRMS MIN) @ Sea Level 1,500                                 |  |   |
| Contact Resistance (Milliohms MAX) Center Contact 2.0 Outer Contact 2.0 Cable to Housing 5.0 |  |   |
| RF High Potential @ Sea Level (VRMS MIN @ 5 MHz) 1,000                                       |  |   |
| I.R.(Megohms MIN) 5,000  |  |   |



| COMPONENT                      | MATERIAL   | FINISH  |
|--------------------------------|--|---|
| HOUSING COUPLING NUT CLAMP NUT | STAINLESS STEEL PER ASTM-A484 AND ASTM-A582, TYPE 303                | PASSIVATE PER ASTM-A380                                     |
| DIELECTRIC                     | TFE FLUOROCARBON PER ASTM-D-1457, MIL-P-19468, AND FED. SPEC L-P-403 | N/A   |
| CENTER CONTACT BUSHING         | BERYLLIUM COPPER PER ASTM-B-196, ALLOY C17300                        | GOLD PLATE PER ASTM-B-488 OVER COPPER PLATE PER MIL-C-14550 |
| RETAINING RING                 | BERYLLIUM COPPER PER ASTM-B-196                                      | N/A   |
| GASKET                         | SILICONE RUBBER PER ZZ-R-765   | N/A   |
| O-RING                         | VITON "A" PER MIL-R-45897  | N/A   |

| DESIGNED TO USE          |             |
|--------------------------|-------------|
| ∅.250 SEMI-RIGID CABLE   |             |
| CABLE ENTRY DIAMETER MIN |             |
| CONTACT:                 | .079 [2.01] |
| BUSHING:                 | .253 [6.42] |
| BUSHING:                 | .254 [6.45] |
| BUSHING:                 | .249 [6.32] |
| CLAMP NUT:               | .254 [6.45] |

| DIMENSIONS: |               | TOLERANCES UNLESS OTHERWISE SPECIFIED: |           |
|-------------|---------------|--|-----------|
| INCHES [mm] |               |  |           |
| 0 PLC       | ± -           |  |           |
| 1 PLC       | ± -           |  |           |
| 2 PLC       | ± -           |  |           |
| 3 PLC       | ± .005 [0.13] |  |           |
| 4 PLC       | ± -           |  |           |
| ANGLES      | ± -           |  |           |
| MATERIAL    | SEE TABLE     | FINISH                                 | SEE TABLE |

| THIS DRAWING IS A CONTROLLED DOCUMENT. |            |         |  |  |  |
|--|------------|---------|--|--|--|
| DWN                                    | C.C.THOMAS | 1-22-04 |  |  |  |
| CHK                                    | R.GROSS    | 1-23-04 |  |  |  |
| APVD                                   | R.GROSS    | 1-23-04 |  |  |  |
| PRODUCT SPEC                           |            |         |  |  |  |
| APPLICATION SPEC                       |            |         |  |  |  |
| 31-131                                 |            |         |  |  |  |
| WEIGHT                                 | 0.000000   |         |  |  |  |
| CUSTOMER DRAWING                       |            |         |  |  |  |

ASSEMBLED VIEW

1663258-1  
PART NO.



OST STRAIGHT CABLE PLUG COMPRESSION CLAMP ATTACHMENT

| SIZE  | CAGE CODE | DRAWING NO | RESTRICTED TO |
|-------|-----------|------------|---------------|
| A2    | 00779     | 1663258    | -             |
| SCALE | 5:1       | SHEET      | 1 OF 1        |
| REV   | A         |            |               |