

THIS DRAWING IS UNPUBLISHED. RELEASED FOR PUBLICATION
 © COPYRIGHT - By - ALL RIGHTS RESERVED.

REVISIONS					
P	LTR	DESCRIPTION	DATE	DWN	APVD
0		PROPOSED PRELIMINARY PART NUMBER	10SEP99	BH	JG
A		REV PER 0G3C-0157-00	06APR00	BH	JG
B		REVISED PER ECR-16-017806	16DEC2016	RS	MM
B1		REVISED PER ECO-18-005620	27APR2018	RS	MM

D

C

B

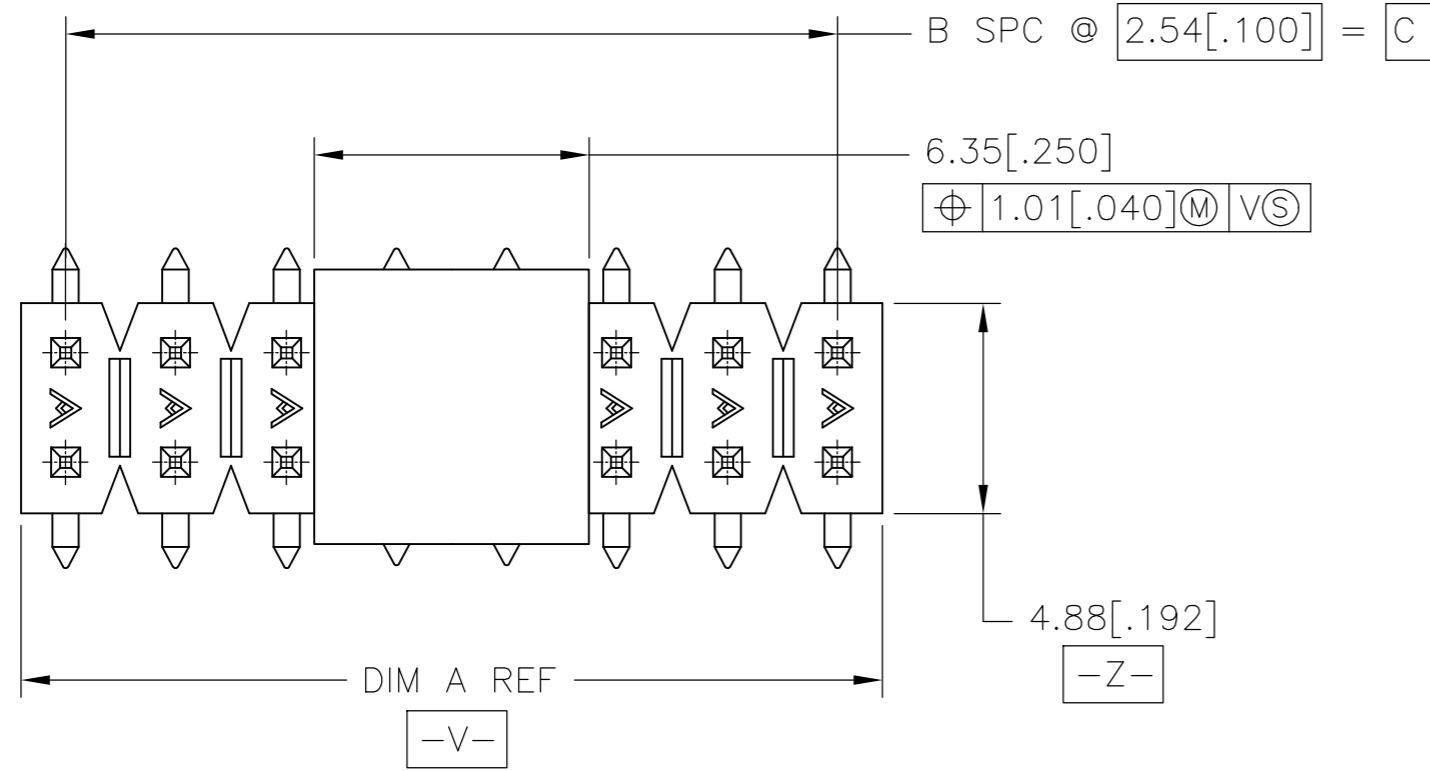
A

D

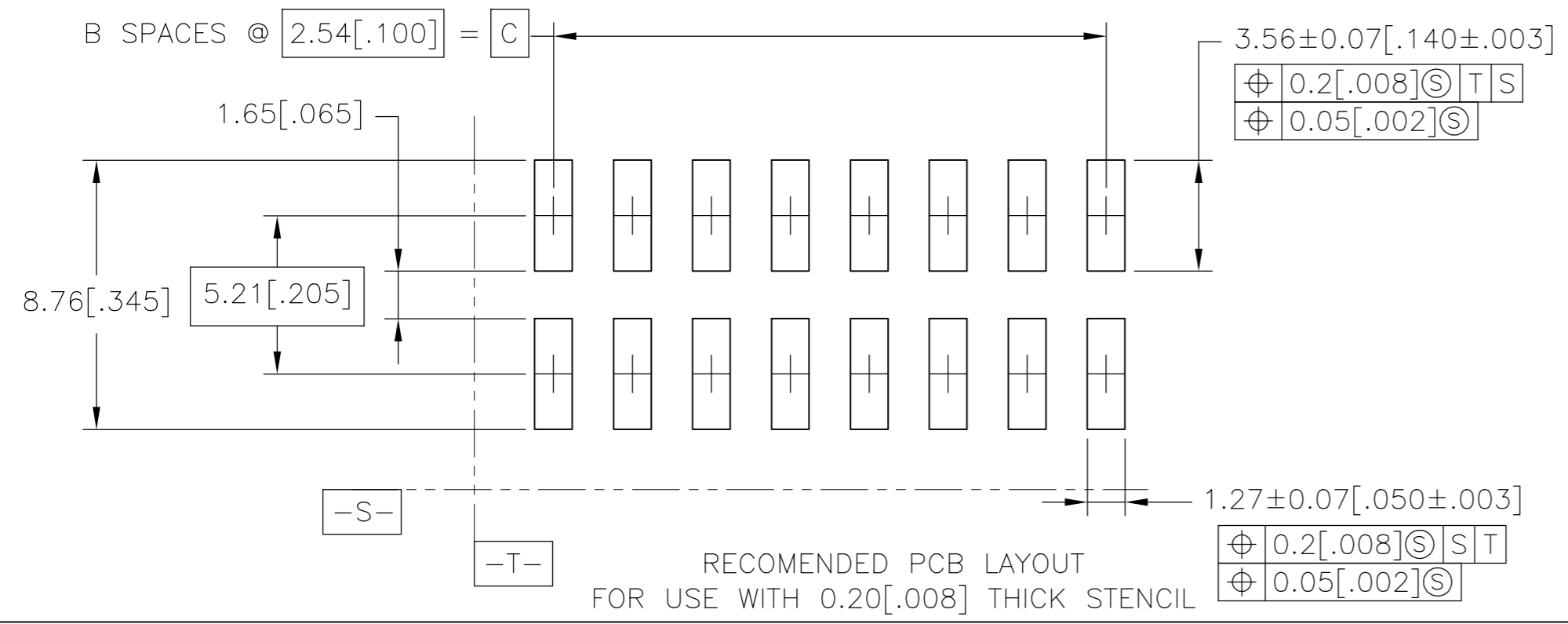
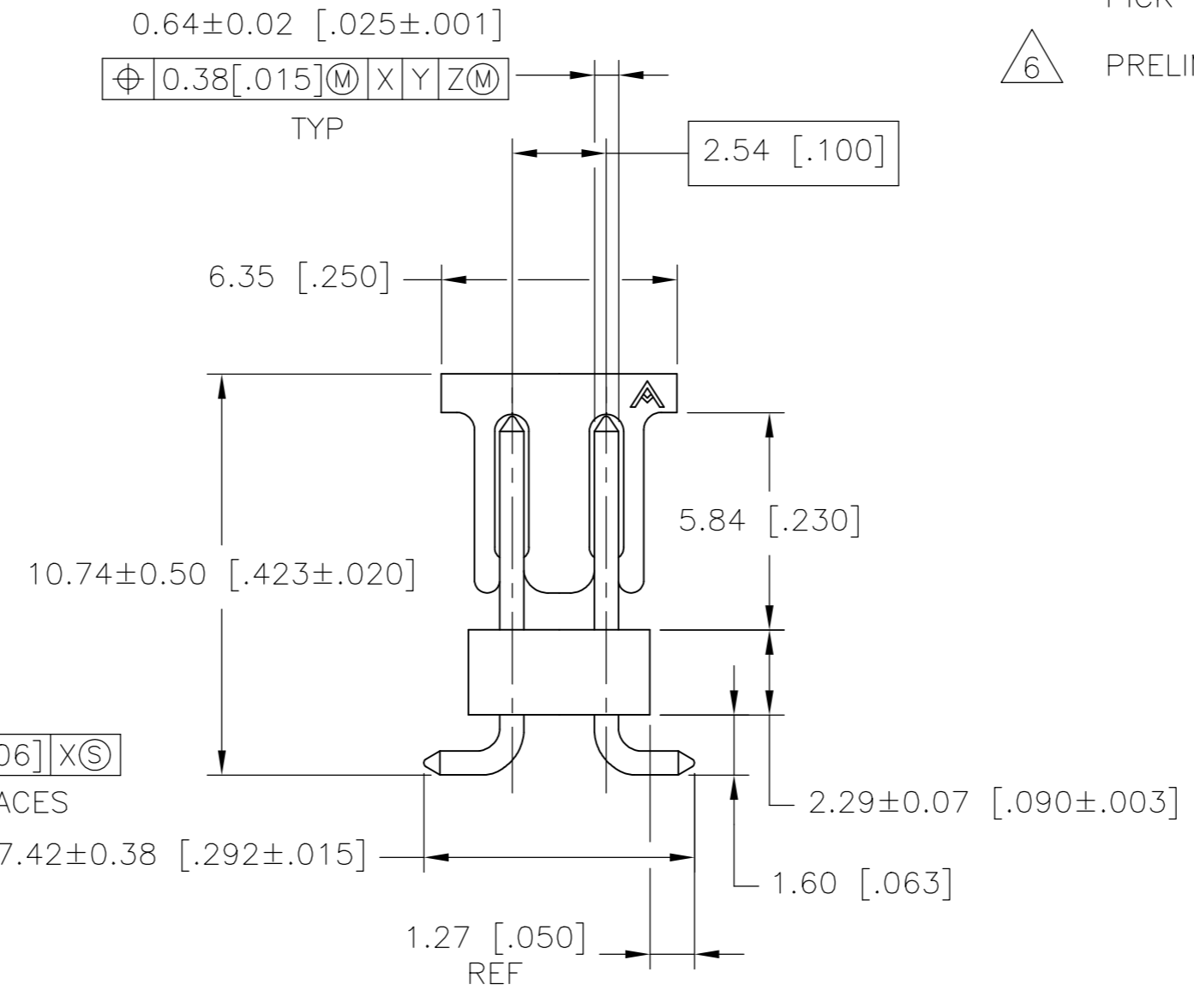
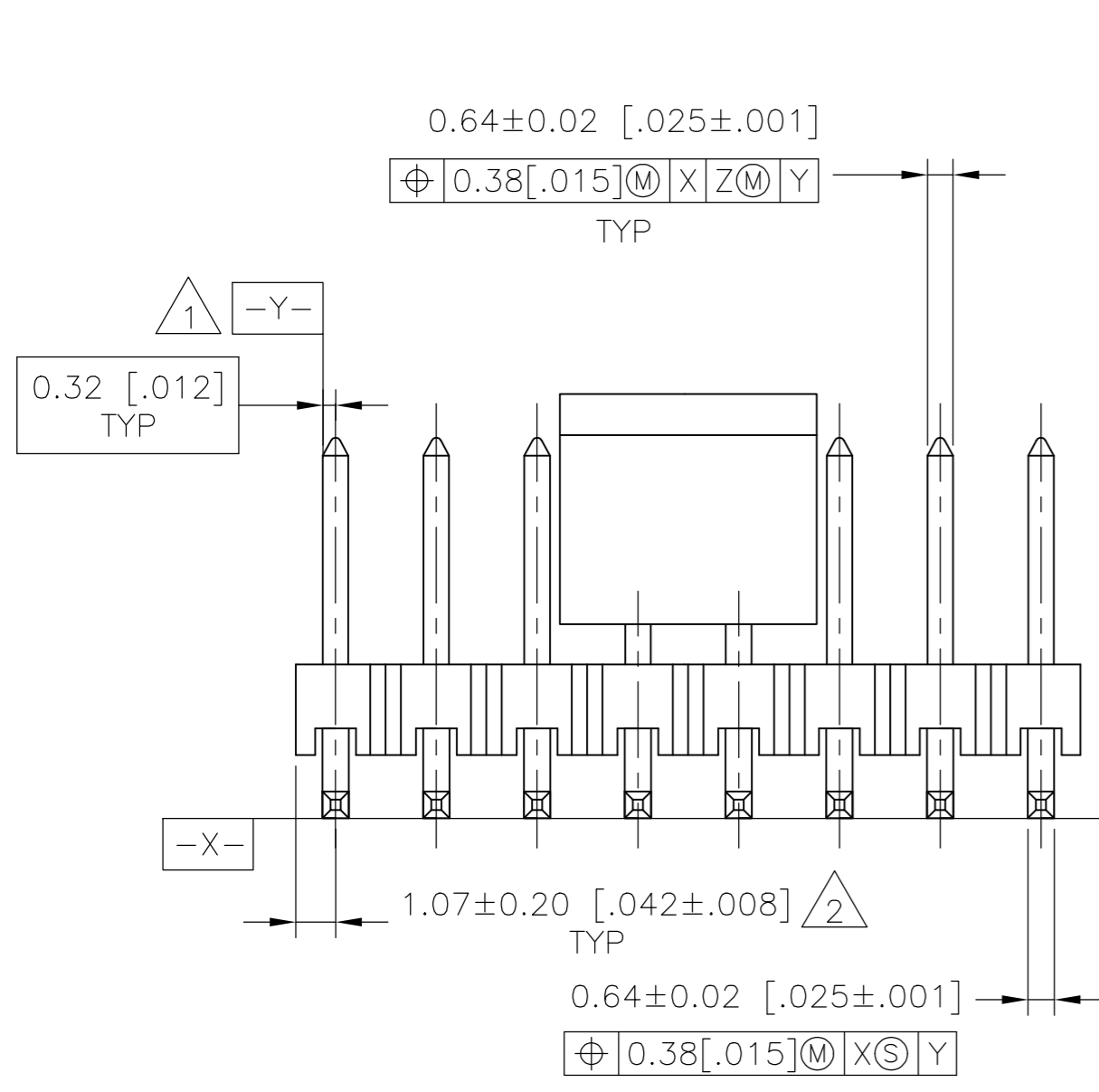
C

B

A



- 1 -Y- SHALL BE THE INTERSECTION OF THE POST AND THE HOUSING.
- 2 THE NOTED DIMENSIONS APPLY FROM THE BASIC DIMENSION (NOT THE POST CENTERLINE) TO THE SURFACE INDICATED.
- 3 0.00762[.000030] GOLD ON CONTACT AREA, 0.00254-0.00508 [.000100-.000200] MATTE TIN ON SOLDER TAIL, ALL OVER 0.00127[.000050] NICKEL.
- 4 PACKAGED IN TUBES.
- 5 HOUSING: LCP, COLOR-BLACK.
POST: COPPER ALLOY.
PICK AND PLACE CAP: PPA, COLOR-BLACK.
- 6 PRELIMINARY PART- NOT RELEASED FOR PRODUCTION.



35.56[1.400]	14	37.69[1.484]	30	1-147307-4	6
33.02[1.300]	13	35.15[1.384]	28	1-147307-3	6
30.48[1.200]	12	32.61[1.284]	26	1-147307-2	6
27.94[1.100]	11	30.07[1.184]	24	1-147307-1	6
25.4[1.000]	10	27.53[1.084]	22	1-147307-0	6
20.32[.800]	8	22.45[.884]	18	147307-9	6
17.78[.700]	7	19.91[.784]	16	147307-8	6
7.62[.300]	3	9.75[.384]	8	147307-7	6
2.54[.100]	1	4.67[.184]	4	147307-6	6
22.86[.900]	9	25.00[.984]	20	147307-5	6
15.24[.600]	6	17.37[.684]	14	147307-4	6
12.7[.500]	5	14.83[.584]	12	147307-3	6
10.16[.400]	4	12.29[.484]	10	147307-2	6
5.08[.200]	2	7.21[.254]	6	147307-1	6
C	B	A	NO. OF POSN.	PART NUMBER	

THIS DRAWING IS A CONTROLLED DOCUMENT.		DWN B. HAYMAKER 10SEP99	TE Connectivity	
DIMENSIONS: mm [INCHES]		CHK J. GESFORD 10SEP99		
TOLERANCES UNLESS OTHERWISE SPECIFIED:		APVD J. GESFORD 10SEP99	NAME	
0 PLC ± -		PRODUCT SPEC	SURFACE MOUNT HDR ASSY, MOD II, B/A, VERT, D/R, 100 C/L, .025 SQ. POST WITH PICK AND PLACE CAP	
1 PLC ± -		APPLICATION SPEC	SIZE	CAGE CODE
2 PLC ± -		WEIGHT	A2	00779
3 PLC ± 0.13[.006]		CUSTOMER DRAWING	DRAWING NO	C=147307
4 PLC ± -		SCALE	1:1	SHEET
ANGLES ± -		SHEET	1 of 1	REV
FINISH		REV	B1	