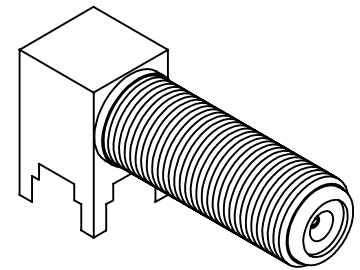
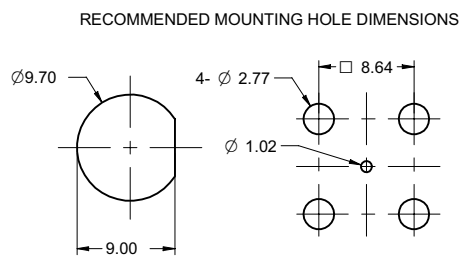
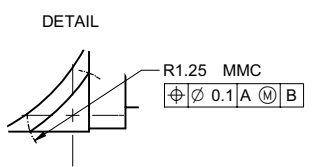
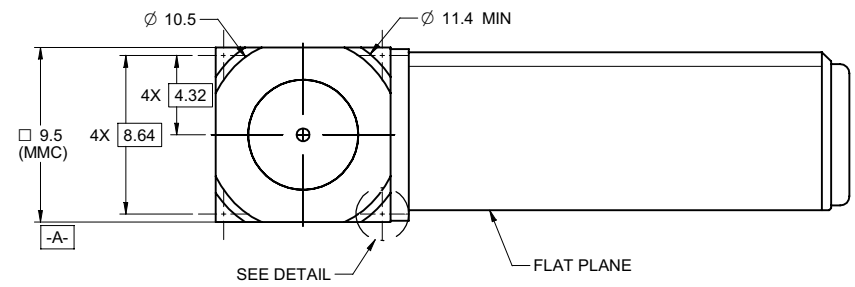
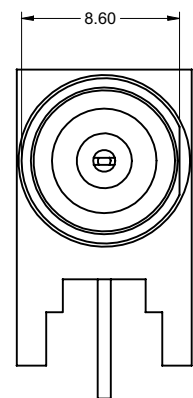
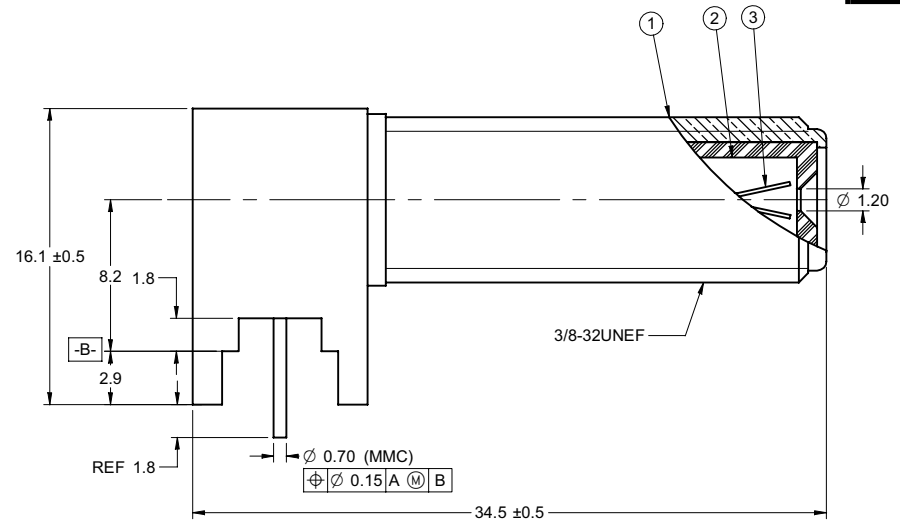


PART NUMBER	ITEM ① BODY	ITEM ② INSULATOR	ITEM ③ CONTACT
25-7651	BRASS TIN PLATED	DELRIN	P BRONZE TIN PLATED

<b>受控 CONTROLLED DOCUMENT</b>			
编号 P/N	25-7651	版本 Rev	日期 Rel'd Date
		0C	Mar 24,08

DRAWING NO. 25-7651	
REVISIONS	
A	RELEASE FOR QUATION 05-26-06 Y W T
B	CHANGE SOME TOLERANCE AND ADD 4, 5 NOTES. 12-18-06 L Y T
C	UPDATE NOTE 08-31-07 L Z T



NOTES:  
TECHNICAL REQUIREMENT REFER TO EMERSON NET WORK POWER CONNECTIVITY SOLUTIONS DOCUMENT P/N 25-0000.

THIS DRAWING TO BE INTERPRETED PER ANSI Y 14.5M - 1994

**COMPANY CONFIDENTIAL**

TOLERANCE UNLESS OTHERWISE SPECIFIED		DRAWN BY LINDA.WU	DATE 08-31-07
DECIMALS	mm	CHECKED BY GARY.ZHG	DATE 08-31-07
X	± 0.5	APPROVED BY THOMAS	DATE 09-20-07
X.X	± 0.2		
X.XX	± 0.1		
ANGLES	± 0.5°	U/M	mm

TITLE RIGHT ANGLE PCB MOUNT F FEMALE	
SHEET 1 OF 1	DRAWING NO. 25-7651
SIZE C	

THIS DRAWING WAS PRODUCED BY COMPUTER, DO NOT SCALE DRAWING OR UPDATE MANUALLY.