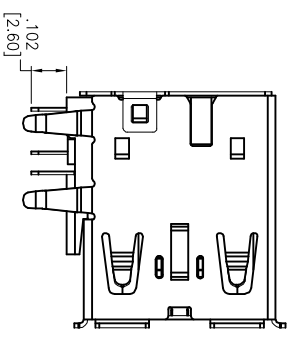
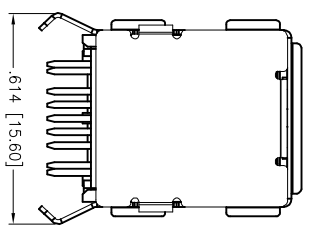
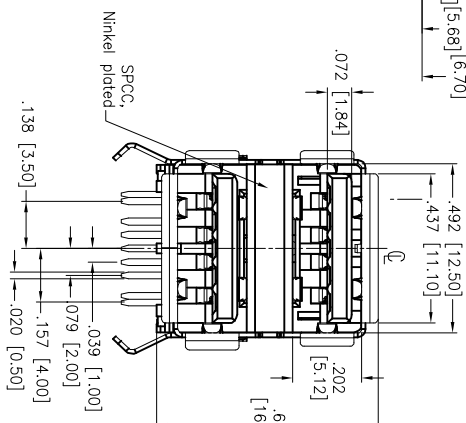
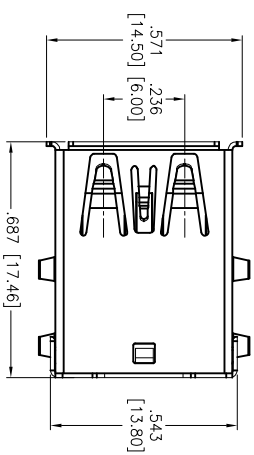
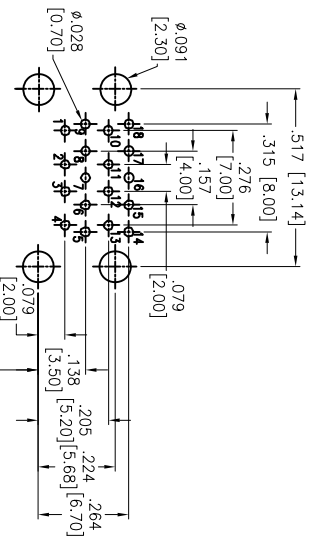


APPROVED: \_\_\_\_\_ DATE: \_\_\_\_\_ TITLE: \_\_\_\_\_

Rev	AWO #	Description	Date	Appr
-		RELEASED	8/20/13	
A		Added USB 3.0 Compliant Note	09/23/16	



RECOMMENDED PCB LAYOUT

SPCC, Nickel plated

Pin Number	Signal Name	Pin Number	Signal Name
1/10	VBUS	5/14	SSRX-
2/11	D-	6/15	SSRX+
3/12	D+	7/16	GND
4/13	GND	8/17	SSTX-
	Shield	9/18	SSTX+

Compliant to USB 3.0 Standard

**SPECIFICATIONS:**

**Material:**  
 Insulator: PBT, Glass reinforced, rated UL 94V-0  
 Insulator color: Blue  
 Contacts: Copper Alloy  
 Shell: Brass, Nickel plated  
 Back Cover: SUS  
 Plating:  
 Gold over Nickel underplate on contact area,  
 Tin over Copper underplate on solder tails.  
**Electrical:**  
 Current rating: 1.8 Amp Pin 1 & Pin 4,  
 0.25 Amp Other Contacts  
 Contact resistance: 30 mΩ max Pin 1 & Pin 4,  
 50 mΩ max Other Contacts.  
**Insulation resistance:** 100 Mohms min.  
 Dielectric withstanding voltage: 100 VAC for 1 minute  
**Mechanical:**  
 Mating Force: 35N Max.  
 Un-mating Force: 10N Min.  
 Durability: 1,500 Mating Cycles  
 Temperature Rating:  
 Operating temperature: 55°C to +85°C  
 Environmental:  
 Lead free, RoHS compliant.

**ADAM TECH**

909 Railway Avenue, Union, NJ 07083  
 Phone: 908-687-5000 Fax: 908-687-5710

UNIVERSAL SERIAL BUS, TYPE A 3.0,  
 RIGHT ANGLE, DUAL PORT

UNLESS OTHERWISE SPECIFIED ALL DIMENSIONS ARE MM		TITLE	
TOLERANCES: EXCEPT AS NOTED		UNIVERSAL SERIAL BUS, TYPE A 3.0, RIGHT ANGLE, DUAL PORT	
INCHES		DATE	
.X ± .10	ØX ± .10	8/20/13	
.XX ± .020	ØXX ± .015	DRAWN AY	
.XXX ± .015	ØXXX ± .010	CHECKED GH	
APPROVALS		APPROVED	
SIZE		PART NO.	
X		USB-A3-D-RA-A	
REF: S00097C		SCALE: NTS	
		SHEET 1 OF 1	
		REV. A	

