

6

5

4

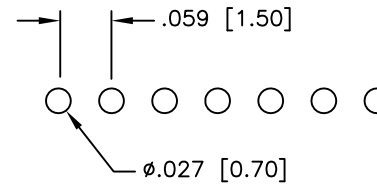
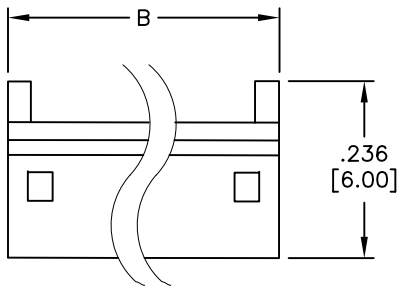
3

2

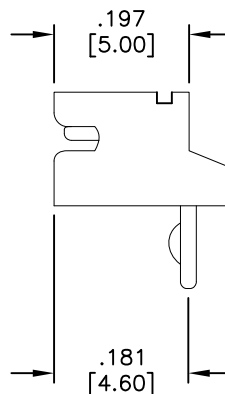
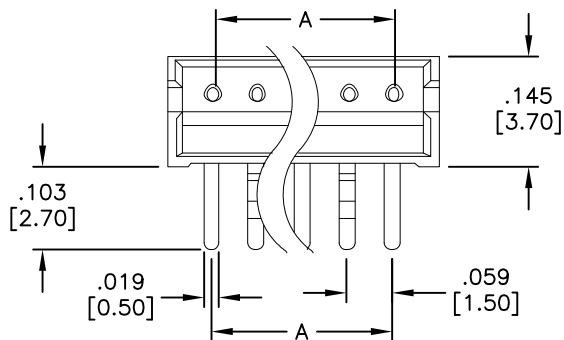
1

APPROVED: _____
 DATE: _____ TITLE: _____

Rev	AWO #	Description	Date	Appr
-		RELEASED	12/22/08	



RECOMMENDED
PCB LAYOUT



SPECIFICATIONS:

Material:
 Insulator: Nylon 66, rated UL 94V-0
 Insulator color: Ivory
 Contacts: Brass

Plating:
 Tin over Nickel underplate overall

Electrical:
 Operating voltage: 100 VAC max
 Current rating: 1.5 Amps max
 Contact resistance: 20 mohms max
 Insulation resistance: 500 Mohms min
 Dielectric withstanding voltage: 500 VAC for 1 minute

Temperature Rating:
 Operating temperature: -25°C to +85°C
 Environmental:
 Lead free, RoHS compliant.



DIMENSIONS

A = .059 [1.50] X No OF POSITIONS - 1
 B = .059 [1.50] X No OF POSITIONS + .059 [1.50]

UNLESS OTHERWISE SPECIFIED ALL DIMENSIONS ARE INCHES [MM] TOLERANCES: EXCEPT AS NOTED		ADAM TECH 909 Rahway Avenue, Union, NJ 07083 Phone: 908-687-5000 Fax: 908-687-5710	
INCHES HOLES .X ± .10 Ø.X ± .10 .XX ± .020 Ø.XX ± .015 .XXX ± .015 Ø.XXX ± .010			
APPROVALS		TITLE	
DRAWN	SS	.059 [1.5mm] HEADER, RIGHT ANGLE	
CHECKED		DATE	
APPROVED		DATE	
SIZE	PART NO.	REV.	
X	15SH-A-XX-TR	-	
REF:	SCALE: NTS	SHEET 1 OF 1	

6

5

4

3

2

1